



UTTAR PRADESH POWER CORPORATION LTD.

Participant ID	WWW.ALLEXAMREVIEW.COM
Participant Name	
Test Center Name	
Test Date	08/11/2023
Test Time	9:00 AM - 12:00 PM
Subject	Technician Electrical

Section : Computer Knowledge - CCC Level of NIELIT

Q.1 Which of the following keyboard shortcuts is used to create a new MS Word 365 document?

- Ans**
- A. Ctrl + N
 - B. Ctrl + O
 - C. Ctrl + D
 - D. Ctrl + F

Question ID : 630680418740

Option 1 ID : 6306801633680

Option 2 ID : 6306801633679

Option 3 ID : 6306801633682

Option 4 ID : 6306801633681

Status : Answered

Chosen Option : A

Q.2 Which of the following options is/are NOT a function of an operating system?

- i) Process management
- ii) User interface
- iii) Memory management
- iv) Translating a high-level language source code into a machine-level code

- Ans**
- A. i and ii only
 - B. ii, iii and iv only
 - C. iv only
 - D. i, ii and iv only

Question ID : 630680418704

Option 1 ID : 6306801633537

Option 2 ID : 6306801633536

Option 3 ID : 6306801633538

Option 4 ID : 6306801633535

Status : Answered

Chosen Option : C

Q.3 Which of the following HTML tags specifies a container for an external (non-HTML) application?

- Ans
- A. <ins>
 - B.
 - C. <embed>
 - D. <nav>

Question ID : 630680418721

Option 1 ID : 6306801633605

Option 2 ID : 6306801633604

Option 3 ID : 6306801633603

Option 4 ID : 6306801633606

Status : Answered

Chosen Option : C

Q.4 In the term 'NTFS', what does the letter 'N' stand for?

- Ans
- A. Notch
 - B. Nearest
 - C. Nano
 - D. New

Question ID : 630680418738

Option 1 ID : 6306801633674

Option 2 ID : 6306801633673

Option 3 ID : 6306801633672

Option 4 ID : 6306801633671

Status : Answered

Chosen Option : D

Q.5 Identify whether the given statements are true or false.

- i) The CSS class selectors are used to specify a group of elements.
- ii) The 'Internal' CSS can be added by using the <style> element in the <head> section.
- iii) The 'External' CSS can be added by using a <link> element to link to an external CSS file.

- Ans
- A. i-False, ii-True, iii-False
 - B. i-True, ii-False, iii-True
 - C. i-True, ii-True, iii-True
 - D. i-False, ii-True, iii-True

Question ID : 630680418722

Option 1 ID : 6306801633610

Option 2 ID : 6306801633609

Option 3 ID : 6306801633607

Option 4 ID : 6306801633608

Status : Answered

Chosen Option : C

Q.6 Identify whether the given statements are true or false.

- i) There are different types of virtual reality systems, but they all share common characteristics such as the ability to allow the person to view three-dimensional images.
ii) CAVE stands for Cave Automatic Virtual Environment.

- Ans**
- A. i-True, ii-False
 - B. i-True, ii-True
 - C. i-False, ii-False
 - D. i-False, ii-True

Question ID : 630680418746

Option 1 ID : 6306801633705

Option 2 ID : 6306801633703

Option 3 ID : 6306801633706

Option 4 ID : 6306801633704

Status : Answered

Chosen Option : B

Q.7 What is the expected output of the following Python program?

```
def my_function(fname):  
    print(* fname + " Refsnes")  
my_function("Emil")  
my_function("Tobias")  
my_function("Linus")
```

- Ans**
- A. *Emil Refsnes
*Tobias Refsnes
*Linus Refsnes
 - B. Emil Refsnes
Tobias Refsnes
Linus Refsnes
 - C. Emil Refsnes
Tobias Refsnes
Linus Refsnes
 - D. *Emil Refsnes
*Tobias Refsnes
*Linus Refsnes

Question ID : 630680418734

Option 1 ID : 6306801633657

Option 2 ID : 6306801633656

Option 3 ID : 6306801633655

Option 4 ID : 6306801633658

Status : Answered

Chosen Option : A

Q.8 Match the columns.

JavaScript events	Descriptions
a) oncanplay	i) This event triggers before the document loads.
b) onchange	ii) This event triggers when media can start playing but might have to stop for buffering.
c) ondragend	iii) This event triggers when an element changes.
d) onblur	iv) This event triggers at the end of a drag operation.
e) onbeforeunload	v) This event triggers when the window loses focus.

- Ans
- A. a-i, b-v, c-iv, d-iii, e-ii
 - B. a-iii, b-ii c-iv, d-v, e-i
 - C. a-ii, b-iii, c-iv, d-v, e-i
 - D. a-ii, b-i, c-iii, d-iv, e-v

Question ID : 630680418724
 Option 1 ID : 6306801633616
 Option 2 ID : 6306801633618
 Option 3 ID : 6306801633615
 Option 4 ID : 6306801633617
 Status : Answered
 Chosen Option : C

Q.9 Identify which of the following programming codes expresses Imperative programming and Declarative programming.

```
i)
total = 0
List1 = [9,10,11,12,13,14]
for x in List1:
    total += x
print(total)
```

```
ii)
list1 = [9,10,11,12,13,14]
total = sum(list1)
print(total)
```

- Ans
- A. i-Declarative programming, ii-Declarative programming
 - B. i-Imperative programming, ii-Declarative programming
 - C. i-Imperative programming, ii-Imperative programming
 - D. i-Declarative programming, ii-Imperative programming

Question ID : 630680418726
 Option 1 ID : 6306801633626
 Option 2 ID : 6306801633623
 Option 3 ID : 6306801633625
 Option 4 ID : 6306801633624
 Status : Answered
 Chosen Option : B

Q.10 What is the output of the following Python code?

```
Import re
re.sub(r'abc', '*', 'abcdef abcxyz')
```

- Ans
- A. '*def xyz*'
 - B. 'def* *xyz'
 - C. '*def *xyz'
 - D. '*def *xyz*'

Question ID : 630680418737

Option 1 ID : 6306801633668

Option 2 ID : 6306801633669

Option 3 ID : 6306801633667

Option 4 ID : 6306801633670

Status : Answered

Chosen Option : A

Q.11 Which of the following resources are required to create a blog?

- i) Domain name
- ii) Host
- iii) Content
- iv) Approvals from security agencies
- v) DHTML
- vi) CSS
- vii) MS Word

- Ans
- A. i, ii, and iii only
 - B. i, ii, iii and vii only
 - C. i, ii, iii, and v only
 - D. i, ii, iii, iv, v, vi and vii

Question ID : 630680418741

Option 1 ID : 6306801633685

Option 2 ID : 6306801633684

Option 3 ID : 6306801633686

Option 4 ID : 6306801633683

Status : Answered

Chosen Option : D

Q.12 Match the columns.

MS-Excel functions	Descriptions
a) =TODAY()+1	i) This function returns the number of days between 2 days.
b) =COUNTIF()	ii) This function inserts the next date from the system date.
c) =WEEKDAY()	iii) This function counts the cells based on the criteria given.
d) =DAYS()	iv) This function returns a number from 1 to 7, identifying the day of the week of a date.

- Ans**
- A. a-i, b-ii, c-iv, d- iii
- B. a-iii, b-i, c-iv, d-ii
- C. a- ii, b-iii, c-iv, d-i
- D. a-ii, b-i, c-iii, d-iv

Question ID : 630680418708

Option 1 ID : 6306801633552

Option 2 ID : 6306801633554

Option 3 ID : 6306801633551

Option 4 ID : 6306801633553

Status : Answered

Chosen Option : C

Q.13 Identify whether the following statements are true or false.

i) The e-Procurement Mission Mode Project (MMP) covers all aspects of procurement from the indent of tender-to-tender preparation, bidding, bid evaluation but excludes the award of contract.

ii) The e-Procurement Mission Mode Project (MMP) enhances transparency in government procurement.

iii) UMANG (Unified Mobile Application for New-Age Governance) is an initiative under the Digital India program to develop a common, unified platform and mobile app to facilitate a single point of access to all government services.

- Ans**
- A. i-True, ii-True, iii-False
- B. i-True, ii-False, iii-True
- C. i-False, ii-True, iii-False
- D. i-False, ii-True, iii-True

Question ID : 630680418715

Option 1 ID : 6306801633579

Option 2 ID : 6306801633581

Option 3 ID : 6306801633582

Option 4 ID : 6306801633580

Status : Answered

Chosen Option : D

Q.14 Identify whether the given statements are true or false.

- i) Design of buttons on a website should be such that they are either clickable or non-clickable.
- ii) While designing websites, red or pink should not be used as a font colour because red is strongly associated with error messages and mistakes.
- iii) While designing websites, avoid changing icons to less recognisable images as this will just confuse and annoy customers.

- Ans**
- A. i-True, ii-False, iii-True
 - B. i-True, ii-True, iii-True
 - C. i-False, ii-True, iii-True
 - D. i-False, ii-True, iii-False

Question ID : 630680418718
Option 1 ID : 6306801633593
Option 2 ID : 6306801633591
Option 3 ID : 6306801633592
Option 4 ID : 6306801633594
Status : Answered
Chosen Option : B

Q.15 Which of the following software is used to calculate loan instalments?

- Ans**
- A. Notepad
 - B. Spreadsheets
 - C. PowerPoint
 - D. MS-Infopath2007

Question ID : 630680418716
Option 1 ID : 6306801633585
Option 2 ID : 6306801633583
Option 3 ID : 6306801633584
Option 4 ID : 6306801633586
Status : Answered
Chosen Option : B

Q.16 Which of the following services is/are provided by system calls?

- i) Process creation and management
- ii) Device handling (I/O)
- iii) Protection
- iv) Networking

- Ans**
- A. i only
 - B. i and ii only
 - C. i, ii, iii and iv
 - D. ii, iii and iv only

Question ID : 630680418705
Option 1 ID : 6306801633542
Option 2 ID : 6306801633541
Option 3 ID : 6306801633539
Option 4 ID : 6306801633540
Status : Answered
Chosen Option : B

Q.17 Match the columns.

Three Vs of big data	Descriptions
a) Volume	i) The many types of data that are available
b) Velocity	ii) Data of unknown value, such as Twitter data feeds, clickstreams on a web page or a mobile app or sensor-enabled equipment
c) Variety	iii) The fast rate at which data are received and (perhaps) acted on

- Ans
- A. a-iii, b-ii, c-i
 - B. a-ii, b-i, c-iii
 - C. a-i, b-iii, c-ii
 - D. a-ii, b-iii, c-i

Question ID : 630680418747
 Option 1 ID : 6306801633708
 Option 2 ID : 6306801633709
 Option 3 ID : 6306801633710
 Option 4 ID : 6306801633707
 Status : Answered
 Chosen Option : D

Q.18 Robotic process automation (RPA), also known as _____, uses automation technologies to mimic back-office tasks of human workers, such as extracting data, filling in forms and moving files.

- Ans
- A. hardware robotics
 - B. software robotics
 - C. firmware
 - D. shareware

Question ID : 630680418749
 Option 1 ID : 6306801633716
 Option 2 ID : 6306801633715
 Option 3 ID : 6306801633717
 Option 4 ID : 6306801633718
 Status : Answered
 Chosen Option : B

Q.19 Match the columns.

Cryptography techniques	Descriptions
a) Symmetric-Key Encipherment	i) Secret data that is covered under a colour image
b) Asymmetric-Key Encipherment	ii) This type of encipherment uses a single secret key for both encryption and decryption.
c) Hashing	iii) This type of encipherment uses two keys, one public key and one private key.
d) Steganography	iv) In this technique, a fixed-length message digest is created out of a variable-length message.

- Ans**
- A. a-ii, b-iv, c-iii, d-i
 - B. a-ii, b-iii, c-iv, d-i
 - C. a-iv, b-iii, c-i, d-ii
 - D. a-iii, b-ii, c-iv, d-i

Question ID : **630680418717**
 Option 1 ID : **6306801633589**
 Option 2 ID : **6306801633587**
 Option 3 ID : **6306801633590**
 Option 4 ID : **6306801633588**
 Status : **Answered**
 Chosen Option : **D**

Q.20 A/An _____ is a step-by-step procedure, which defines a set of instructions to be executed in a certain order to get the desired output.

- Ans**
- A. order
 - B. algorithm
 - C. sequence
 - D. protocol

Question ID : **630680418727**
 Option 1 ID : **6306801633630**
 Option 2 ID : **6306801633627**
 Option 3 ID : **6306801633629**
 Option 4 ID : **6306801633628**
 Status : **Answered**
 Chosen Option : **B**

Q.21 Which of the following are types of 3D printing?

- i) Stereolithography (SLA)
- ii) Selective laser sintering (SLS)
- iii) Fused deposition modelling (FDM)
- iv) Digital light process (DLP)
- v) PolyJet
- vi) DotMatrix

- Ans
- A. i, ii, iv and v only
 - B. i, ii, iii, and iv only
 - C. i, iii, iv and v only
 - D. i, ii, iii, iv and v only

Question ID : 630680418752
Option 1 ID : 6306801633729
Option 2 ID : 6306801633728
Option 3 ID : 6306801633730
Option 4 ID : 6306801633727
Status : Answered
Chosen Option : D

Q.22 Which of the following keyboard shortcuts is used to start a presentation from the current slide in MS PowerPoint 365?

- Ans
- A. F6
 - B. F5
 - C. Shift + F5
 - D. F9

Question ID : 630680418710
Option 1 ID : 6306801633561
Option 2 ID : 6306801633559
Option 3 ID : 6306801633560
Option 4 ID : 6306801633562
Status : Answered
Chosen Option : C

Q.23 Identify whether the given statements are true or false.

- i) A microcontroller is a programmable digital processor.
- ii) A microprocessor is defined as a multipurpose, programmable logic device that has the capability to read binary instructions from memory, accept binary data as input and thus process that data.
- iii) A microcontroller uses an internal controlling bus.

- Ans
- A. i-True, ii-True, iii-True
 - B. i-True, ii-False, iii-True
 - C. i-False, ii-True, iii-False
 - D. i-False, ii-True, iii-True

Question ID : 630680418744
Option 1 ID : 6306801633695
Option 2 ID : 6306801633697
Option 3 ID : 6306801633698
Option 4 ID : 6306801633696
Status : Answered
Chosen Option : A

Q.24 Which of the following software is used for mathematical calculations, statistical calculations and preparation of graphs?

- Ans**
- A. WordPad
 - B. MS Word
 - C. MS Excel
 - D. MS PowerPoint

Question ID : 630680418706
Option 1 ID : 6306801633546
Option 2 ID : 6306801633543
Option 3 ID : 6306801633544
Option 4 ID : 6306801633545
Status : Answered
Chosen Option : C

Q.25 In Python, modules are simply files with the a _____ extension containing a Python code that can be imported inside another Python program.

- Ans**
- A. .lst
 - B. .txt
 - C. .dat
 - D. .py

Question ID : 630680418739
Option 1 ID : 6306801633676
Option 2 ID : 6306801633678
Option 3 ID : 6306801633677
Option 4 ID : 6306801633675
Status : Answered
Chosen Option : D

Q.26 Which of the following are web browser software?

- Ans**
- A. ChromeOS
 - B. Vivaldi
 - C. Linux
 - D. Ubuntu

Question ID : 630680418725
Option 1 ID : 6306801633621
Option 2 ID : 6306801633619
Option 3 ID : 6306801633622
Option 4 ID : 6306801633620
Status : Answered
Chosen Option : A

Q.27 What is the correct sequence of the following units of computer memory measurement (from the lowest to the highest)?

- a) Yotta Byte
- b) Zetta Byte
- c) Exa Byte
- d) Peta Byte
- e) Tera Byte
- f) Mega Byte

- Ans**
- A. f, e, d, c, a, b
 - B. f, e, d, c, b, a
 - C. f, e, d, b, c, a
 - D. f, e, a, b, c, d

Question ID : **630680418703**

Option 1 ID : **6306801633534**

Option 2 ID : **6306801633533**

Option 3 ID : **6306801633532**

Option 4 ID : **6306801633531**

Status : **Answered**

Chosen Option : **B**

Q.28 Identify whether the given statements are true or false.

- i) The os module and the submodule os.path contain functions for working with files and directories.
- ii) The os.walk function allows you to scan through a directory and all of its subdirectories.
- iii) The sys module has a function called exit that can be used to quit your program.

- Ans**
- A. i-False, ii-True, iii-True
 - B. i-False, ii-True, iii-False
 - C. i-True, ii-True, iii-True
 - D. i-True, ii-False, iii-True

Question ID : **630680418735**

Option 1 ID : **6306801633660**

Option 2 ID : **6306801633662**

Option 3 ID : **6306801633659**

Option 4 ID : **6306801633661**

Status : **Answered**

Chosen Option : **C**

Q.29 Identify whether the given statements are true or false.

- i) In Python language, 'tuples' are a data type that belongs to the sequence data type category.
- ii) The Sequence data types are used to store data in containers in the Python computer language.
- iii) In Python, Strings are arrays of bytes representing Unicode characters.

- Ans**
- A. i-True, ii-True, iii-True
 - B. i-False, ii-True, iii-True
 - C. i-True, ii-False, iii-True
 - D. i-False, ii-True, iii-False

Question ID : **630680418731**

Option 1 ID : **6306801633643**

Option 2 ID : **6306801633644**

Option 3 ID : **6306801633645**

Option 4 ID : **6306801633646**

Status : **Answered**

Chosen Option : **A**

Q.30 What is the output of the following Python lambda function statement?

```
x = lambda a, b : a * b  
print(x(5*2, 6*2))
```

- Ans**
- A. 30
 - B. 10
 - C. 120
 - D. 34

Question ID : **630680418733**

Option 1 ID : **6306801633652**

Option 2 ID : **6306801633654**

Option 3 ID : **6306801633651**

Option 4 ID : **6306801633653**

Status : **Answered**

Chosen Option : **C**

Q.31 Identify whether the given statements are true or false.

- i) The tabindex attribute specifies the tab order of an element in HTML.
- ii) The accesskey HTML attribute allows web developers to assign certain keyboard shortcuts to web elements.
- iii) The 'class' attribute of the HTML tag is a global attribute.

- Ans**
- A. i-False, ii-True, iii-False
 - B. i-False, ii-True, iii-True
 - C. i-True, ii-False, iii-True
 - D. i-True, ii-True, iii-True

Question ID : **630680418720**

Option 1 ID : **6306801633602**

Option 2 ID : **6306801633600**

Option 3 ID : **6306801633601**

Option 4 ID : **6306801633599**

Status : **Answered**

Chosen Option : **D**

Q.32 What is the expected output of the following Python code?

```
import numpy as npymat
temparr = npymat .array( [[ 1, 2, 3],
                          [ 4, 2, 5]] )
print("No. of dimensions: ", temparr .ndim)
print("Shape of array: ", temparr .shape)
print("Size of array: ", temparr .size)
```

Ans

- No. of dimensions: 2
- A. Shape of array: (3, 2)
Size of array: 6
- No. of dimensions: 1
- B. Shape of array: (2, 3)
Size of array: 6
- No. of dimensions: 2
- C. Shape of array: (2, 3)
Size of array: 2
- No. of dimensions: 2
- D. Shape of array: (2, 3)
Size of array: 6

Question ID : 630680418742

Option 1 ID : 6306801633689

Option 2 ID : 6306801633688

Option 3 ID : 6306801633690

Option 4 ID : 6306801633687

Status : Not Answered

Chosen Option : --

Q.33 Identify whether the following statements are true or false.

- i) The World Wide Web (WWW) is a repository of information linked together from points all over the world.
- ii) The data link layer adds reliability to the physical layer by adding mechanisms to detect and retransmit damaged or lost frames.
- iii) The transport layer divides the stream of bits received from the network layer into manageable data units called frames.

Ans

- A. i-False, ii-True, iii-True
- B. i-True, ii-False, iii-True
- C. i-True, ii-True, iii-False
- D. i-True, ii-True, iii-True

Question ID : 630680418712

Option 1 ID : 6306801633568

Option 2 ID : 6306801633570

Option 3 ID : 6306801633569

Option 4 ID : 6306801633567

Status : Answered

Chosen Option : D

Q.34 Identify whether the following statements are true or false.

- i) Switching at the network layer on the internet uses the datagram approach to packet switching.
- ii) The Internet Protocol version 4 (IPv4) is the delivery mechanism used by the TCP/IP models.
- iii) IPV4 addresses are represented by 8 bytes.

- Ans**
- A. i-False, ii-True, iii-True
 - B. i-True, ii-False, iii-True
 - C. i-True, ii-True, iii-False
 - D. i-False, ii-False, iii-True

Question ID : 630680418711

Option 1 ID : 6306801633564

Option 2 ID : 6306801633565

Option 3 ID : 6306801633563

Option 4 ID : 6306801633566

Status : Answered

Chosen Option : C

Q.35 Which of the following validations is expected from the given JavaScript function?

```
<script>
function validateemail()
{
var x=document.theform.email.value;
var attheposition=x.indexOf("@");
var dotposition=x.lastIndexOf(".");
if (attheposition<1 || dotposition<attheposition+2 || dotposition+2>=x.length){
alert("Please enter a valid e-mail address ");
return false;
}
}
</script>
<body>
<form name="theform" method="post" action="#" onsubmit="return validateemail();">
Email: <input type="text" name="email"><br/>
<input type="submit" value="register">
</form>
```

- Ans**
- A. Email ID must contain the @ and . character, at least one character before and after the @ and at least two characters after the . (dot).
 - B. Email ID must contain the @ and . character, at least one character before and after the @ and at least four characters after the . (dot).
 - C. Email ID must contain the @ and . character, at least three characters before and after the @ and at least two characters after the . (dot).
 - D. Email ID must contain the @ and .com character, at least one character before and after the @ and at least two characters after the . (dot).

Question ID : 630680418723

Option 1 ID : 6306801633611

Option 2 ID : 6306801633614

Option 3 ID : 6306801633613

Option 4 ID : 6306801633612

Status : Answered

Chosen Option : A

Q.36 Which of the following is/are key elements of block chain technology?

- i) Distributed ledger technology
- ii) Immutable records
- iii) Smart contracts

Ans A. i, ii and iii

B. i and ii only

C. i only

D. ii only

Question ID : 630680418748

Option 1 ID : 6306801633714

Option 2 ID : 6306801633712

Option 3 ID : 6306801633711

Option 4 ID : 6306801633713

Status : Answered

Chosen Option : A

Q.37 Which of the following is NOT an application of an IoT?

Ans A. Smartweed

B. Smart healthcare

C. Smart pollution control

D. Smart vehicles

Question ID : 630680418750

Option 1 ID : 6306801633722

Option 2 ID : 6306801633721

Option 3 ID : 6306801633720

Option 4 ID : 6306801633719

Status : Answered

Chosen Option : A

Q.38 Identify whether the given statements are true or false.

- i) In Python programming, tuple items are ordered.
- ii) In Python programming, we cannot change, add or remove items after the tuple has been created.
- iii) In Python programming, tuple does not allow duplicate values.

Ans A. i-True, ii-False, iii-True

B. i-False, ii-True, iii-False

C. i-False, ii-True, iii-True

D. i-True, ii-True, iii-False

Question ID : 630680418732

Option 1 ID : 6306801633649

Option 2 ID : 6306801633650

Option 3 ID : 6306801633648

Option 4 ID : 6306801633647

Status : Answered

Chosen Option : A

Q.39 What will be the total number of cells of an MS Word 365 table if the number of rows is 13 and the number of columns is 17?

- Ans
- A. 210
 - B. 221
 - C. 211
 - D. 212

Question ID : 630680418707
Option 1 ID : 6306801633549
Option 2 ID : 6306801633547
Option 3 ID : 6306801633550
Option 4 ID : 6306801633548
Status : Answered
Chosen Option : B

Q.40 The Internet of Things (IoT) describes the network of physical objects, referred to as _____, that are embedded with sensors.

- Ans
- A. intermediate system
 - B. components
 - C. things
 - D. routers

Question ID : 630680418743
Option 1 ID : 6306801633693
Option 2 ID : 6306801633692
Option 3 ID : 6306801633691
Option 4 ID : 6306801633694
Status : Answered
Chosen Option : B

Q.41 A/An _____ is an integrated development environment (IDE) that comes with Python.

- Ans
- A. Visual studio
 - B. NetBeans
 - C. IDLE
 - D. Datagrip

Question ID : 630680418729
Option 1 ID : 6306801633637
Option 2 ID : 6306801633636
Option 3 ID : 6306801633635
Option 4 ID : 6306801633638
Status : Answered
Chosen Option : B

Q.42 Which of the following statements is/are true about module in Python?

- i) It is a file containing Python definitions and statements.
- ii) It can define functions, classes and variables.
- iii) It can contain runnable codes.

- Ans**
- A. i only
 - B. i and ii only
 - C. i, ii and iii
 - D. i and iii only

Question ID : 630680418736
Option 1 ID : 6306801633664
Option 2 ID : 6306801633665
Option 3 ID : 6306801633663
Option 4 ID : 6306801633666
Status : Answered
Chosen Option : C

Q.43 Which of the following cloud computing types offers a higher level of abstraction to make a cloud easily programmable?

- Ans**
- A. Infrastructure as a Service and Software as a Service
 - B. Software as a Service
 - C. Infrastructure as a Service
 - D. Platform as a Service

Question ID : 630680418745
Option 1 ID : 6306801633702
Option 2 ID : 6306801633701
Option 3 ID : 6306801633699
Option 4 ID : 6306801633700
Status : Answered
Chosen Option : D

Q.44 Amitabh has sent an email to many recipients with their email addresses in the To, Cc or Bcc field. Which of the following statements is true?

- Ans**
- A. The recipients whose email addresses are in the Cc field can see the email addresses in To and Bcc fields.
 - B. The recipients whose email addresses are in the Bcc field can see the email addresses in To and Cc fields.
 - C. The recipients whose email addresses are in the To field can see the email addresses in Cc and Bcc fields.
 - D. All the recipients can see the email addresses in To, Cc and Bcc fields.

Question ID : 630680418714
Option 1 ID : 6306801633575
Option 2 ID : 6306801633577
Option 3 ID : 6306801633576
Option 4 ID : 6306801633578
Status : Not Answered
Chosen Option : --

Q.45 निम्नलिखित पायथन प्रोग्राम (Python program) का अपेक्षित आउटपुट क्या है?

```
for n in range(2, 5):
    for x in range(2, n):
        if n % x == 0:
            print(n, 'equals', x, '*', n//x)
            break
        else:
            print(n, 'is a prime number')
```

- Ans
- A. 2 * 2 बराबर 4 होता है
 - B. 5 एक अभाज्य संख्या है
 - C. 3 एक अभाज्य संख्या है
 - D. 2 * 2 बराबर 4 होता है

Question ID : 630680418730

Option 1 ID : 6306801633641

Option 2 ID : 6306801633642

Option 3 ID : 6306801633640

Option 4 ID : 6306801633639

Status : Not Answered

Chosen Option : --

Q.46 Which of the following are chart types in MS Excel 365?

- i) Bubble
- ii) Scatter
- iii) Area
- iv) Radar charts
- v) Surface chart
- vi) Doughnut

- Ans
- A. i, ii, iii, iv, v and vi
 - B. i, ii, v and vi only
 - C. i, ii, iii and vi only
 - D. ii, iii, v and vi only

Question ID : 630680418709

Option 1 ID : 6306801633555

Option 2 ID : 6306801633556

Option 3 ID : 6306801633557

Option 4 ID : 6306801633558

Status : Answered

Chosen Option : A

Q.47 Which of the following software is/are HTML web editors?

- i) Atom
- ii) Sublime Text
- iii) Visual Studio Code
- iv) Notepad++
- v) JDK
- vi) Safari

Ans A. i, ii, iii and iv only
 B. i, ii, and iii only
 C. i, ii, iii, iv, v and vi
 D. iv only

Question ID : 630680418719
Option 1 ID : 6306801633596
Option 2 ID : 6306801633597
Option 3 ID : 6306801633595
Option 4 ID : 6306801633598
Status : Answered
Chosen Option : B

Q.48 Which of the following is NOT a part of CIA?

Ans A. Confidentiality
 B. Authorisation
 C. Integrity
 D. Authenticity

Question ID : 630680418751
Option 1 ID : 6306801633725
 Option 2 ID : 6306801633723
Option 3 ID : 6306801633726
Option 4 ID : 6306801633724
Status : Answered
Chosen Option : B

Q.49 What is the class address of the following IP address?

55.10.200.55

Ans A. Class D
 B. Class A
 C. Class B
 D. Class C

Question ID : 630680418713
Option 1 ID : 6306801633571
Option 2 ID : 6306801633572
Option 3 ID : 6306801633573
Option 4 ID : 6306801633574
Status : Answered
Chosen Option : A

Q.50 Which of the following options are valid for Python programming language?

- i) An interpretation-based language
- ii) An object-oriented language
- iii) A high-level programming language
- iv) A machine-dependent language

Ans A. i only

B. i, ii and iii only

C. i and ii only

D. i, ii, iii and iv

Question ID : 630680418728

Option 1 ID : 6306801633634

Option 2 ID : 6306801633632

Option 3 ID : 6306801633633

Option 4 ID : 6306801633631

Status : Answered

Chosen Option : D

Section : General Study & Logical Reasoning

Q.1 Alauddin Khalji, after consolidating his position and firmly establishing himself at Delhi, undertook his first expedition in the region of Gujarat in _____.

Ans A. 1299

B. 1399

C. 1099

D. 1199

Question ID : 630680418753

Option 1 ID : 6306801633733

Option 2 ID : 6306801633734

Option 3 ID : 6306801633731

Option 4 ID : 6306801633732

Status : Not Answered

Chosen Option : --

Q.2 Select the option that is related to the third letter cluster in the same way as the second letter cluster is related to the first letter cluster.

CEGI : PRTV :: ADGJ : ?

Ans A. MRSV

B. NQTW

C. MSUX

D. TWNQ

Question ID : 630680418769

Option 1 ID : 6306801633795

Option 2 ID : 6306801633797

Option 3 ID : 6306801633796

Option 4 ID : 6306801633798

Status : Answered

Chosen Option : B

Q.3 Under Article 145(3), "any case involving a substantial question of law as to the interpretation of the Constitution" must be decided by a Bench of at least _____ judges. Such a Bench is called a Constitution Bench.

- Ans
- A. 9
 - B. 10
 - C. 15
 - D. 5

Question ID : 630680418762
Option 1 ID : 6306801633769
Option 2 ID : 6306801633768
Option 3 ID : 6306801633767
Option 4 ID : 6306801633770
Status : Not Answered
Chosen Option : --

Q.4 According to the World Press Freedom Index 2022, what is the rank of India?

- Ans
- A. 159
 - B. 162
 - C. 150
 - D. 142

Question ID : 630680418759
Option 1 ID : 6306801633758
Option 2 ID : 6306801633757
Option 3 ID : 6306801633755
Option 4 ID : 6306801633756
Status : Answered
Chosen Option : C

Q.5 The _____ became the sovereign power with Pulakesin-I who laid the foundations of his kingdom by converting the hill near Badami in Bijapur district of Karnataka into a strong fortress in 543-44 CE.

- Ans
- A. Pandyas
 - B. Cheras
 - C. Pallavas
 - D. Chalukyas

Question ID : 630680418754
Option 1 ID : 6306801633735
Option 2 ID : 6306801633738
Option 3 ID : 6306801633736
Option 4 ID : 6306801633737
Status : Not Answered
Chosen Option : --

Q.6 Which of the following folk dances does NOT belong to Assam?

- Ans A. Deodhani
 B. Singhi Chham
 C. Bihu
 D. Ali -Ai Ligang

Question ID : 630680418758
Option 1 ID : 6306801633752
Option 2 ID : 6306801633754
Option 3 ID : 6306801633753
Option 4 ID : 6306801633751
Status : Answered
Chosen Option : D

Q.7 Study the given information carefully and answer the question that follows.

'P @ Q' means 'P is the brother of Q'.

'P & Q' means 'P is the sister of Q'.

'P # Q' means 'P is the husband of Q'.

'P % Q' means 'P is the mother of Q'.

'P S Q' means 'P is the daughter of Q'.

How is D related to A, in the expression 'A # B % C & D @ E'?

- Ans A. Grandson
 B. Father
 C. Daughter
 D. Son

Question ID : 630680418767
Option 1 ID : 6306801633788
Option 2 ID : 6306801633789
Option 3 ID : 6306801633787
Option 4 ID : 6306801633790
Status : Answered
Chosen Option : D

Q.8 The Arya Samaj founded by Swami Dayanand Saraswati in _____ undertook the task of reforming Hindu religion in North India.

- Ans A. 1878
 B. 1875
 C. 1876
 D. 1877

Question ID : 630680418756
Option 1 ID : 6306801633746
Option 2 ID : 6306801633743
Option 3 ID : 6306801633744
Option 4 ID : 6306801633745
Status : Answered
Chosen Option : B

Q.9 Who is the author of the book 'The \$10 Trillion Dream'?

- Ans A. Wajida Tabassum
 B. Subhash Chandra Garg
 C. Barkha Dutt
 D. Kunal Basu

Question ID : 630680418757
 Option 1 ID : 6306801633750
 Option 2 ID : 6306801633748
 Option 3 ID : 6306801633749
 Option 4 ID : 6306801633747
 Status : Answered
 Chosen Option : B

Q.10 Select the word-pair in which the two words share a same relationship as that shared by the given word-pair.

Pesticide : Plant

- Ans A. Injection : Fever
 B. Medicine : Disease
 C. Yesterday : Tomorrow
 D. Vaccination : Baby

Question ID : 630680418768
 Option 1 ID : 6306801633794
 Option 2 ID : 6306801633792
 Option 3 ID : 6306801633793
 Option 4 ID : 6306801633791
 Status : Answered
 Chosen Option : D

Q.11 Study the given information carefully and answer the questions that follows.

The digits are coded in the form of symbols as shown below.

Digits	3	2	7	1	0	6	8	5	4	9
Code	α	£	\$	β	?	¥	%	&	@	€

Conditions:

- If the first digit is odd and last digit is even, both are to be coded as #.
- If the first as well as the last digit are even, both are to be coded by the code for the first-digit.
- If the first as well as the last digit are odd, the codes for the first and the last digits are to be interchanged.
- If the first digit is even and last digit are odd, both are to be coded by the code for last digit.

What will be the code for '59426'?

- Ans A. &€@£#
 B. #@£€#
 C. #€@£#
 D. #€@£¥

Question ID : 630680418766
 Option 1 ID : 6306801633784
 Option 2 ID : 6306801633783
 Option 3 ID : 6306801633785
 Option 4 ID : 6306801633786
 Status : Answered
 Chosen Option : C

Q.12 Select the combination of letters that when sequentially placed in the blanks of the given series will complete the series.

BC DB A BCA BC D

- Ans**
- A. DDAAC
 - B. ACADA
 - C. ACDCA
 - D. ACDDA

Question ID : 630680418763
Option 1 ID : 6306801633771
Option 2 ID : 6306801633773
Option 3 ID : 6306801633774
Option 4 ID : 6306801633772
Status : Answered
Chosen Option : D

Q.13 If 'S' means '+', '#' means '×', '%' means '+', and '@' means '-', then, what will come in place of the question mark (?) in the following equation?

9 # 21 % 7 @ 9 S 23 = ?

- Ans**
- A. 41
 - B. 27
 - C. 53
 - D. 35

Question ID : 630680418771
Option 1 ID : 6306801633803
Option 2 ID : 6306801633805
Option 3 ID : 6306801633804
Option 4 ID : 6306801633806
Status : Answered
Chosen Option : A

Q.14 Four sets of letters have been given out of which three are alike in some manner and one is different. Select the one that is different.

- Ans**
- A. EGFH
 - B. IKJL
 - C. SVTU
 - D. OQPR

Question ID : 630680418765
Option 1 ID : 6306801633782
Option 2 ID : 6306801633780
Option 3 ID : 6306801633781
Option 4 ID : 6306801633779
Status : Answered
Chosen Option : C

Q.15 DreamSetGo, a sports experiences and travel platform, has announced _____ as its first brand ambassador.

- Ans A. Mary Kom
 B. Sunil Chhetri
 C. Sourav Ganguly
 D. Neeraj Chopra

Question ID : 630680418761
Option 1 ID : 6306801633764
Option 2 ID : 6306801633763
Option 3 ID : 6306801633766
Option 4 ID : 6306801633765
Status : Answered
Chosen Option : C

Q.16 Select the term from among the given options that can replace the question mark (?) in the following series.

Y2880, W480, T96, P24, K8, ?

- Ans A. E2
 B. E4
 C. F6
 D. F2

Question ID : 630680418764
Option 1 ID : 6306801633775
Option 2 ID : 6306801633778
Option 3 ID : 6306801633776
Option 4 ID : 6306801633777
Status : Answered
Chosen Option : B

Q.17 India's lawn bowls team scripted history by winning its first Commonwealth Games gold medal after defeating _____ 17-10 in the final of the women's fours event at Birmingham.

- Ans A. Northern Ireland
 B. Scotland
 C. South Africa
 D. England

Question ID : 630680418760
Option 1 ID : 6306801633759
Option 2 ID : 6306801633760
Option 3 ID : 6306801633761
Option 4 ID : 6306801633762
Status : Answered
Chosen Option : A

Q.18 Which two signs should be interchanged to make the following equation correct?

$$17 - 5 \times 16 \div 2 + 13 = 44$$

- Ans
- A. - and ×
 - B. - and +
 - C. ÷ and ×
 - D. ÷ and +

Question ID : 630680418772

Option 1 ID : 6306801633807

Option 2 ID : 6306801633809

Option 3 ID : 6306801633810

Option 4 ID : 6306801633808

Status : Answered

Chosen Option : B

Q.19 Four letter-clusters have been given out of which three are alike in some manner and one is different. Select the one that is different.

- Ans
- A. TVWU
 - B. FHIG
 - C. MOPN
 - D. KMLN

Question ID : 630680418770

Option 1 ID : 6306801633802

Option 2 ID : 6306801633801

Option 3 ID : 6306801633799

Option 4 ID : 6306801633800

Status : Answered

Chosen Option : D

Q.20 _____ विधवा पुनर्विवाह संघ (1861) और डेक्कन एजुकेशन सोसाइटी के संस्थापक थे।

- Ans
- A. ईश्वर चंद विद्यासागर (Ishwar Chand Vidyasagar)
 - B. डॉ. आत्मा राम पांडुरंग (Dr. Atma Ram Pandurang)
 - C. राजा राम मोहन राय (Raja Ram Mohan Roy)
 - D. महादेव गोविंद रानाडे (Mahadev Govind Ranade)

Question ID : 630680418755

Option 1 ID : 6306801633739

Option 2 ID : 6306801633741

Option 3 ID : 6306801633742

Option 4 ID : 6306801633740

Status : Answered

Chosen Option : C

Section : General Hindi

Q.1 निम्न में से किस मुहावरे का अर्थ 'मरने वाला होना' है-

- Ans A. अब तब होना
 B. आँखे फेर लेना
 C. अबे-तबे करना
 D. अब तब करना

Question ID : 630680418778
 Option 1 ID : 6306801633832
 Option 2 ID : 6306801633834
 Option 3 ID : 6306801633833
 Option 4 ID : 6306801633831
 Status : Answered
 Chosen Option : A

Q.2 हेतुहेतुमद् भविष्य काल की दृष्टि से सही वाक्य है-

- Ans A. उसने कलम खरीदी थी।
 B. उसने खाना खा लिया होगा।
 C. तुम किताब पढ़ रहे थे।
 D. आप कमाएँ तो हम खाएँ।

Question ID : 630680418775
 Option 1 ID : 6306801633820
 Option 2 ID : 6306801633821
 Option 3 ID : 6306801633822
 Option 4 ID : 6306801633819
 Status : Answered
 Chosen Option : D

Q.3 सामान्य वर्तमान के उचित क्रिया पद से वाक्य पूर्ण करें-
 प्रतिदिन शाम में लगभग 5:30 बजे दिल्ली के लिए यहाँ से हवाई जहाज़ _____।

- Ans A. मिल रहा है
 B. मिलता होगा
 C. मिलेगा
 D. मिलता है

Question ID : 630680418776
 Option 1 ID : 6306801633826
 Option 2 ID : 6306801633824
 Option 3 ID : 6306801633825
 Option 4 ID : 6306801633823
 Status : Answered
 Chosen Option : D

Q.4 निम्न में से कौन-सा विलोम युग्म असुमेलित है-

- Ans A. वैतनिक – अवैतनिक
 B. वीर – अवीर
 C. विहित – अविहित
 D. वैध – अवैध

Question ID : 630680418782
 Option 1 ID : 6306801633848
 Option 2 ID : 6306801633849
 Option 3 ID : 6306801633847
 Option 4 ID : 6306801633850
 Status : Answered
 Chosen Option : B

Q.5 वाक्य विन्यास की दृष्टि से शुद्ध वाक्य का चयन कीजिए-

- Ans A. हमें हर्ष है विश्वविद्यालय की स्वर्ण जयंती के रूप में मनाये जाने का इस वर्ष को।
 B. इस वर्ष को विश्वविद्यालय की स्वर्ण जयंती के रूप में मनाये जाने का हमें हर्ष है।
 C. विश्वविद्यालय की स्वर्ण जयंती के रूप में मनाये जाने का इस वर्ष को हमें हर्ष है।
 D. मनाये जाने का इस वर्ष को विश्वविद्यालय की स्वर्ण जयंती के रूप में हमें हर्ष है।

Question ID : 630680418774

Option 1 ID : 6306801633818

Option 2 ID : 6306801633817

Option 3 ID : 6306801633815

Option 4 ID : 6306801633816

Status : Answered

Chosen Option : B

Q.6 'बाँका' का पर्याय निम्न में से है-

- Ans A. चौड़ा
 B. सीधा
 C. तिरछा
 D. उल्टा

Question ID : 630680418780

Option 1 ID : 6306801633842

Option 2 ID : 6306801633839

Option 3 ID : 6306801633841

Option 4 ID : 6306801633840

Status : Answered

Chosen Option : B

Q.7 वाक्य विन्यास की दृष्टि से शुद्ध वाक्य का चयन कीजिए-

- Ans A. परिणाम यह हुआ असावधानी का उसकी कि हम हार गये।
 B. हम हार गये कि परिणाम यह हुआ उसकी असावधानी का।
 C. उसकी असावधानी का परिणाम यह हुआ कि हम हार गये।
 D. कि हम हार गये परिणाम यह हुआ उसकी असावधानी का।

Question ID : 630680418773

Option 1 ID : 6306801633811

Option 2 ID : 6306801633813

Option 3 ID : 6306801633812

Option 4 ID : 6306801633814

Status : Answered

Chosen Option : C

Q.8 कारक विभक्ति चिह्न प्रयोग की दृष्टि से अशुद्ध वाक्य है-

- Ans A. एक घोड़ा, दो गदहे और बहुत सी बकरियाँ मैदान में चर रही हैं।
 B. एक घोड़ा, दो गदहे और बहुत सी बकरियाँ मैदान से चर रही हैं।
 C. एक घोड़ा, दो गदहे और बहुत सी बकरियाँ मैदान को चर रही हैं।
 D. एक घोड़ा, दो गदहे और बहुत सी बकरियाँ मैदान पर चर रही हैं।

Question ID : 630680418777

Option 1 ID : 6306801633829

Option 2 ID : 6306801633828

Option 3 ID : 6306801633830

Option 4 ID : 6306801633827

Status : Answered

Chosen Option : B

Q.9 'विस्तृत' का विलोम शब्द है-

- Ans A. प्रसार
 B. तुच्छ
 C. विशाल
 D. संकुचित

Question ID : 630680418781
Option 1 ID : 6306801633845
Option 2 ID : 6306801633846
Option 3 ID : 6306801633844
Option 4 ID : 6306801633843
Status : Answered
Chosen Option : D

Q.10 निम्न में से सही मुहावरा है-

- Ans A. आँखों पर चर्बी चढ़ना
 B. आँखों पर मोटापा चढ़ना
 C. आँखों पर नींद चढ़ना
 D. आँखों पर चिकनाई चढ़ना

Question ID : 630680418779
Option 1 ID : 6306801633835
Option 2 ID : 6306801633836
Option 3 ID : 6306801633837
Option 4 ID : 6306801633838
Status : Answered
Chosen Option : A

Comprehension:

निम्नलिखित गद्यांश को ध्यानपूर्वक पढ़ें और प्रश्न का उत्तर दीजिए।

अठाहरवीं सदी में सामाजिक जीवन और संस्कृति की खास बातें जड़ता और भूतकाल पर निर्भर थीं। लोग धर्म, क्षेत्र, कबीले, भाषा और जाति के आधार पर विभाजित थे। जाति हिंदूओं के सामाजिक जीवन की मुख्य विशेषता थी। हिंदू चार वर्णों के अतिरिक्त अनगिनत जातियों में बँटे हुए थे। ब्राह्मणों के नेतृत्व में उच्च जातियों ने सब सामाजिक प्रतिष्ठा और विशेषाधिकार पर अपना एकाधिकार क्रायम कर रखा था। अंतर्जातीय विवाहों की मनाही थी। कतिपय स्थितियों में उच्च जातियों के लोग छोटी जातियों के लोगों का छुआ खाना नहीं खाते थे। बहुधा जातियाँ ही पेशे को निर्धारित करती थीं। मुसलमान भी जाति, नस्ल, कबीले और दर्जे की दृष्टि से कम विभाजित नहीं थे। हालाँकि उनके धर्म में सामाजिक समानता का निर्देश दिया था। अठाहरवीं सदी के भारत में परिवार की व्यवस्था पितृसत्तात्मक थी। संपत्ति में दायभाग सिर्फ पुरुषों को ही मिलता था। परंतु केरल के नायर समुदाय में परिवार मातृप्रधान था। माता तथा पत्नी के रूप में स्त्रियों को आदर दिया जाता था। पर्दा अधिकतर उच्च वर्गों में ही प्रचलित था। सभी शादियाँ परिवार के प्रधान तय करते थे। पुरुषों में बहुविवाह का प्रचलन था। बाल-विवाह प्रथा सारे देश में प्रचलित थी। उच्च वर्गों में शादियों पर भारी खर्चा करने और दहेज देने की कुप्रथा प्रचलित थी। युग की दो बड़ी सामाजिक कुरीतियाँ थी सती प्रथा और विधवाओं की खराब अवस्था। सती प्रथा में पति की चिता पर विधवा स्त्री को भी बैठा दिया जाता था। दक्षिण भारत में यह प्रथा प्रचलित नहीं थी। मराठों ने भी उसे बढ़ावा नहीं दिया। विधवा विवाह उच्च जातियों में प्रचलित नहीं था। किंतु महाराष्ट्र के गैर ब्राह्मण जाट और उत्तर भारत के पहाड़ी क्षेत्रों के लोगों में विधवा पुनर्विवाह काफी प्रचलित था। आमेर के राजा जयसिंह और मराठा सेनापति परशुराम भाऊ ने विधवा पुनर्विवाह को बढ़ावा देने की असफल कोशिश की।

SubQuestion No : 11

Q.11 'अठाहरवीं सदी में सामाजिक जीवन और संस्कृति की खास बातें जड़ता और भूतकाल पर निर्भर थीं' से क्या तात्पर्य है?

- Ans
- A. सारी सामाजिक और सांस्कृतिक परम्पराएँ पुरानी थीं।
 - B. समाज में भूतकाल को महत्त्व दिया जाता था, भविष्य की चिंता नहीं थी।
 - C. समाज पारम्परिक सोच और रुढ़िवादिता में जकड़ा हुआ था।
 - D. उस समय के लोग जड़, कंद, मूल खाते थे और भूतों में विश्वास रखते थे।

Question ID : 630680418784

Option 1 ID : 6306801633854

Option 2 ID : 6306801633853

Option 3 ID : 6306801633852

Option 4 ID : 6306801633851

Status : Answered

Chosen Option : C

Comprehension:

निम्नलिखित गद्यांश को ध्यानपूर्वक पढ़ें और प्रश्न का उत्तर दीजिए।

अठाहरवीं सदी में सामाजिक जीवन और संस्कृति की खास बातें जड़ता और भूतकाल पर निर्भर थीं। लोग धर्म, क्षेत्र, कबीले, भाषा और जाति के आधार पर विभाजित थे। जाति हिंदूओं के सामाजिक जीवन की मुख्य विशेषता थी। हिंदू चार वर्णों के अतिरिक्त अनगिनत जातियों में बँटे हुए थे। ब्राह्मणों के नेतृत्व में उच्च जातियों ने सब सामाजिक प्रतिष्ठा और विशेषाधिकार पर अपना एकाधिकार क़ायम कर रखा था। अंतर्जातीय विवाहों की मनाही थी। कतिपय स्थितियों में उच्च जातियों के लोग छोटी जातियों के लोगों का छुआ खाना नहीं खाते थे। बहुधा जातियाँ ही पेशे को निर्धारित करती थीं। मुसलमान भी जाति, नस्ल, कबीले और दर्जे की दृष्टि से कम विभाजित नहीं थे। हालाँकि उनके धर्म में सामाजिक समानता का निर्देश दिया था। अठाहरवीं सदी के भारत में परिवार की व्यवस्था पितृसत्तात्मक थी। संपत्ति में दायभाग सिर्फ पुरुषों को ही मिलता था। परंतु केरल के नायर समुदाय में परिवार मातृप्रधान था। माता तथा पत्नी के रूप में स्त्रियों को आदर दिया जाता था। पर्दा अधिकतर उच्च वर्गों में ही प्रचलित था। सभी शादियाँ परिवार के प्रधान तय करते थे। पुरुषों में बहुविवाह का प्रचलन था। बाल-विवाह प्रथा सारे देश में प्रचलित थी। उच्च वर्गों में शादियों पर भारी खर्चा करने और दहेज देने की कुप्रथा प्रचलित थी। युग की दो बड़ी सामाजिक कुरीतियाँ थी सती प्रथा और विधवाओं की खराब अवस्था। सती प्रथा में पति की चिता पर विधवा स्त्री को भी बैठा दिया जाता था। दक्षिण भारत में यह प्रथा प्रचलित नहीं थी। मराठों ने भी उसे बढ़ावा नहीं दिया। विधवा विवाह उच्च जातियों में प्रचलित नहीं था। किंतु महाराष्ट्र के गैर ब्राह्मण जाट और उत्तर भारत के पहाड़ी क्षेत्रों के लोगों में विधवा पुनर्विवाह काफी प्रचलित था। आमेर के राजा जयसिंह और मराठा सेनापति परशुराम भाऊ ने विधवा पुनर्विवाह को बढ़ावा देने की असफल कोशिश की।

SubQuestion No : 12

Q.12 गद्यांश के लिए उचित शीर्षक होगा-

- Ans**
- A. पितृसत्तात्मक समाज
 - B. स्त्री जीवन की त्रासदी
 - C. जाति व्यवस्था और हिंदू धर्म
 - D. सामाजिक और सांस्कृतिक जीवन

Question ID : 630680418785

Option 1 ID : 6306801633857

Option 2 ID : 6306801633858

Option 3 ID : 6306801633856

Option 4 ID : 6306801633855

Status : Answered

Chosen Option : D

Comprehension:

निम्नलिखित गद्यांश को ध्यानपूर्वक पढ़ें और प्रश्न का उत्तर दीजिए।

अठाहरवीं सदी में सामाजिक जीवन और संस्कृति की खास बातें जड़ता और भूतकाल पर निर्भर थीं। लोग धर्म, क्षेत्र, कबीले, भाषा और जाति के आधार पर विभाजित थे। जाति हिंदूओं के सामाजिक जीवन की मुख्य विशेषता थी। हिंदू चार वर्णों के अतिरिक्त अनगिनत जातियों में बँटे हुए थे। ब्राह्मणों के नेतृत्व में उच्च जातियों ने सब सामाजिक प्रतिष्ठा और विशेषाधिकार पर अपना एकाधिकार कायम कर रखा था। अंतर्जातीय विवाहों की मनाही थी। कतिपय स्थितियों में उच्च जातियों के लोग छोटी जातियों के लोगों का छुआ खाना नहीं खाते थे। बहुधा जातियों ही पेशे को निर्धारित करती थीं। मुसलमान भी जाति, नस्ल, कबीले और दर्जे की दृष्टि से कम विभाजित नहीं थे। हालाँकि उनके धर्म में सामाजिक समानता का निर्देश दिया था। अठाहरवीं सदी के भारत में परिवार की व्यवस्था पितृसत्तात्मक थी। संपत्ति में दायभाग सिर्फ पुरुषों को ही मिलता था। परंतु केरल के नायर समुदाय में परिवार मातृप्रधान था। माता तथा पत्नी के रूप में स्त्रियों को आदर दिया जाता था। पर्दा अधिकतर उच्च वर्गों में ही प्रचलित था। सभी शादियाँ परिवार के प्रधान तय करते थे। पुरुषों में बहुविवाह का प्रचलन था। बाल-विवाह प्रथा सारे देश में प्रचलित थी। उच्च वर्गों में शादियों पर भारी खर्चा करने और दहेज देने की कुप्रथा प्रचलित थी। युग की दो बड़ी सामाजिक कुरीतियाँ थी सती प्रथा और विधवाओं की खराब अवस्था। सती प्रथा में पति की चिता पर विधवा स्त्री को भी बैठा दिया जाता था। दक्षिण भारत में यह प्रथा प्रचलित नहीं थी। मराठों ने भी उसे बढ़ावा नहीं दिया। विधवा विवाह उच्च जातियों में प्रचलित नहीं था। किंतु महाराष्ट्र के गैर ब्राह्मण जाट और उत्तर भारत के पहाड़ी क्षेत्रों के लोगों में विधवा पुनर्विवाह काफी प्रचलित था। अमेर के राजा जयसिंह और मराठा सेनापति परशुराम भाऊ ने विधवा पुनर्विवाह को बढ़ावा देने की असफल कोशिश की।

SubQuestion No : 13

Q.13 गद्यांश से निष्कर्ष नहीं निकलता है-

- Ans**
- A. मुख्यतः समाज पुरुष प्रधान था एक-आध अपवाद छोड़कर।
 - B. सम्पूर्ण समाज रूढ़ियों तथा अज्ञानता से ग्रस्त था।
 - C. समाज वर्ण, धर्म, जाति आदि आधारों पर विभाजित था।
 - D. स्त्रियों की सामाजिक दशा उत्तम थी।

Question ID : 630680418788

Option 1 ID : 6306801633869

Option 2 ID : 6306801633868

Option 3 ID : 6306801633870

Option 4 ID : 6306801633867

Status : Answered

Chosen Option : D

Comprehension:

निम्नलिखित गद्यांश को ध्यानपूर्वक पढ़ें और प्रश्न का उत्तर दीजिए।

अठाहरवीं सदी में सामाजिक जीवन और संस्कृति की खास बातें जड़ता और भूतकाल पर निर्भर थीं। लोग धर्म, क्षेत्र, कबीले, भाषा और जाति के आधार पर विभाजित थे। जाति हिंदूओं के सामाजिक जीवन की मुख्य विशेषता थी। हिंदू चार वर्णों के अतिरिक्त अनगिनत जातियों में बँटे हुए थे। ब्राह्मणों के नेतृत्व में उच्च जातियों ने सब सामाजिक प्रतिष्ठा और विशेषाधिकार पर अपना एकाधिकार कायम कर रखा था। अंतर्जातीय विवाहों की मनाही थी। कतिपय स्थितियों में उच्च जातियों के लोग छोटी जातियों के लोगों का छुआ खाना नहीं खाते थे। बहुधा जातियाँ ही पेशे को निर्धारित करती थीं। मुसलमान भी जाति, नस्ल, कबीले और दर्जे की दृष्टि से कम विभाजित नहीं थे। हालाँकि उनके धर्म में सामाजिक समानता का निर्देश दिया था। अठाहरवीं सदी के भारत में परिवार की व्यवस्था पितृसत्तात्मक थी। संपत्ति में दायभाग सिर्फ पुरुषों को ही मिलता था। परंतु केरल के नायर समुदाय में परिवार मातृप्रधान था। माता तथा पत्नी के रूप में स्त्रियों को आदर दिया जाता था। पर्दा अधिकतर उच्च वर्गों में ही प्रचलित था। सभी शादियाँ परिवार के प्रधान तय करते थे। पुरुषों में बहुविवाह का प्रचलन था। बाल-विवाह प्रथा सारे देश में प्रचलित थी। उच्च वर्गों में शादियों पर भारी खर्चा करने और दहेज देने की कुप्रथा प्रचलित थी। युग की दो बड़ी सामाजिक कुरीतियाँ थी सती प्रथा और विधवाओं की खराब अवस्था। सती प्रथा में पति की चिता पर विधवा स्त्री को भी बैठा दिया जाता था। दक्षिण भारत में यह प्रथा प्रचलित नहीं थी। मराठों ने भी उसे बढ़ावा नहीं दिया। विधवा विवाह उच्च जातियों में प्रचलित नहीं था। किंतु महाराष्ट्र के गैर ब्राह्मण जाट और उत्तर भारत के पहाड़ी क्षेत्रों के लोगों में विधवा पुनर्विवाह काफी प्रचलित था। आमेर के राजा जयसिंह और मराठा सेनापति परशुराम भाऊ ने विधवा पुनर्विवाह को बढ़ावा देने की असफल कोशिश की।

SubQuestion No : 14

Q.14 जाति व्यवस्था के संदर्भ असत्य है-

- Ans** A. मुसलमानों में धर्म के अनुरूप जाति प्रथा नहीं थी।
 B. अंतर्जातीय विवाह की मनाही थी तथा छुआछूत का प्रचलन था।
 C. पेशे का निर्धारण भी आमतौर पर जाति से होता था।
 D. उच्च जातियों को विशेषाधिकार प्राप्त थे।

Question ID : 630680418786

Option 1 ID : 6306801633860

Option 2 ID : 6306801633862

Option 3 ID : 6306801633861

Option 4 ID : 6306801633859

Status : Answered

Chosen Option : A

Comprehension:

निम्नलिखित गद्यांश को ध्यानपूर्वक पढ़ें और प्रश्न का उत्तर दीजिए।

अठारहवीं सदी में सामाजिक जीवन और संस्कृति की खास बातें जड़ता और भूतकाल पर निर्भर थीं। लोग धर्म, क्षेत्र, कबीले, भाषा और जाति के आधार पर विभाजित थे। जाति हिंदूओं के सामाजिक जीवन की मुख्य विशेषता थी। हिंदू चार वर्णों के अतिरिक्त अनगिनत जातियों में बँटे हुए थे। ब्राह्मणों के नेतृत्व में उच्च जातियों ने सब सामाजिक प्रतिष्ठा और विशेषाधिकार पर अपना एकाधिकार क्रायम कर रखा था। अंतर्जातीय विवाहों की मनाही थी। कतिपय स्थितियों में उच्च जातियों के लोग छोटी जातियों के लोगों का छुआ खाना नहीं खाते थे। बहुधा जातियाँ ही पेशे को निर्धारित करती थीं। मुसलमान भी जाति, नस्ल, कबीले और दर्जे की दृष्टि से कम विभाजित नहीं थे। हालाँकि उनके धर्म में सामाजिक समानता का निर्देश दिया था। अठारहवीं सदी के भारत में परिवार की व्यवस्था पितृसत्तात्मक थी। संपत्ति में दायभाग सिर्फ पुरुषों को ही मिलता था। परंतु केरल के नायर समुदाय में परिवार मातृप्रधान था। माता तथा पत्नी के रूप में स्त्रियों को आदर दिया जाता था। पर्दा अधिकतर उच्च वर्गों में ही प्रचलित था। सभी शादियाँ परिवार के प्रधान तय करते थे। पुरुषों में बहुविवाह का प्रचलन था। बाल-विवाह प्रथा सारे देश में प्रचलित थी। उच्च वर्गों में शादियों पर भारी खर्चा करने और दहेज देने की कुप्रथा प्रचलित थी। युग की दो बड़ी सामाजिक कुरीतियाँ थी सती प्रथा और विधवाओं की खराब अवस्था। सती प्रथा में पति की चिता पर विधवा स्त्री को भी बैठा दिया जाता था। दक्षिण भारत में यह प्रथा प्रचलित नहीं थी। मराठों ने भी उसे बढ़ावा नहीं दिया। विधवा विवाह उच्च जातियों में प्रचलित नहीं था। किंतु महाराष्ट्र के गैर ब्राह्मण जाट और उत्तर भारत के पहाड़ी क्षेत्रों के लोगों में विधवा पुनर्विवाह काफी प्रचलित था। अमेर के राजा जयसिंह और मराठा सेनापति परशुराम भाऊ ने विधवा पुनर्विवाह को बढ़ावा देने की असफल कोशिश की।

SubQuestion No : 15

Q.15 18वीं सदी के पारिवारिक जीवन की विशेषता नहीं है-

- Ans**
- A. सभी वर्ग की स्त्रियों में पर्दा प्रथा का प्रचलन था।
 - B. पुरुषों में बहुविवाह का प्रचलन था।
 - C. परिवार का वरिष्ठ पुरुष सदस्य उसका मुखिया होता था।
 - D. सम्पत्ति में दायभाग सिर्फ पुरुष को मिलता था।

Question ID : 630680418787

Option 1 ID : 6306801633865

Option 2 ID : 6306801633866

Option 3 ID : 6306801633863

Option 4 ID : 6306801633864

Status : Answered

Chosen Option : A

Section : General English

Q.1 Select the most appropriate phrase that can substitute the underlined segment in the given sentence.

The party was scratching the barrel for competent politicians.

- Ans**
- A. Spying the barrel
 - B. Searching the barrel
 - C. Sieving the barrel
 - D. Scraping the barrel

Question ID : 630680418794

Option 1 ID : 6306801633893

Option 2 ID : 6306801633892

Option 3 ID : 6306801633894

Option 4 ID : 6306801633891

Status : Answered

Chosen Option : B

Q.2 Select the most appropriate verb to fill in the blank.

When he was just 15 years old, Kazumi Muraki _____ a small, portable device to capture carbon from the atmosphere.

- Ans A. created
 B. will create
 C. create
 D. was create

Question ID : 630680418789
Option 1 ID : 6306801633872
Option 2 ID : 6306801633874
Option 3 ID : 6306801633871
Option 4 ID : 6306801633873
Status : Answered
Chosen Option : A

Q.3 Select the most appropriate synonym of the underlined word.

Rahul is fanatical about his beliefs, preaching to anyone who will listen.

- Ans A. Unruly
 B. Bigoted
 C. Domineering
 D. Imperious

Question ID : 630680418793
Option 1 ID : 6306801633890
Option 2 ID : 6306801633887
Option 3 ID : 6306801633888
Option 4 ID : 6306801633889
Status : Answered
Chosen Option : D

Q.4 Select the option that has used the correct present perfect continuous tense.

- Ans A. Thank you so much for the binoculars. I've been wanted a pair for ages.
 B. Thank you so much for the binoculars. I've been wanting a pair for ages.
 C. Thank you so much for the binoculars. I've been wants a pair for ages.
 D. Thank you so much for the binoculars. I've been want a pair for ages.

Question ID : 630680418792
Option 1 ID : 6306801633886
Option 2 ID : 6306801633883
Option 3 ID : 6306801633885
Option 4 ID : 6306801633884
Status : Answered
Chosen Option : B

Q.5 Select the most appropriate option to complete the given phrase correctly. (Hint: Substituting the words in the brackets will give you the answer.)

Giving Kohli a bat on his birthday is like carrying _____ (diamonds to Newcastle).

- Ans A. coals to Newcastle
 B. wood to Newcastle
 C. pearls to Newcastle
 D. gold to Newcastle

Question ID : 630680418796
Option 1 ID : 6306801633902
Option 2 ID : 6306801633899
Option 3 ID : 6306801633900
Option 4 ID : 6306801633901
Status : Answered
Chosen Option : C

Q.6 Select the grammatically correct sentence.

- Ans A. He has of the subject but talked the most at the meeting, only superficial understanding without adding any value.
 B. He most at the meeting, without adding any value has only superficial understanding of the subject but talked the.
 C. He has only superficial understanding of the subject but talked the most at the meeting, without adding any value.
 D. He has but talked the most at the meeting, only superficial understanding of the subject without adding any value.

Question ID : 630680418797
Option 1 ID : 6306801633904
Option 2 ID : 6306801633906
Option 3 ID : 6306801633903
Option 4 ID : 6306801633905
Status : Answered
Chosen Option : C

Q.7 Sentences of a paragraph are given below in jumbled order. Arrange the sentences in the correct order to form a meaningful and coherent paragraph.

- a. Now, a growing number of psychologists, educators and parents think it's time to stop the madness and start teaching kids about what's really important: values like hard work, contentment, honesty and compassion.
b. As a result, they find themselves raising 'children' who respond greedily to the advertisements aimed right at them.
c. Too many parents these days can't say no.
d. Even getting what they want doesn't satisfy some kids; they only want more.

- Ans A. a,b,c,d
 B. b,c,a,d
 C. d,a,c,b
 D. c,b,d,a

Question ID : 630680418798
Option 1 ID : 6306801633908
Option 2 ID : 6306801633909
Option 3 ID : 6306801633910
Option 4 ID : 6306801633907
Status : Answered
Chosen Option : D

Q.8 Select the most appropriate adverb to fill in the blank.

He behaved very ____ in this dangerous situation.

- Ans A. coolly
 B. colder
 C. slowly
 D. coldest

Question ID : 630680418790

Option 1 ID : 6306801633875

Option 2 ID : 6306801633877

Option 3 ID : 6306801633876

Option 4 ID : 6306801633878

Status : Answered

Chosen Option : A

Q.9 Select the most appropriate meaning of the given idiom.

Have a lot on your plate

- Ans A. Have a lot of burden of the family on your shoulder
 B. Have a large amount of food to eat
 C. Have a large amount of important work to deal with
 D. Have a lot of meetings with ministers

Question ID : 630680418795

Option 1 ID : 6306801633898

Option 2 ID : 6306801633895

Option 3 ID : 6306801633896

Option 4 ID : 6306801633897

Status : Answered

Chosen Option : C

Q.10 Select the option that has used the correct past tense.

- Ans A. I learned how to play the guitar two months ago.
 B. I learns how to play the guitar two months ago.
 C. I learning how to play the guitar two months ago.
 D. I learn how to play the guitar two months ago.

Question ID : 630680418791

Option 1 ID : 6306801633879

Option 2 ID : 6306801633882

Option 3 ID : 6306801633881

Option 4 ID : 6306801633880

Status : Answered

Chosen Option : A

Comprehension:

Read the given passage and answer the questions that follow.

While there is no denying that the world loves a winner, it is important that you recognise the signs of stress in your behaviour and be healthy enough to enjoy your success. Stress can strike anytime, in a fashion that may leave you unaware of its presence in your life. While a certain amount of pressure is necessary for performance, it is important to be able to recognise your individual limit. For instance, there are some individuals who accept competition in a healthy fashion. There are others who collapse into weeping wrecks before an exam or on comparing mark sheets and finding that their friend has scored better. Stress is a body reaction to any demands or changes in its internal and external environment. Whenever there is a change in the external environment such as temperature, pollutants, humidity and working conditions, it leads to stress. In these days of competition when a person makes up his mind to surpass what has been achieved by others, leading to an imbalance between demands and resources, it causes psycho-social stress. It is a part and parcel of everyday life.

Stress has a different meaning, depending on the stage of life you are in. The loss of a toy or a reprimand from the parents might create a stress shock in a child. An adolescent who fails in the examination may feel as if everything has been lost and life has no further meaning. In an adult the loss of his or her companion, job or professional failure may appear as if there is nothing more to be achieved.

Such signs appear in the attitude and behaviour of the individual, as muscle tension in various parts of the body, palpitation and high blood pressure, indigestion and hyperacidity. Ultimately the result is self-destructive behaviour such as eating and drinking too much, smoking excessively, relying on tranquilisers. There are other signs of stress such as trembling, shaking, nervous blinking, dryness of throat and mouth and difficulty in swallowing.

SubQuestion No : 11

Q.11 Identify the inference drawn from the passage.

Ans **A. Stress is harmful.**

B. Stress can be avoided.

C. A lot of stress is helpful for our growth.

D. We all need to take stress.

Question ID : **630680418803**

Option 1 ID : **6306801633923**

Option 2 ID : **6306801633925**

Option 3 ID : **6306801633926**

Option 4 ID : **6306801633924**

Status : **Answered**

Chosen Option : **A**

Comprehension:

Read the given passage and answer the questions that follow.

While there is no denying that the world loves a winner, it is important that you recognise the signs of stress in your behaviour and be healthy enough to enjoy your success. Stress can strike anytime, in a fashion that may leave you unaware of its presence in your life. While a certain amount of pressure is necessary for performance, it is important to be able to recognise your individual limit. For instance, there are some individuals who accept competition in a healthy fashion. There are others who collapse into weeping wrecks before an exam or on comparing mark sheets and finding that their friend has scored better. Stress is a body reaction to any demands or changes in its internal and external environment. Whenever there is a change in the external environment such as temperature, pollutants, humidity and working conditions, it leads to stress. In these days of competition when a person makes up his mind to surpass what has been achieved by others, leading to an imbalance between demands and resources, it causes psycho-social stress. It is a part and parcel of everyday life.

Stress has a different meaning, depending on the stage of life you are in. The loss of a toy or a reprimand from the parents might create a stress shock in a child. An adolescent who fails in the examination may feel as if everything has been lost and life has no further meaning. In an adult the loss of his or her companion, job or professional failure may appear as if there is nothing more to be achieved.

Such signs appear in the attitude and behaviour of the individual, as muscle tension in various parts of the body, palpitation and high blood pressure, indigestion and hyperacidity. Ultimately the result is self-destructive behaviour such as eating and drinking too much, smoking excessively, relying on tranquilisers. There are other signs of stress such as trembling, shaking, nervous blinking, dryness of throat and mouth and difficulty in swallowing.

SubQuestion No : 12

Q.12 Identify the structure of the given passage.

Ans A. Cause/effect

B. Proposition/support

C. Time order/chronology

D. Sequence/process

Question ID : **630680418802**

Option 1 ID : **6306801633922**

Option 2 ID : **6306801633921**

Option 3 ID : **6306801633920**

Option 4 ID : **6306801633919**

Status : **Answered**

Chosen Option : **A**

Comprehension:

Read the given passage and answer the questions that follow.

While there is no denying that the world loves a winner, it is important that you recognise the signs of stress in your behaviour and be healthy enough to enjoy your success. Stress can strike anytime, in a fashion that may leave you unaware of its presence in your life. While a certain amount of pressure is necessary for performance, it is important to be able to recognise your individual limit. For instance, there are some individuals who accept competition in a healthy fashion. There are others who collapse into weeping wrecks before an exam or on comparing mark sheets and finding that their friend has scored better. Stress is a body reaction to any demands or changes in its internal and external environment. Whenever there is a change in the external environment such as temperature, pollutants, humidity and working conditions, it leads to stress. In these days of competition when a person makes up his mind to surpass what has been achieved by others, leading to an imbalance between demands and resources, it causes psycho-social stress. It is a part and parcel of everyday life.

Stress has a different meaning, depending on the stage of life you are in. The loss of a toy or a reprimand from the parents might create a stress shock in a child. An adolescent who fails in the examination may feel as if everything has been lost and life has no further meaning. In an adult the loss of his or her companion, job or professional failure may appear as if there is nothing more to be achieved.

Such signs appear in the attitude and behaviour of the individual, as muscle tension in various parts of the body, palpitation and high blood pressure, indigestion and hyperacidity. Ultimately the result is self-destructive behaviour such as eating and drinking too much, smoking excessively, relying on tranquilisers. There are other signs of stress such as trembling, shaking, nervous blinking, dryness of throat and mouth and difficulty in swallowing.

SubQuestion No : 13

Q.13 Select the most appropriate title for the given passage.

- Ans**
- A. Exercise
 - B. Part of Life
 - C. Coping with Life
 - D. Stress

Question ID : **630680418800**

Option 1 ID : **6306801633911**

Option 2 ID : **6306801633913**

Option 3 ID : **6306801633914**

Option 4 ID : **6306801633912**

Status : **Answered**

Chosen Option : **D**

Comprehension:

Read the given passage and answer the questions that follow.

While there is no denying that the world loves a winner, it is important that you recognise the signs of stress in your behaviour and be healthy enough to enjoy your success. Stress can strike anytime, in a fashion that may leave you unaware of its presence in your life. While a certain amount of pressure is necessary for performance, it is important to be able to recognise your individual limit. For instance, there are some individuals who accept competition in a healthy fashion. There are others who collapse into weeping wrecks before an exam or on comparing mark sheets and finding that their friend has scored better. Stress is a body reaction to any demands or changes in its internal and external environment. Whenever there is a change in the external environment such as temperature, pollutants, humidity and working conditions, it leads to stress. In these days of competition when a person makes up his mind to surpass what has been achieved by others, leading to an imbalance between demands and resources, it causes psycho-social stress. It is a part and parcel of everyday life.

Stress has a different meaning, depending on the stage of life you are in. The loss of a toy or a reprimand from the parents might create a stress shock in a child. An adolescent who fails in the examination may feel as if everything has been lost and life has no further meaning. In an adult the loss of his or her companion, job or professional failure may appear as if there is nothing more to be achieved.

Such signs appear in the attitude and behaviour of the individual, as muscle tension in various parts of the body, palpitation and high blood pressure, indigestion and hyperacidity. Ultimately the result is self-destructive behaviour such as eating and drinking too much, smoking excessively, relying on tranquilisers. There are other signs of stress such as trembling, shaking, nervous blinking, dryness of throat and mouth and difficulty in swallowing.

SubQuestion No : 14

Q.14 Which of the following sentences is INCORRECT as per the passage?

- Ans** A. It is important that you recognise the signs of stress in your behaviour and be healthy enough to enjoy your success.
- B. While a certain amount of pressure is unnecessary for performance, it is important not to be able to recognise your individual limit.
- C. Signs of stress include trembling, shaking, nervous blinking, dryness of throat and mouth and difficulty in swallowing.
- D. Stress has a different meaning, depending on the stage of life you are in.

Question ID : **630680418801**

Option 1 ID : **6306801633915**

Option 2 ID : **6306801633916**

Option 3 ID : **6306801633918**

Option 4 ID : **6306801633917**

Status : **Answered**

Chosen Option : **B**

Comprehension:

Read the given passage and answer the questions that follow.

While there is no denying that the world loves a winner, it is important that you recognise the signs of stress in your behaviour and be healthy enough to enjoy your success. Stress can strike anytime, in a fashion that may leave you unaware of its presence in your life. While a certain amount of pressure is necessary for performance, it is important to be able to recognise your individual limit. For instance, there are some individuals who accept competition in a healthy fashion. There are others who collapse into weeping wrecks before an exam or on comparing mark sheets and finding that their friend has scored better. Stress is a body reaction to any demands or changes in its internal and external environment. Whenever there is a change in the external environment such as temperature, pollutants, humidity and working conditions, it leads to stress. In these days of competition when a person makes up his mind to surpass what has been achieved by others, leading to an imbalance between demands and resources, it causes psycho-social stress. It is a part and parcel of everyday life.

Stress has a different meaning, depending on the stage of life you are in. The loss of a toy or a reprimand from the parents might create a stress shock in a child. An adolescent who fails in the examination may feel as if everything has been lost and life has no further meaning. In an adult the loss of his or her companion, job or professional failure may appear as if there is nothing more to be achieved.

Such signs appear in the attitude and behaviour of the individual, as muscle tension in various parts of the body, palpitation and high blood pressure, indigestion and hyperacidity. Ultimately the result is self-destructive behaviour such as eating and drinking too much, smoking excessively, relying on tranquilisers. There are other signs of stress such as trembling, shaking, nervous blinking, dryness of throat and mouth and difficulty in swallowing.

SubQuestion No : 15

Q.15 With reference to the passage, which of the following options is the most appropriate synonym of the underlined word?

There are other signs of stress such as trembling, shaking, nervous blinking, dryness of throat and mouth and difficulty in swallowing.

- Ans
- A. Steadiness
 - B. Stability
 - C. Stillness
 - D. Quivering

Question ID : 630680418804

Option 1 ID : 6306801633928

Option 2 ID : 6306801633929

Option 3 ID : 6306801633930

Option 4 ID : 6306801633927

Status : Answered

Chosen Option : D

Section : Domain Knowledge

Q.1 Which rating of SCR is employed in deciding its fuse capacity?

- Ans
- A. RMS current rating
 - B. di/dt rating
 - C. Latching current
 - D. I^2t rating

Question ID : 630680418821

Option 1 ID : 6306801633996

Option 2 ID : 6306801633995

Option 3 ID : 6306801633998

Option 4 ID : 6306801633997

Status : Answered

Chosen Option : A

Q.2 Bending of electrodes in cells due to overcharging and discharging is termed as _____.

- Ans
- A. hot spots
 - B. hard sulphation
 - C. buckling
 - D. local action

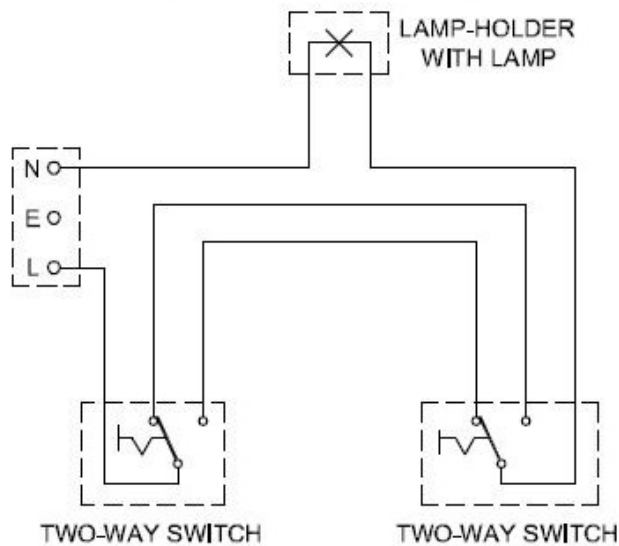
Question ID : 630680418943
Option 1 ID : 6306801634483
Option 2 ID : 6306801634485
Option 3 ID : 6306801634484
Option 4 ID : 6306801634486
Status : Answered
Chosen Option : C

Q.3 What is the advantage of using the double cage rotor in squirrel cage motors?

- Ans
- A. Cogging effect is eliminated
 - B. No requirement of starter
 - C. Reduces the humming sound
 - D. Increases the starting torque

Question ID : 630680418864
Option 1 ID : 6306801634169
Option 2 ID : 6306801634170
Option 3 ID : 6306801634168
Option 4 ID : 6306801634167
Status : Answered
Chosen Option : D

Q.4 Identify the diagram shown in the given figure.



- Ans
- A. Schematic diagram
 - B. Layout plan
 - C. Wiring diagram
 - D. Installation plan

Question ID : 630680418894

Option 1 ID : 6306801634290

Option 2 ID : 6306801634287

Option 3 ID : 6306801634288

Option 4 ID : 6306801634289

Status : Answered

Chosen Option : C

Q.5 In which of the following charging method the battery is charged at a very low rate, that is 2% to 3% of the normal rate, for a long period?

- Ans
- A. Freshening charge
 - B. Trickle charge
 - C. Boost charge
 - D. Initial charge

Question ID : 630680418945

Option 1 ID : 6306801634493

Option 2 ID : 6306801634492

Option 3 ID : 6306801634494

Option 4 ID : 6306801634491

Status : Answered

Chosen Option : B

Q.6 What might be the possible defect in a food mixer if it runs at one speed only?

- Ans
- A. Pittings or uneven commutator surface
 - B. Time rating of mixer is exceeded
 - C. Partially burnt-out field winding
 - D. Rotor rubbing against stator

Question ID : 630680418918
Option 1 ID : 6306801634384
Option 2 ID : 6306801634385
Option 3 ID : 6306801634383
Option 4 ID : 6306801634386
Status : Answered
Chosen Option : C

Q.7 Which of the following devices operates at lagging power factor?

- Ans
- A. Immersion heater
 - B. Electric iron
 - C. Induction motor
 - D. Incandescent lamp

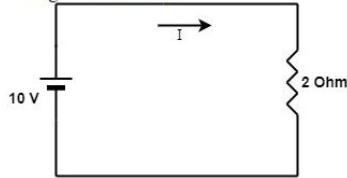
Question ID : 630680418841
Option 1 ID : 6306801634078
Option 2 ID : 6306801634077
Option 3 ID : 6306801634076
Option 4 ID : 6306801634075
Status : Answered
Chosen Option : C

Q.8 A safety sign, triangular in shape with a yellow-coloured background, black-coloured border and symbol is:

- Ans
- A. an information sign
 - B. a prohibition sign
 - C. a warning sign
 - D. a mandatory sign

Question ID : 630680418817
Option 1 ID : 6306801633979
Option 2 ID : 6306801633980
Option 3 ID : 6306801633982
Option 4 ID : 6306801633981
Status : Answered
Chosen Option : C

Q.9 A circuit shown below with a 10 V battery is connected to a 2-ohm resistance. What is the value of current I flowing in the circuit?



- Ans**
- A. 5 mA
 - B. 20 A
 - C. 20 mA
 - D. 5 A

Question ID : 630680418825
Option 1 ID : 6306801634012
Option 2 ID : 6306801634011
Option 3 ID : 6306801634014
Option 4 ID : 6306801634013
Status : Answered
Chosen Option : D

Q.10 Which of the following instruments is used to measure the insulation resistance of the installation, equipment, etc. in terms of mega ohm?

- Ans**
- A. Megohmmeter
 - B. Milliohmmeter
 - C. Line tester
 - D. Energy meter

Question ID : 630680418897
Option 1 ID : 6306801634301
Option 2 ID : 6306801634302
Option 3 ID : 6306801634300
Option 4 ID : 6306801634299
Status : Answered
Chosen Option : A

Q.11 Which of the following is a disadvantage of autotransformers?

- Ans**
- A. Voltage regulation is poor
 - B. No isolation between primary and secondary circuit
 - C. Low efficiency
 - D. Heavier in weight compared to two winding transformers

Question ID : 630680418856
Option 1 ID : 6306801634136
Option 2 ID : 6306801634137
Option 3 ID : 6306801634138
Option 4 ID : 6306801634135
Status : Answered
Chosen Option : B

Q.12 In a single-phase AC circuit with a pure resistive load, the wattmeter connected shows a reading of 100 W. The ammeter connected in series with a load indicates 2 A. Determine the resistance of the load.

- Ans**
- A. 25 ohm
 - B. 200 ohm
 - C. 100 ohm
 - D. 50 ohm

Question ID : 630680418929

Option 1 ID : 6306801634428

Option 2 ID : 6306801634430

Option 3 ID : 6306801634429

Option 4 ID : 6306801634427

Status : Answered

Chosen Option : A

Q.13 The reason for incorporating dummy coils in DC machine winding is to:

- Ans**
- A. increase the speed of the machine
 - B. increase the voltage magnitude
 - C. establish mechanical balance for the rotor
 - D. compensate for the eddy current loss

Question ID : 630680418807

Option 1 ID : 6306801633942

Option 2 ID : 6306801633941

Option 3 ID : 6306801633940

Option 4 ID : 6306801633939

Status : Answered

Chosen Option : C

Q.14 Which material is used to produce blue colour light in discharge lamps?

- Ans**
- A. Calcium tungstate
 - B. Calcium silicate
 - C. Zinc silicate
 - D. Cadmium silicate

Question ID : 630680418903

Option 1 ID : 6306801634323

Option 2 ID : 6306801634326

Option 3 ID : 6306801634325

Option 4 ID : 6306801634324

Status : Answered

Chosen Option : A

Q.15 If one ampere current is flowing through a coil having 200 turns, then the magneto motive force is equal to?

- Ans**
- A. 200 ampere turns
 - B. 150 ampere turns
 - C. 50 ampere turns
 - D. 100 ampere turns

Question ID : 630680418923
Option 1 ID : 6306801634406
Option 2 ID : 6306801634405
Option 3 ID : 6306801634403
Option 4 ID : 6306801634404
Status : Answered
Chosen Option : A

Q.16 Calculate the impedance of an RC series circuit with a resistance of 30 ohm and capacitive reactance of 40 ohm.

- Ans**
- A. 50 ohm
 - B. 70 ohm
 - C. 10 ohm
 - D. 8.36 ohm

Question ID : 630680418930
Option 1 ID : 6306801634434
Option 2 ID : 6306801634432
Option 3 ID : 6306801634433
Option 4 ID : 6306801634431
Status : Answered
Chosen Option : A

Q.17 The preferred DC generator for arc welding applications is:

- Ans**
- A. separately excited generator
 - B. differential compound generator
 - C. series generator
 - D. cumulative compound generator

Question ID : 630680418815
Option 1 ID : 6306801633973
Option 2 ID : 6306801633971
Option 3 ID : 6306801633974
Option 4 ID : 6306801633972
Status : Answered
Chosen Option : B

Q.18 As per IE rules what is the height at which the meter board and the main switch board are to be fitted?

- Ans**
- A. 0.5 m from ground level
 - B. 1.5 m from ground level
 - C. 2.5 m from ground level
 - D. 3 m from ground level

Question ID : 630680418888

Option 1 ID : 6306801634264

Option 2 ID : 6306801634263

Option 3 ID : 6306801634265

Option 4 ID : 6306801634266

Status : Answered

Chosen Option : B

Q.19 A battery is to be formed by connecting cells in series and parallel. If the battery requires 6 V and 4 Ah capacity and the available cells are of 1.5 V and 2 Ah, the required arrangement of cells would then be:

- Ans**
- A. 2 parallel rows with 4 series connected cells in each row
 - B. 2 parallel rows with 2 series connected cells in each row
 - C. 4 parallel rows with 4 series connected cells in each row
 - D. 4 parallel rows with 2 series connected cells in each row

Question ID : 630680418947

Option 1 ID : 6306801634499

Option 2 ID : 6306801634502

Option 3 ID : 6306801634501

Option 4 ID : 6306801634500

Status : Answered

Chosen Option : A

Q.20 The rupturing capacity of a fuse in MVA is calculated as:

Ans A.

$$\text{Rupturing capacity in MVA} = \frac{\text{rated load current in amperes} \times \text{circuit voltage}}{10^3}$$

B.

$$\text{Rupturing capacity in MVA} = \frac{\text{fault current in amperes} \times \text{circuit voltage}}{10^6}$$

C.

$$\text{Rupturing capacity in MVA} = \frac{\text{rated load current in amperes} \times \text{circuit voltage}}{10^6}$$

D.

$$\text{Rupturing capacity in MVA} = \frac{\text{fault current in amperes} \times \text{circuit voltage}}{10^3}$$

Question ID : 630680418891

Option 1 ID : 6306801634278

Option 2 ID : 6306801634275

Option 3 ID : 6306801634276

Option 4 ID : 6306801634277

Status : Answered

Chosen Option : C

Q.21 What should be the immediate action taken to rescue the victim, if he is in contact with live electrical supply?

- Ans**
- A. Call the ambulance.
 - B. Break the contact by turning off the power supply.
 - C. Inform the neighbours about the accident.
 - D. Push the victim with the hand.

Question ID : **630680418849**
Option 1 ID : **6306801634107**
Option 2 ID : **6306801634109**
Option 3 ID : **6306801634110**
Option 4 ID : **6306801634108**
Status : **Answered**
Chosen Option : **B**

Q.22 The role of back EMF generated in a DC motor is to:

- Ans**
- A. self-regulate the speed of the motor
 - B. reduce the wear and tear of the brushes
 - C. compensate for the windage losses in the motor
 - D. self-regulate the current drawn by the motor

Question ID : **630680418813**
Option 1 ID : **6306801633963**
Option 2 ID : **6306801633966**
Option 3 ID : **6306801633965**
Option 4 ID : **6306801633964**
Status : **Answered**
Chosen Option : **A**

Q.23 Where is the damper winding located in alternators?

- Ans**
- A. Starter
 - B. Field pole core
 - C. In armature slots
 - D. Stator

Question ID : **630680418874**
Option 1 ID : **6306801634207**
Option 2 ID : **6306801634209**
Option 3 ID : **6306801634210**
Option 4 ID : **6306801634208**
Status : **Answered**
Chosen Option : **B**

Q.24 It is NOT recommended to run entertainment wiring in close proximity or parallel to power wiring in order to:

- Ans**
- A. control temperature in the home theatre wiring
 - B. avoid leakage current in the home theatre wiring
 - C. avoid electrical interference in the audio, video systems
 - D. reduce the power consumption in power supplies

Question ID : 630680418899
Option 1 ID : 6306801634308
Option 2 ID : 6306801634307
Option 3 ID : 6306801634309
Option 4 ID : 6306801634310
Status : Answered
Chosen Option : C

Q.25 Which section of the National Electric Code -2011 covers guidelines on safety procedures and practices in electrical work?

- Ans**
- A. Section 3
 - B. Section 8
 - C. Section 13
 - D. Section 19

Question ID : 630680418820
Option 1 ID : 6306801633994
Option 2 ID : 6306801633993
Option 3 ID : 6306801633991
Option 4 ID : 6306801633992
Status : Answered
Chosen Option : A

Q.26 Which electrolyte is used in alkaline cells?

- Ans**
- A. Concentrated hydrochloric acid
 - B. Ammonium chloride
 - C. Potassium hydroxide
 - D. Dilute sulphuric acid

Question ID : 630680418949
Option 1 ID : 6306801634510
Option 2 ID : 6306801634508
Option 3 ID : 6306801634509
Option 4 ID : 6306801634507
Status : Answered
Chosen Option : C

Q.27 What are the units for magnetic flux density?

- Ans
- A. Ampere-turns/m
 - B. Ampere-turns
 - C. Weber
 - D. Weber/m²

Question ID : 630680418922

Option 1 ID : 6306801634402

Option 2 ID : 6306801634401

Option 3 ID : 6306801634399

Option 4 ID : 6306801634400

Status : Answered

Chosen Option : D

Q.28 What is the speed of the rotating magnetic field in an AC 3-phase induction motor having 6 poles at a frequency of 50 Hz?

- Ans
- A. 1000 rpm
 - B. 3000 rpm
 - C. 500 rpm
 - D. 2000 rpm

Question ID : 630680418866

Option 1 ID : 6306801634176

Option 2 ID : 6306801634175

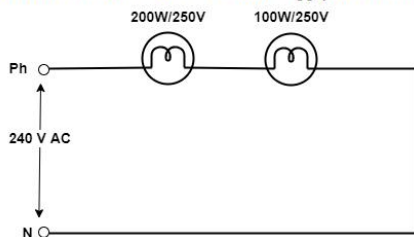
Option 3 ID : 6306801634178

Option 4 ID : 6306801634177

Status : Answered

Chosen Option : A

Q.29 The circuit shown in the given figure comprises of two lamps rated as 200 W/250 V and 100 W/250 V, which are connected in series across 240 V AC supply. Which of the following statements is true for the circuit?



Ans A. The 100 W lamp and 200 W lamp glow with equal brightness.

B. The 100 W lamp glows brighter than the 200 W lamp.

C. The 200 W lamp glows brighter than the 100 W lamp.

D.

The 200 W lamp glows brighter for some duration and the 100 W lamp glows brighter for rest of the duration.

Question ID : 630680418902

Option 1 ID : 6306801634321

Option 2 ID : 6306801634319

Option 3 ID : 6306801634320

Option 4 ID : 6306801634322

Status : Answered

Chosen Option : B

Q.30 A DC series motor should NOT be started on no-load condition because:

Ans A. the starter of the series motor gets damaged under no-load

B.

a cogging effect is produced in the series motor under no-load

C.

under no-load, the DC series motor runs at a very high speed

D.

under no-load, the DC series motor doesn't produce sufficient torque

Question ID : 630680418812

Option 1 ID : 6306801633961

Option 2 ID : 6306801633962

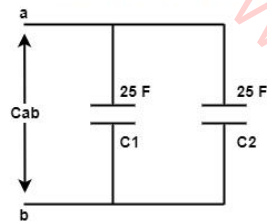
Option 3 ID : 6306801633959

Option 4 ID : 6306801633960

Status : Answered

Chosen Option : C

Q.31 Calculate the equivalent capacitance between terminals a and b for the circuit shown in the given figure.



Ans A. 12.5 F

B. 50 F

C. 100 F

D. 75 F

Question ID : 630680418920

Option 1 ID : 6306801634392

Option 2 ID : 6306801634391

Option 3 ID : 6306801634394

Option 4 ID : 6306801634393

Status : Answered

Chosen Option : B

Q.32 The secondary voltage of a 11 kV / 440 V transformer is 426 V at no-load. Under the full load condition, the same is 410 V at 0.92 power factor. Calculate the percentage voltage regulation of the transformer.

Ans A. 20%

B. 3.9%

C. 2%

D. 39%

Question ID : 630680418853

Option 1 ID : 6306801634124

Option 2 ID : 6306801634126

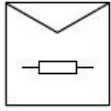
Option 3 ID : 6306801634123

Option 4 ID : 6306801634125

Status : Answered

Chosen Option : D

Q.33 Which of the following does the starter symbol in the given figure represent?



- Ans
- A. Auto-transformer starter
 - B. DOL starter
 - C. Rheostatic starter
 - D. Star/delta starter

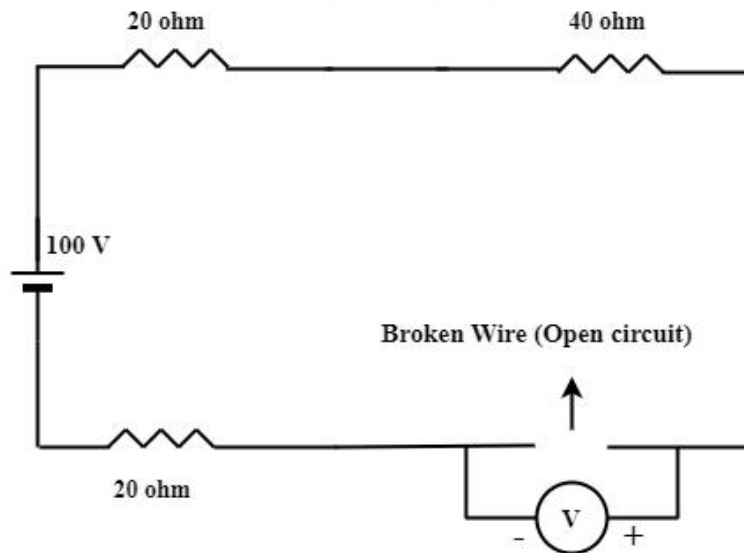
Question ID : 630680418862
Option 1 ID : 6306801634160
Option 2 ID : 6306801634161
Option 3 ID : 6306801634159
Option 4 ID : 6306801634162
Status : Answered
Chosen Option : C

Q.34 In a direct type reflector system, the light emerging upward is approximately in the range of:

- Ans
- A. 50% to 60%
 - B. 20% to 30%
 - C. 40% to 50%
 - D. 0% to 10%

Question ID : 630680418901
Option 1 ID : 6306801634315
Option 2 ID : 6306801634317
Option 3 ID : 6306801634316
Option 4 ID : 6306801634318
Status : Answered
Chosen Option : D

Q.35 What is the reading of the voltmeter in the circuit shown below?



- Ans
- A. 60 V
 - B. 0 V
 - C. 40 V
 - D. 100 V

Question ID : 630680418833

Option 1 ID : 6306801634046

Option 2 ID : 6306801634043

Option 3 ID : 6306801634044

Option 4 ID : 6306801634045

Status : Answered

Chosen Option : D

Q.36 The width of the brush in a duplex winding should be equal to the width of:

- Ans
- A. four commutator segments
 - B. one commutator segment
 - C. two commutator segments
 - D. three commutator segments

Question ID : 630680418933

Option 1 ID : 6306801634446

Option 2 ID : 6306801634443

Option 3 ID : 6306801634444

Option 4 ID : 6306801634445

Status : Answered

Chosen Option : A

Q.37 Which of the following statements is true for induction motors?

- Ans
- A. Slip ring motor has relatively less starting current.
 - B. Squirrel cage motor can be started with rotor resistance starter.
 - C. Slip ring motor has relatively less maintenance.
 - D. The starting torque of squirrel cage motor is relatively less.

Question ID : 630680418865
Option 1 ID : 6306801634174
Option 2 ID : 6306801634172
Option 3 ID : 6306801634171
Option 4 ID : 6306801634173
Status : Answered
Chosen Option : A

Q.38 If the colour band on a resistor is in the order: red, violet, orange and gold, then the value of the resistor is?

- Ans
- A. 56,000 ohm with +1% tolerance
 - B. 72,000 ohm with +2% tolerance
 - C. 32,000 ohm with +3% tolerance
 - D. 27,000 ohm with +5% tolerance

Question ID : 630680418831
Option 1 ID : 6306801634038
Option 2 ID : 6306801634037
Option 3 ID : 6306801634035
Option 4 ID : 6306801634036
Status : Answered
Chosen Option : D

Q.39 In a series RLC circuit at resonance, the net reactance of the circuit is:

- Ans
- A. 1 ohm
 - B. 200 ohm
 - C. 0 ohm
 - D. 100 ohm

Question ID : 630680418842
Option 1 ID : 6306801634079
Option 2 ID : 6306801634082
Option 3 ID : 6306801634081
Option 4 ID : 6306801634080
Status : Answered
Chosen Option : C

Q.40 In which of the following relays the operating time is independent of the magnitude of the fault quantity?

- Ans**
- A. Definite time relay
 - B. Inverse time relay
 - C. IDMT relay
 - D. Extremely inverse time relay

Question ID : 630680418912
Option 1 ID : 6306801634359
Option 2 ID : 6306801634360
Option 3 ID : 6306801634361
Option 4 ID : 6306801634362
Status : Answered
Chosen Option : A

Q.41 Which lamps are preferred for street lighting?

- Ans**
- A. Sodium vapour lamps
 - B. Compact fluorescent lamps
 - C. Neon sign lamps
 - D. Tungsten filaments

Question ID : 630680418904
Option 1 ID : 6306801634327
Option 2 ID : 6306801634330
Option 3 ID : 6306801634328
Option 4 ID : 6306801634329
Status : Answered
Chosen Option : A

Q.42 Which of the following DC machines has both series and shunt windings?

- Ans**
- A. Separately excited machine
 - B. Series machine
 - C. Shunt machine
 - D. Compound machine

Question ID : 630680418808
Option 1 ID : 6306801633946
Option 2 ID : 6306801633944
Option 3 ID : 6306801633943
Option 4 ID : 6306801633945
Status : Answered
Chosen Option : D

Q.43 Which of the following wiring systems has the longest life?

- Ans A. Metal conduit wiring
 B. Wooden batten
 C. PVC conduit wiring
 D. Casing and capping

Question ID : 630680418893
Option 1 ID : 6306801634286
Option 2 ID : 6306801634284
Option 3 ID : 6306801634285
Option 4 ID : 6306801634283
Status : Answered
Chosen Option : A

Q.44 Calculate the power consumed by a lamp that is supplied with 240 V supply. The current drawn by the lamp is 0.5 A.

- Ans A. 480 kW
 B. 120 kW
 C. 480 W
 D. 120 W

Question ID : 630680418827
Option 1 ID : 6306801634020
Option 2 ID : 6306801634021
Option 3 ID : 6306801634019
Option 4 ID : 6306801634022
Status : Answered
Chosen Option : D

Q.45 The power electric devices used in stepless fan regulators are:

- Ans A. TRIAC and DIAC
 B. BJT and FET
 C. IGBT and MOSFET
 D. SCR and GTO

Question ID : 630680418951
Option 1 ID : 6306801634515
Option 2 ID : 6306801634516
Option 3 ID : 6306801634517
Option 4 ID : 6306801634518
Status : Answered
Chosen Option : A

Q.46 A 1 mA ammeter has a resistance of 100 ohm. It is to be converted to a 1 A ammeter. The value of shunt resistance is:

- Ans**
- A. 0.8002 ohm
 - B. 0.1001 ohm
 - C. 18.182 ohm
 - D. 1.812 ohm.

Question ID : 630680418883

Option 1 ID : 6306801634243

Option 2 ID : 6306801634245

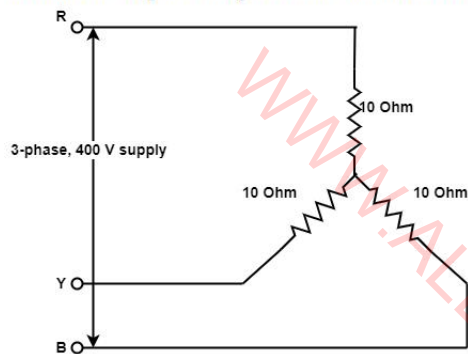
Option 3 ID : 6306801634246

Option 4 ID : 6306801634244

Status : Answered

Chosen Option : B

Q.47 A star connected resistive load, as shown in the given figure, is connected to a 3-phase, 440 V, 50 Hz supply. What will be the power dissipation in the load when one resistor arm gets opened?



- Ans**
- A. 16,000 W
 - B. 4000 W
 - C. 8000 W
 - D. 2000 W

Question ID : 630680418846

Option 1 ID : 6306801634098

Option 2 ID : 6306801634096

Option 3 ID : 6306801634097

Option 4 ID : 6306801634095

Status : Answered

Chosen Option : C

Q.48 Which relay is used to protect the stator winding of alternators?

- Ans**
- A. Buchholz relay
 - B. Mho relay
 - C. Differential relay
 - D. Distance relay

Question ID : 630680418911

Option 1 ID : 6306801634356

Option 2 ID : 6306801634358

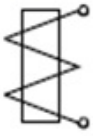
Option 3 ID : 6306801634357

Option 4 ID : 6306801634355

Status : Answered

Chosen Option : C

Q.49 The symbol shown in the given figure is of:



- Ans
- A. a moving coil instrument
 - B. a moving iron instrument
 - C. an electrodynamic quotient instrument
 - D. a moving coil instrument with rectifier

Question ID : 630680418882

Option 1 ID : 6306801634239

Option 2 ID : 6306801634240

Option 3 ID : 6306801634241

Option 4 ID : 6306801634242

Status : Answered

Chosen Option : C

Q.50 Which lightning arrester does NOT interrupt the power frequency follow current?

- Ans
- A. Expulsion type
 - B. Valve type
 - C. Rod gap
 - D. Disc type

Question ID : 630680418910

Option 1 ID : 6306801634352

Option 2 ID : 6306801634353

Option 3 ID : 6306801634351

Option 4 ID : 6306801634354

Status : Answered

Chosen Option : D

Q.51 A DC machine with two-layer lap winding has 20 commutator segments. Find the total number of conductors in the winding of the machine.

- Ans
- A. 40
 - B. 10
 - C. 60
 - D. 20

Question ID : 630680418806

Option 1 ID : 6306801633937

Option 2 ID : 6306801633935

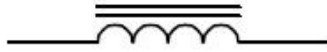
Option 3 ID : 6306801633938

Option 4 ID : 6306801633936

Status : Answered

Chosen Option : A

Q.52 Identify the symbol shown in the given figure.



- Ans
- A. Variable inductor
 - B. Tapped inductor
 - C. Air cored inductor
 - D. Iron cored inductor

Question ID : 630680418924

Option 1 ID : 6306801634408

Option 2 ID : 6306801634410

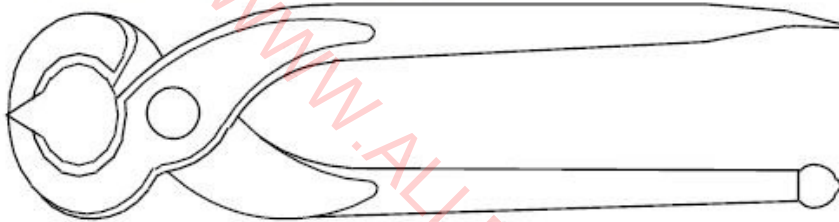
Option 3 ID : 6306801634407

Option 4 ID : 6306801634409

Status : Answered

Chosen Option : B

Q.53 Identify the tool shown in the given figure.



- Ans
- A. Round nose pliers
 - B. Diagonal cutting pliers
 - C. Combination pliers
 - D. Pincers

Question ID : 630680418848

Option 1 ID : 6306801634104

Option 2 ID : 6306801634105

Option 3 ID : 6306801634106

Option 4 ID : 6306801634103

Status : Answered

Chosen Option : D

Q.54 Which cells are used in pacemakers?

- Ans
- A. Lead acid cell
 - B. Nickel-iron cells
 - C. Lithium primary cells
 - D. Voltaic cell

Question ID : 630680418948

Option 1 ID : 6306801634505

Option 2 ID : 6306801634504

Option 3 ID : 6306801634506

Option 4 ID : 6306801634503

Status : Answered

Chosen Option : C

Q.55 Which of the following materials is used in underground cable joints as a hot pouring compound?

- Ans
- A. Epoxy cast resin compound
 - B. Bituminous compound
 - C. Cast resin compound
 - D. Polyamine hardener

Question ID : **630680418845**
Option 1 ID : **6306801634093**
Option 2 ID : **6306801634094**
Option 3 ID : **6306801634092**
Option 4 ID : **6306801634091**
Status : **Answered**
Chosen Option : **A**

Q.56 Which of the following devices can sense faults?

- Ans
- A. Isolator
 - B. Circuit breaker
 - C. Protective relay
 - D. Earth switch

Question ID : **630680418913**
Option 1 ID : **6306801634363**
Option 2 ID : **6306801634364**
Option 3 ID : **6306801634365**
Option 4 ID : **6306801634366**
Status : **Answered**
Chosen Option : **C**

Q.57 Which of the following tools is used to make holes in concrete walls and bricks?

- Ans
- A. Combination pliers
 - B. Spanner
 - C. Rawl plug jumper
 - D. Mallet

Question ID : **630680418816**
Option 1 ID : **6306801633975**
Option 2 ID : **6306801633978**
Option 3 ID : **6306801633977**
Option 4 ID : **6306801633976**
Status : **Answered**
Chosen Option : **C**

Q.58 The fusing factor of the HRC fuse is about:

- Ans
- A. 2.3
 - B. 1.1
 - C. 8
 - D. 5.9

Question ID : 630680418890
Option 1 ID : 6306801634272
Option 2 ID : 6306801634271
Option 3 ID : 6306801634274
Option 4 ID : 6306801634273
Status : Answered
Chosen Option : B

Q.59 For a decorative serial lamp circuit, calculate the number of 6 V lamps to be connected in a row. The supply voltage is 240 V. Assume 5% allowance for fluctuations in the supply voltage.

- Ans
- A. 36 lamps
 - B. 14 lamps
 - C. 22 lamps
 - D. 42 lamps

Question ID : 630680418906
Option 1 ID : 6306801634337
Option 2 ID : 6306801634335
Option 3 ID : 6306801634336
Option 4 ID : 6306801634338
Status : Answered
Chosen Option : D

Q.60 Calculate the percentage slip of a 50 Hz, 6 pole induction motor with a rotor speed of 960 rpm

- Ans
- A. 14%
 - B. 10%
 - C. 4%
 - D. 8%

Question ID : 630680418867
Option 1 ID : 6306801634179
Option 2 ID : 6306801634180
Option 3 ID : 6306801634182
Option 4 ID : 6306801634181
Status : Answered
Chosen Option : C

Q.61 What is the pick-up current of an over current relay having a current setting of 150% connected to a supply circuit through a CT of 500/5 A?

- Ans**
- A. 5 A
 - B. 1 A
 - C. 10 A
 - D. 7.5 A

Question ID : 630680418914
Option 1 ID : 6306801634368
Option 2 ID : 6306801634369
Option 3 ID : 6306801634370
Option 4 ID : 6306801634367
Status : Answered
Chosen Option : D

Q.62 Which of the following rules is adopted to determine the direction of the rotation of a DC motor?

- Ans**
- A. Right hand thumb rule
 - B. Flemings right hand rule
 - C. Flemings left hand rule
 - D. Left hand thumb rule

Question ID : 630680418873
Option 1 ID : 6306801634204
Option 2 ID : 6306801634203
Option 3 ID : 6306801634205
Option 4 ID : 6306801634206
Status : Answered
Chosen Option : C

Q.63 The recommended fuse rating of 10 HP, 15 A motor is approximately:

- Ans**
- A. 23 A
 - B. 17 A
 - C. 30 A
 - D. 35 A

Question ID : 630680418863
Option 1 ID : 6306801634164
Option 2 ID : 6306801634163
Option 3 ID : 6306801634165
Option 4 ID : 6306801634166
Status : Answered
Chosen Option : A

Q.64 Which of the following can be adopted to reduce the corona loss in overhead lines?

- Ans A. Using bundled conductors
- B. Increasing transmission line voltage levels
- C. Reducing the tower height
- D. Using solid conductors

Question ID : 630680418909
Option 1 ID : 6306801634347
Option 2 ID : 6306801634350
Option 3 ID : 6306801634349
Option 4 ID : 6306801634348
Status : Answered
Chosen Option : A

Q.65 Which motor can run on AC and DC supplies?

- Ans A. Stepper motor
- B. DC shunt motor
- C. Synchronous motor
- D. Universal motor

Question ID : 630680418871
Option 1 ID : 6306801634197
Option 2 ID : 6306801634198
Option 3 ID : 6306801634195
Option 4 ID : 6306801634196
Status : Answered
Chosen Option : D

Q.66 The bottom float of a Buchholz relay is activated for:

- Ans A. magnetic inrush current
- B. incipient faults
- C. minor faults
- D. severe faults

Question ID : 630680418860
Option 1 ID : 6306801634154
Option 2 ID : 6306801634152
Option 3 ID : 6306801634153
Option 4 ID : 6306801634151
Status : Answered
Chosen Option : B

Q.67 The Zener diode finds its application in:

- Ans A. voltage regulators
 B. oscillators
 C. multivibrators
 D. amplifiers

Question ID : 630680418937
Option 1 ID : 6306801634462
Option 2 ID : 6306801634460
Option 3 ID : 6306801634461
Option 4 ID : 6306801634459
Status : Answered
Chosen Option : A

Q.68 Find the impedance of an inductive coil having an inductive reactance of 10 ohm and resistance of 2 ohm.

- Ans A. 5.32 ohm
 B. 8.31 ohm
 C. 10.19 ohm
 D. 12.22 ohm

Question ID : 630680418838
Option 1 ID : 6306801634065
Option 2 ID : 6306801634064
Option 3 ID : 6306801634066
Option 4 ID : 6306801634063
Status : Answered
Chosen Option : C

Q.69 A transistor is connected in common base connection. The emitter current is 1 mA and the collector current is 0.95 mA. What is the value of the base current?

- Ans A. 0.05 mA
 B. 1.5 mA
 C. 1.95 mA
 D. 0.5 mA

Question ID : 630680418940
Option 1 ID : 6306801634472
Option 2 ID : 6306801634473
Option 3 ID : 6306801634474
Option 4 ID : 6306801634471
Status : Answered
Chosen Option : A

Q.70 Determine the amount of electrical energy consumed by an immersion heater rated as 1000 W, 230 V, used for 30 minutes.

- Ans**
- A. 50 kWh
 - B. 500 kWh
 - C. 0.5 kWh
 - D. 5 kWh

Question ID : 630680418828
Option 1 ID : 6306801634024
Option 2 ID : 6306801634026
Option 3 ID : 6306801634025
Option 4 ID : 6306801634023
Status : Answered
Chosen Option : C

Q.71 What is the capacitance of a capacitor that requires 0.5 C to charge it to 50 V?

- Ans**
- A. 25 nF
 - B. 25 F
 - C. 0.01 F
 - D. 0.01 nF

Question ID : 630680418925
Option 1 ID : 6306801634414
Option 2 ID : 6306801634412
Option 3 ID : 6306801634411
Option 4 ID : 6306801634413
Status : Answered
Chosen Option : C

Q.72 Which joint is used in overhead lines for tapping the electrical energy perpendicular to the service lines?

- Ans**
- A. Britannia tee joint
 - B. Married joint
 - C. Pig tail joint
 - D. Western union joint

Question ID : 630680418822
Option 1 ID : 6306801634001
Option 2 ID : 6306801634000
Option 3 ID : 6306801633999
Option 4 ID : 6306801634002
Status : Answered
Chosen Option : A

Q.73 In a centre-tapped full wave rectifier if V_m is the maximum voltage across half the secondary winding, then what is the peak inverse voltage?

- Ans**
- A. $2V_m$
 - B. $\frac{V_m}{2}$
 - C. $\frac{2V_m}{3}$
 - D. $\frac{3V_m}{2}$

Question ID : 630680418934

Option 1 ID : 6306801634449

Option 2 ID : 6306801634447

Option 3 ID : 6306801634450

Option 4 ID : 6306801634448

Status : Answered

Chosen Option : B

Q.74 In an electromagnetic induction disc type relay, the time of operation of the relay can be adjusted:

- Ans**
- A. by increasing the number of CTs
 - B. by changing the arc length through which the disc travels
 - C. by changing the relay plug setting
 - D. by increasing the number of PTs

Question ID : 630680418915

Option 1 ID : 6306801634373

Option 2 ID : 6306801634372

Option 3 ID : 6306801634371

Option 4 ID : 6306801634374

Status : Answered

Chosen Option : B

Q.75 If the armature current of a DC machine is 10 A, what is the value of the current flowing in the interpole winding?

- Ans**
- A. 20 A
 - B. 2.5 A
 - C. 5 A
 - D. 10 A

Question ID : 630680418810

Option 1 ID : 6306801633951

Option 2 ID : 6306801633954

Option 3 ID : 6306801633953

Option 4 ID : 6306801633952

Status : Answered

Chosen Option : D

Q.76 What is the purpose of galvanised steel armouring in underground cables?

- Ans
- A. To compensate for leakage current
 - B. To protect the cable from mechanical injury
 - C. To reduce dielectric loss
 - D. To reduce the Ferranti effect

Question ID : 630680418834
Option 1 ID : 6306801634050
Option 2 ID : 6306801634049
Option 3 ID : 6306801634047
Option 4 ID : 6306801634048
Status : Answered
Chosen Option : B

Q.77 The EMF induced in a DC generator is proportional to the:

- Ans
- A. frequency of operation
 - B. number of silicon laminations
 - C. speed at which the generator is rotated
 - D. number of dummy coils

Question ID : 630680418809
Option 1 ID : 6306801633950
Option 2 ID : 6306801633949
Option 3 ID : 6306801633947
Option 4 ID : 6306801633948
Status : Answered
Chosen Option : C

Q.78 Which type of rotor construction in an alternator has projected poles?

- Ans
- A. Salient pole type
 - B. Non-salient pole type
 - C. Axial type
 - D. Smooth cylindrical type

Question ID : 630680418876
Option 1 ID : 6306801634217
Option 2 ID : 6306801634215
Option 3 ID : 6306801634218
Option 4 ID : 6306801634216
Status : Answered
Chosen Option : A

Q.79 A single-phase series RC circuit has a resistance of 160 ohm and the impedance of 400 ohm. What is the power factor of the circuit?

- Ans**
- A. 0.4
 - B. 0.6
 - C. 2.5
 - D. 1

Question ID : 630680418931
Option 1 ID : 6306801634435
Option 2 ID : 6306801634438
Option 3 ID : 6306801634437
Option 4 ID : 6306801634436
Status : Answered
Chosen Option : A

Q.80 Calculate the capacitance in an AC circuit with an input frequency of 100 Hz and capacitive reactance of 1.5 milli ohm.

- Ans**
- A. 1.061 F
 - B. 1.061 micro F
 - C. 2.381 F
 - D. 2.381 micro F

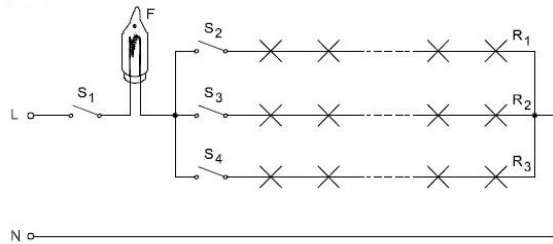
Question ID : 630680418837
Option 1 ID : 6306801634061
Option 2 ID : 6306801634060
Option 3 ID : 6306801634059
Option 4 ID : 6306801634062
Status : Answered
Chosen Option : A

Q.81 Which of the following is a distinguishing feature of a core type transformer?

- Ans**
- A. It has a ball bearings under the core.
 - B. The winding surrounds the considerable part of the core.
 - C. The core surrounds the considerable part of the winding.
 - D. It has roller bearings under the core.

Question ID : 630680418857
Option 1 ID : 6306801634141
Option 2 ID : 6306801634139
Option 3 ID : 6306801634140
Option 4 ID : 6306801634142
Status : Answered
Chosen Option : B

Q.82 A flasher (F) is connected in a decoration lighting system with three rows (R_1, R_2, R_3) of lamps as shown in the given figure. If the current in each row is 200 mA, what should be the current carrying capacity of the flasher?



- Ans**
- A. 600 mA
 - B. 500 mA
 - C. 300 mA
 - D. 200 mA

Question ID : 630680418905

Option 1 ID : 6306801634331

Option 2 ID : 6306801634333

Option 3 ID : 6306801634332

Option 4 ID : 6306801634334

Status : Answered

Chosen Option : A

Q.83 Calculate the phase voltage for a 3-phase balanced system connected in star if the line voltage is 400 V.

- Ans**
- A. 230 V
 - B. 690 V
 - C. 50 V
 - D. 1200 V

Question ID : 630680418844

Option 1 ID : 6306801634089

Option 2 ID : 6306801634088

Option 3 ID : 6306801634090

Option 4 ID : 6306801634087

Status : Answered

Chosen Option : A

Q.84 Damping torque in indicating instruments is always:

- Ans**
- A. in the same direction of the controlling torque
 - B. opposite to the controlling torque
 - C. in the opposite direction of the motion of the moving system
 - D. opposite to the deflecting torque

Question ID : 630680418952

Option 1 ID : 6306801634520

Option 2 ID : 6306801634521

Option 3 ID : 6306801634522

Option 4 ID : 6306801634519

Status : Answered

Chosen Option : D

Q.85 What is the frequency of 2 pole alternator running at 3600 rpm?

- Ans
- A. 18 Hz
 - B. 30 Hz
 - C. 50 Hz
 - D. 60 Hz

Question ID : 630680418872
Option 1 ID : 6306801634202
Option 2 ID : 6306801634201
Option 3 ID : 6306801634200
Option 4 ID : 6306801634199
Status : Answered
Chosen Option : D

Q.86 Identify the symbol shown in the given figure.



- Ans
- A. Exhaust fan
 - B. Ceiling fan
 - C. Buzzer
 - D. Siren

Question ID : 630680418885
Option 1 ID : 6306801634254
Option 2 ID : 6306801634251
Option 3 ID : 6306801634252
Option 4 ID : 6306801634253
Status : Answered
Chosen Option : A

Q.87 A current transformer has a single turn primary and a 200 turn secondary and is used to measure AC current with the help of a standard 5 A ammeter. This arrangement can measure a line current up to _____.

- Ans
- A. 500 A
 - B. 200 A
 - C. 1000 A
 - D. 40 A

Question ID : 630680418950
Option 1 ID : 6306801634513
Option 2 ID : 6306801634512
Option 3 ID : 6306801634514
Option 4 ID : 6306801634511
Status : Answered
Chosen Option : C

Q.88 Which type of capacitors are used in loudspeakers?

- Ans**
- A. Electrolytic
 - B. Glass
 - C. Ceramic
 - D. Paper

Question ID : **630680418928**
Option 1 ID : **6306801634424**
Option 2 ID : **6306801634426**
Option 3 ID : **6306801634425**
Option 4 ID : **6306801634423**
Status : **Answered**
Chosen Option : **A**

Q.89 In an interleaved arrangement of transformer HV and LV windings, the LV winding is kept nearest to the core because:

- Ans**
- A. LV winding is more circular
 - B. LV winding is easy to handle
 - C. LV winding offers more mechanical stability
 - D. LV winding is easy to insulate

Question ID : **630680418859**
Option 1 ID : **6306801634148**
Option 2 ID : **6306801634147**
Option 3 ID : **6306801634150**
Option 4 ID : **6306801634149**
Status : **Answered**
Chosen Option : **C**

Q.90 Which of the following is an example of low resistance?

- Ans**
- A. Resistance of motor starter
 - B. Resistance of immersion heater
 - C. Insulation resistance
 - D. Resistance of armature winding

Question ID : **630680418832**
Option 1 ID : **6306801634041**
Option 2 ID : **6306801634040**
Option 3 ID : **6306801634042**
Option 4 ID : **6306801634039**
Status : **Answered**
Chosen Option : **D**

Q.91 Which torque in measuring instruments is responsible to bring back the pointer to initial position when the instrument is disconnected from the supply?

- Ans**
- A. Deflecting torque
 - B. Controlling torque
 - C. Critical torque
 - D. Damping torque

Question ID : 630680418881

Option 1 ID : 6306801634236

Option 2 ID : 6306801634237

Option 3 ID : 6306801634238

Option 4 ID : 6306801634235

Status : Answered

Chosen Option : D

Q.92 What is the formula to calculate the heat H generated by a heating element as per Joules Law, if R is the resistance of the element in ohm, I is the current flowing in amperes, t is time in seconds, and j is the mechanical equivalent of heat?

- Ans**
- A. $H = \frac{I^2 R t^2}{j}$ calories
 - B. $H = \frac{I^2 R j}{t}$ calories
 - C. $H = \frac{I^2 R t}{j}$ calories
 - D. $H = \frac{I^2 R j^2}{t}$ calories

Question ID : 630680418917

Option 1 ID : 6306801634381

Option 2 ID : 6306801634380

Option 3 ID : 6306801634379

Option 4 ID : 6306801634382

Status : Answered

Chosen Option : C

Q.93 The function of the silica gel breather in a transformer is to:

- Ans**
- A. detect internal faults
 - B. arrest the moisture
 - C. detect incipient faults
 - D. regulate voltage

Question ID : 630680418851

Option 1 ID : 6306801634117

Option 2 ID : 6306801634115

Option 3 ID : 6306801634118

Option 4 ID : 6306801634116

Status : Answered

Chosen Option : B

Q.94 Which of the following machines is termed as a synchronous generator?

- Ans**
- A. Gas turbine
 - B. Induction machine
 - C. Alternator
 - D. DC machine

Question ID : 630680418877
Option 1 ID : 6306801634220
Option 2 ID : 6306801634222
Option 3 ID : 6306801634219
Option 4 ID : 6306801634221
Status : Answered
Chosen Option : C

Q.95 While performing a charge-discharge test, a bright spark from the shorted capacitor terminals is an indication of:

- Ans**
- A. open capacitor
 - B. faulty capacitor
 - C. working capacitor
 - D. weak capacitor

Question ID : 630680418869
Option 1 ID : 6306801634188
Option 2 ID : 6306801634190
Option 3 ID : 6306801634187
Option 4 ID : 6306801634189
Status : Answered
Chosen Option : C

Q.96 In the case of a lighting installation in a domestic application, the diversity factor can be assumed to be around:

- Ans**
- A. 44%
 - B. 33%
 - C. 22%
 - D. 66%

Question ID : 630680418898
Option 1 ID : 6306801634305
Option 2 ID : 6306801634303
Option 3 ID : 6306801634304
Option 4 ID : 6306801634306
Status : Answered
Chosen Option : A

Q.97 Thyrite material is used in lightning arrestors because:

Ans A.

it acts as a non-conducting material for lower and higher voltages

B.

it acts as a conducting material for lower and higher voltages

C.

at lower voltages, thyrite acts as a conducting material and at higher voltages it acts as a non-conducting material

D.

at lower voltages, thyrite acts as a non-conducting material and at higher voltages it acts as a good conductor

Question ID : 630680418824

Option 1 ID : 6306801634008

Option 2 ID : 6306801634009

Option 3 ID : 6306801634007

Option 4 ID : 6306801634010

Status : Answered

Chosen Option : D

Q.98 The dissipation of energy due to hysteresis loss appears in the form of:

Ans A. heat

B. additional flux

C. radio activity

D. increased permeability

Question ID : 630680418921

Option 1 ID : 6306801634398

Option 2 ID : 6306801634397

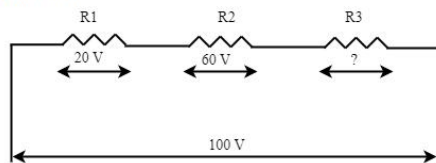
Option 3 ID : 6306801634395

Option 4 ID : 6306801634396

Status : Answered

Chosen Option : A

Q.99 Three resistors are connected in series, as shown in the given figure. Calculate the value of the voltage across resistor R3:



Ans A. 100 V

B. 80 V

C. 120 V

D. 20 V

Question ID : 630680418830

Option 1 ID : 6306801634033

Option 2 ID : 6306801634032

Option 3 ID : 6306801634034

Option 4 ID : 6306801634031

Status : Answered

Chosen Option : D

Q.100 The watt-hour efficiency of a cell can be obtained from the ampere-hour efficiency by using the relation:

Ans A.

$$\text{Watt - hour efficiency} = \frac{\text{average volts on discharge}}{\text{average volts on charge} \times \text{ampere - hour efficiency}}$$

B.

$$\text{Watt - hour efficiency} = \frac{\text{average volts on charge}}{\text{average volts on discharge} \times \text{ampere - hour efficiency}}$$

C.

$$\text{Watt - hour efficiency} = \frac{\text{ampere - hour efficiency} \times \text{average volts on charge}}{\text{average volts on discharge}}$$

D.

$$\text{Watt - hour efficiency} = \frac{\text{ampere - hour efficiency} \times \text{average volts on discharge}}{\text{average volts on charge}}$$

Question ID : 630680418944

Option 1 ID : 6306801634489

Option 2 ID : 6306801634490

Option 3 ID : 6306801634488

Option 4 ID : 6306801634487

Status : Answered

Chosen Option : A

Q.101 Which of the following is an example of a screened cable?

Ans A. Pressure cable

B. H-type cable

C. Belted cable

D. Overhead cable

Question ID : 630680418835

Option 1 ID : 6306801634053

Option 2 ID : 6306801634051

Option 3 ID : 6306801634052

Option 4 ID : 6306801634054

Status : Answered

Chosen Option : B

Q.102 The material employed for commutator segments in DC machines is:

Ans A. wood

B. hard drawn copper

C. rubber

D. silicon steel

Question ID : 630680418805

Option 1 ID : 6306801633932

Option 2 ID : 6306801633934

Option 3 ID : 6306801633931

Option 4 ID : 6306801633933

Status : Answered

Chosen Option : B

Q.103 Which of the following methods is suggested to bring down the earth electrode resistance to an acceptable value?

- Ans
- A. Treating the earth pit with silica gel
 - B. Coating the earth electrodes with paint
 - C. Connecting a number of earth electrodes in series
 - D. Connecting a number of earth electrodes in parallel

Question ID : 630680418892
Option 1 ID : 6306801634282
Option 2 ID : 6306801634279
Option 3 ID : 6306801634280
Option 4 ID : 6306801634281
Status : Answered
Chosen Option : D

Q.104 What is the type of fuse used in domestic wiring?

- Ans
- A. Residual fuse
 - B. HRC fuse
 - C. Rewirable fuse
 - D. Electromagnetic fuse

Question ID : 630680418886
Option 1 ID : 6306801634258
Option 2 ID : 6306801634257
Option 3 ID : 6306801634256
Option 4 ID : 6306801634255
Status : Answered
Chosen Option : C

Q.105 A single LED is to be connected to a 36 V supply. Find the value of resistance to be connected in series for safe operation of the LED. Assume the forward voltage drop of LED as 2 V and the current through the LED as 20 mA.

- Ans
- A. 1700 ohm
 - B. 1300 ohm
 - C. 1800 ohm
 - D. 1500 ohm

Question ID : 630680418908
Option 1 ID : 6306801634345
Option 2 ID : 6306801634346
Option 3 ID : 6306801634343
Option 4 ID : 6306801634344
Status : Answered
Chosen Option : C

Q.106 The space between the outer casing and the inner tank of a geyser is filled with _____.

- Ans
- A. varnish
 - B. wood chips
 - C. glass wool
 - D. mica

Question ID : 630680418916
Option 1 ID : 6306801634378
Option 2 ID : 6306801634375
Option 3 ID : 6306801634377
Option 4 ID : 6306801634376
Status : Answered
Chosen Option : C

Q.107 Where is the Buchholz relay installed in a transformer?

- Ans
- A. In between the transformer main tank and the conservator tank
 - B. Inside the transformer main tank
 - C. In between the transformer main tank and the bushing
 - D. Inside the conservator tank

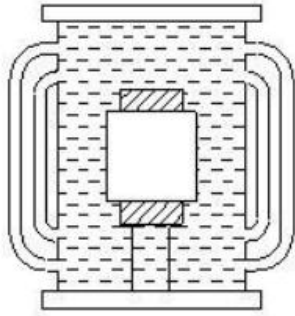
Question ID : 630680418850
Option 1 ID : 6306801634113
Option 2 ID : 6306801634111
Option 3 ID : 6306801634114
Option 4 ID : 6306801634112
Status : Answered
Chosen Option : A

Q.108 Which of the following is NOT a condition for parallel operation of transformers?

- Ans
- A. Same polarity
 - B. Same voltage ratio
 - C. Same phase sequence
 - D. Same method of cooling

Question ID : 630680418855
Option 1 ID : 6306801634132
Option 2 ID : 6306801634131
Option 3 ID : 6306801634133
Option 4 ID : 6306801634134
Status : Answered
Chosen Option : D

Q.109 What is the cooling method of the transformer shown in the given figure?



- Ans A. Oil natural cooling
 B. Oil natural water forced cooling
 C. Oil forced air forced cooling
 D. Oil natural air forced cooling

Question ID : 630680418858

Option 1 ID : 6306801634146

Option 2 ID : 6306801634143

Option 3 ID : 6306801634144

Option 4 ID : 6306801634145

Status : Answered

Chosen Option : A

Q.110 When an induction motor is made to run above its synchronous speed, it acts as:

- Ans A. an induction generator
 B. a universal motor
 C. a DC motor
 D. a synchronous condenser

Question ID : 630680418868

Option 1 ID : 6306801634183

Option 2 ID : 6306801634186

Option 3 ID : 6306801634185

Option 4 ID : 6306801634184

Status : Answered

Chosen Option : A

Q.111 A DC shunt machine working as a motor is connected to 200 V DC supply. The armature current drawn by the motor under full load is 10 A. If the armature resistance is 0.5 ohm, calculate the back EMF induced in the motor.

- Ans A. 195 V
 B. 210 V
 C. 180 V
 D. 205 V

Question ID : 630680418814

Option 1 ID : 6306801633969

Option 2 ID : 6306801633970

Option 3 ID : 6306801633967

Option 4 ID : 6306801633968

Status : Answered

Chosen Option : A

Q.112 Which of the following steps indicate the correct order for the operation of a fire extinguisher?

- Ans
- A. Pull, aim, squeeze, sweep
 - B. Aim, squeeze, pull, sweep
 - C. Aim, pull, squeeze, sweep
 - D. Pull, aim, sweep, squeeze

Question ID : 630680418819
Option 1 ID : 6306801633987
Option 2 ID : 6306801633990
Option 3 ID : 6306801633988
Option 4 ID : 6306801633989
Status : Answered
Chosen Option : A

Q.113 The change in the phase sequence of an alternator effects which of the following loads?

- Ans
- A. Electric iron
 - B. Heating loads
 - C. Induction motors
 - D. Lighting loads

Question ID : 630680418875
Option 1 ID : 6306801634214
Option 2 ID : 6306801634213
Option 3 ID : 6306801634212
Option 4 ID : 6306801634211
Status : Answered
Chosen Option : C

Q.114 A 25 kVA, a single-phase transformer has 250 turns on the primary and 40 turns on the secondary winding. The primary is connected to 1500 V, 50 Hz. Calculate the secondary current on full load.

- Ans
- A. 55 A
 - B. 16 A
 - C. 104.2 A
 - D. 5 A

Question ID : 630680418852
Option 1 ID : 6306801634121
Option 2 ID : 6306801634119
Option 3 ID : 6306801634120
Option 4 ID : 6306801634122
Status : Answered
Chosen Option : C

Q.115 In a brushless excitation system, the main exciter armature winding is located on the:

- Ans
- A. pole shoes
 - B. stator
 - C. commutator
 - D. rotor

Question ID : 630680418878
Option 1 ID : 6306801634225
Option 2 ID : 6306801634223
Option 3 ID : 6306801634226
Option 4 ID : 6306801634224
Status : Answered
Chosen Option : D

Q.116 The resistivity of pure germanium under standard condition is about:

- Ans
- A. 3×10^{-4} ohm-cm
 - B. 60 ohm-cm
 - C. 3×10^6 ohm-cm
 - D. 6×10^4 ohm-cm

Question ID : 630680418935
Option 1 ID : 6306801634454
Option 2 ID : 6306801634452
Option 3 ID : 6306801634453
Option 4 ID : 6306801634451
Status : Answered
Chosen Option : A

Q.117 Which of the following is a semiconductor material?

- Ans
- A. Germanium
 - B. Copper
 - C. Wood
 - D. Aluminium

Question ID : 630680418823
Option 1 ID : 6306801634003
Option 2 ID : 6306801634004
Option 3 ID : 6306801634005
Option 4 ID : 6306801634006
Status : Answered
Chosen Option : A

Q.118 The maximum rectification efficiency of a full-wave rectifier is _____.

- Ans
- A. 40.1%
 - B. 92.6%
 - C. 81.2%
 - D. 63.33%

Question ID : 630680418936
Option 1 ID : 6306801634455
Option 2 ID : 6306801634458
Option 3 ID : 6306801634457
Option 4 ID : 6306801634456
Status : Answered
Chosen Option : C

Q.119 A self-excited DC shunt generator fails to build up voltage under which of the following scenarios?

- Ans
- A. The speed of the generator is above the critical speed.
 - B. Brushes are ahead of the neutral plane.
 - C. Residual magnetism is completely lost.
 - D. The field circuit resistance is less than the critical field resistance.

Question ID : 630680418954
Option 1 ID : 6306801634527
Option 2 ID : 6306801634530
Option 3 ID : 6306801634529
Option 4 ID : 6306801634528
Status : Answered
Chosen Option : C

Q.120 Determine the inductive reactance of a 40-mH coil operating at a frequency of 1000 Hz.

- Ans
- A. 251.2 kilo ohm
 - B. 125.6 kilo ohm
 - C. 125.6 ohm
 - D. 251.2 ohm

Question ID : 630680418836
Option 1 ID : 6306801634057
Option 2 ID : 6306801634056
Option 3 ID : 6306801634058
Option 4 ID : 6306801634055
Status : Answered
Chosen Option : D

Q.121 A fire caused due to metals and electrical equipment is classified as:

- Ans A. Class D
 B. Class B
 C. Class A
 D. Class C

Question ID : 630680418818

Option 1 ID : 6306801633986

Option 2 ID : 6306801633984

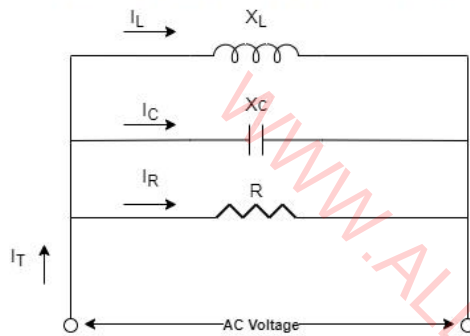
Option 3 ID : 6306801633983

Option 4 ID : 6306801633985

Status : Answered

Chosen Option : A

Q.122 What is the expression for the total current I_T for the circuit shown in the given figure?



Ans

- A. $I_T = \sqrt{(I_C + I_L)^2 + I_R^2}$
 B. $I_T = \sqrt{(I_C - I_L)^2 + I_R^2}$
 C. $I_T = \sqrt{(I_C - I_L)^2 - I_R^2}$
 D. $I_T = \sqrt{(I_C + I_L)^2 - I_R^2}$

Question ID : 630680418932

Option 1 ID : 6306801634440

Option 2 ID : 6306801634439

Option 3 ID : 6306801634441

Option 4 ID : 6306801634442

Status : Answered

Chosen Option : B

Q.123 As per BIS, the standard value of insulation resistance in a house wiring system with PVC insulated cables is given by:

Ans A.

Standard value of insulation resistance = $\frac{12.5}{\text{number of points in the circuit}}$ kilo ohm

B.

Standard value of insulation resistance = $\frac{50}{\text{number of points in the circuit}}$ mega ohm

C.

Standard value of insulation resistance = $\frac{12.5}{\text{number of points in the circuit}}$ mega ohm

D.

Standard value of insulation resistance = $\frac{50}{\text{number of points in the circuit}}$ kilo ohm

Question ID : 630680418895

Option 1 ID : 6306801634293

Option 2 ID : 6306801634292

Option 3 ID : 6306801634291

Option 4 ID : 6306801634294

Status : Answered

Chosen Option : B

Q.124 A 60 W light bulb usually produces 540 lumens. What is the luminous efficiency of the bulb?

Ans A. 9 lumens/watt

B. 22.22 lumens/watt

C. 18 lumens/watt

D. 11.11 lumens/watt

Question ID : 630680418907

Option 1 ID : 6306801634339

Option 2 ID : 6306801634342

Option 3 ID : 6306801634341

Option 4 ID : 6306801634340

Status : Answered

Chosen Option : A

Q.125 The L series MCBs are designed to protect which of the following circuits?

Ans A. Resistive circuits

B. Inductive loads

C. DC controls

D. Locomotives

Question ID : 630680418889

Option 1 ID : 6306801634270

Option 2 ID : 6306801634268

Option 3 ID : 6306801634269

Option 4 ID : 6306801634267

Status : Answered

Chosen Option : B

Q.126 A single-phase wattmeter has the following ranges:
Pressure coil = 500/250/125 V
Current coil = 20/10/5 A
What is the meter constant for a range of 125 V, 5 A. The full-scale deflection of the wattmeter is 625 W.

- Ans**
- A. 1
 - B. 0
 - C. 8
 - D. 625

Question ID : 630680418861
Option 1 ID : 6306801634158
Option 2 ID : 6306801634157
Option 3 ID : 6306801634155
Option 4 ID : 6306801634156
Status : Answered
Chosen Option : A

Q.127 Calculate the power drawn by a single incandescent lamp rated 250 V when it carries a current of 0.5 A, if the resistance is 500 ohm .

- Ans**
- A. 100 W
 - B. 125 W
 - C. 500 W
 - D. 250 W

Question ID : 630680418927
Option 1 ID : 6306801634420
Option 2 ID : 6306801634422
Option 3 ID : 6306801634419
Option 4 ID : 6306801634421
Status : Answered
Chosen Option : B

Q.128 Estimate the recommended hp of the motor to drive a pump whose output is 21 hp. The efficiency of the pump is 70% and the efficiency of the motor is 90%.

- Ans**
- A. 45 hp
 - B. 20 hp
 - C. 50 hp
 - D. 35 hp

Question ID : 630680418919
Option 1 ID : 6306801634387
Option 2 ID : 6306801634389
Option 3 ID : 6306801634390
Option 4 ID : 6306801634388
Status : Answered
Chosen Option : D

Q.129 The power consumed in a pure inductive circuit is:

- Ans A. zero
- B. directly proportional to the value of inductance
- C. directly proportional to the value of the supply voltage
- D. inversely proportional to the supply frequency

Question ID : 630680418926
Option 1 ID : 6306801634415
Option 2 ID : 6306801634416
Option 3 ID : 6306801634417
Option 4 ID : 6306801634418
Status : Answered
Chosen Option : A

Q.130 Determine the amount of power consumed by a 3-phase, delta connected load, operating at 0.8 pf. The line voltage and current are 440 volts and 10 A, respectively.

- Ans A. 600 W
- B. 800 W
- C. 6 kW
- D. 8 kW

Question ID : 630680418847
Option 1 ID : 6306801634099
Option 2 ID : 6306801634102
Option 3 ID : 6306801634101
Option 4 ID : 6306801634100
Status : Answered
Chosen Option : C

Q.131 What is the cause of creeping error in an energy meter?

- Ans A. Over-compensation for hysteresis
- B. Under-compensation for friction
- C. Over-compensation for friction
- D. Under-compensation for hysteresis

Question ID : 630680418884
Option 1 ID : 6306801634250
Option 2 ID : 6306801634247
Option 3 ID : 6306801634248
Option 4 ID : 6306801634249
Status : Answered
Chosen Option : C

Q.132 Which of the following laws states that the sum of the incoming currents is equal to the sum of the outgoing currents?

- Ans**
- A. Lenz Law
 - B. Kirchoff's Current Law
 - C. Faradays Law
 - D. Ohm Law

Question ID : 630680418829
Option 1 ID : 6306801634029
Option 2 ID : 6306801634028
Option 3 ID : 6306801634030
Option 4 ID : 6306801634027
Status : Answered
Chosen Option : B

Q.133 What is meant by pull-out torque in synchronous motors?

- Ans**
- A. The torque at the time of starting
 - B. The lowest torque that the motor can develop
 - C. The maximum torque that the motor can develop after losing synchronism
 - D. The maximum torque that the motor can develop without pulling out of synchronism

Question ID : 630680418879
Option 1 ID : 6306801634229
Option 2 ID : 6306801634227
Option 3 ID : 6306801634230
Option 4 ID : 6306801634228
Status : Answered
Chosen Option : D

Q.134 Delta (primary) - Star (secondary) connection is preferred for distribution transformers so as to:

- Ans**
- A. compensate for the eddy current losses
 - B. prevent overheating
 - C. facilitate the 3-phase 4 wire distribution system
 - D. reduce overloading

Question ID : 630680418854
Option 1 ID : 6306801634127
Option 2 ID : 6306801634130
Option 3 ID : 6306801634128
Option 4 ID : 6306801634129
Status : Answered
Chosen Option : C

Q.135 The process of depositing a metal on the surface of another metal by electrolysis is termed as:

- Ans
- A. electrocution
 - B. electromagnetism
 - C. electroplating
 - D. electrocoupling

Question ID : 630680418942
Option 1 ID : 6306801634481
Option 2 ID : 6306801634480
Option 3 ID : 6306801634482
Option 4 ID : 6306801634479
Status : Answered
Chosen Option : C

Q.136 Calculate the hot resistance of a bulb with 200 W, 230 V rating.

- Ans
- A. 264.5 ohm
 - B. 0.869 ohm
 - C. 1.15 ohm
 - D. 312.5 ohm

Question ID : 630680418826
Option 1 ID : 6306801634016
Option 2 ID : 6306801634017
Option 3 ID : 6306801634018
Option 4 ID : 6306801634015
Status : Answered
Chosen Option : A

Q.137 Filling up the tungsten filament lamp with an inert gas helps in:

- Ans
- A. reduction of filament length
 - B. enhancement of the resistivity of the tungsten
 - C. reduction of the rate of evaporation of the tungsten filament
 - D. reduction of filament vibrations

Question ID : 630680418900
Option 1 ID : 6306801634314
Option 2 ID : 6306801634312
Option 3 ID : 6306801634311
Option 4 ID : 6306801634313
Status : Answered
Chosen Option : C

Q.138 Which of the following is termed as a synchronous condenser?

- Ans
- A. A synchronous generator being rotated below rated speed
 - B. A synchronous generator being rotated above rated speed
 - C. An under excited synchronous motor running under full load
 - D. An over excited synchronous motor running under no-load

Question ID : 630680418843
Option 1 ID : 6306801634086
Option 2 ID : 6306801634085
Option 3 ID : 6306801634083
Option 4 ID : 6306801634084
Status : Answered
Chosen Option : D

Q.139 Which of the following speed control methods is NOT applicable for squirrel cage induction motors?

- Ans
- A. Speed control by changing the applied frequency
 - B. Speed control by changing the number of poles
 - C. Speed control by changing the applied voltage
 - D. Speed control by rotor rheostat

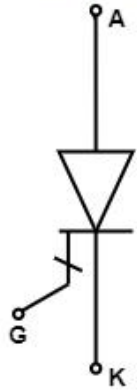
Question ID : 630680418953
Option 1 ID : 6306801634524
Option 2 ID : 6306801634525
Option 3 ID : 6306801634523
Option 4 ID : 6306801634526
Status : Answered
Chosen Option : D

Q.140 Which of the following statements is true with respect to power MOSFET?

- Ans
- A. Power MOSFET has negative temperature coefficient for resistance.
 - B. Parallel operation of power MOSFET is difficult and requires power sharing resistors.
 - C. Secondary breakdown doesn't occur in power MOSFET.
 - D. Power MOSFET is a current controlled device.

Question ID : 630680418941
Option 1 ID : 6306801634476
Option 2 ID : 6306801634477
Option 3 ID : 6306801634478
Option 4 ID : 6306801634475
Status : Answered
Chosen Option : C

Q.141 Identify the device shown in the given figure.



- Ans
- A. TRIAC
 - B. MOSFET
 - C. GTO
 - D. IGBT

Question ID : 630680418938
 Option 1 ID : 6306801634464
 Option 2 ID : 6306801634463
 Option 3 ID : 6306801634466
 Option 4 ID : 6306801634465
 Status : Answered
 Chosen Option : C

Q.142 The purpose of the starter in a DC motor is to:

- Ans
- A. reduce eddy current losses
 - B. provide mechanical input to the motor
 - C. provide speed control
 - D. regulate the high starting current

Question ID : 630680418811
 Option 1 ID : 6306801633958
 Option 2 ID : 6306801633956
 Option 3 ID : 6306801633955
 Option 4 ID : 6306801633957
 Status : Answered
 Chosen Option : D

Q.143 Which of the following power electronic devices exhibits bidirectional conducting capabilities?

- Ans
- A. Diode
 - B. TRIAC
 - C. SCR
 - D. BJT

Question ID : 630680418939
 Option 1 ID : 6306801634470
 Option 2 ID : 6306801634467
 Option 3 ID : 6306801634469
 Option 4 ID : 6306801634468
 Status : Answered
 Chosen Option : B

Q.144 As per IE rules what should be the clearance of the lowest conductor above the ground along a street for low and medium voltage lines?

- Ans
- A. 3.2 m
 - B. 8.8 m
 - C. 10.5 m
 - D. 5.5 m

Question ID : 630680418887
Option 1 ID : 6306801634262
Option 2 ID : 6306801634260
Option 3 ID : 6306801634261
Option 4 ID : 6306801634259
Status : Answered
Chosen Option : D

Q.145 Which of the following is NOT an application of synchronous motors?

- Ans
- A. Traction motor
 - B. Constant load drives
 - C. Power factor correction
 - D. Voltage regulation

Question ID : 630680418880
Option 1 ID : 6306801634234
Option 2 ID : 6306801634232
Option 3 ID : 6306801634231
Option 4 ID : 6306801634233
Status : Answered
Chosen Option : A

Q.146 The direction of rotation of a shaded pole motor is from:

- Ans
- A. the shaded part to unshaded part
 - B. start winding to run winding
 - C. the unshaded part to the shaded part
 - D. run winding to start winding

Question ID : 630680418870
Option 1 ID : 6306801634191
Option 2 ID : 6306801634193
Option 3 ID : 6306801634192
Option 4 ID : 6306801634194
Status : Answered
Chosen Option : C

Q.147 An AC relay, when connected to DC supply will:

- Ans A. draw more current and result in burning out the coil
- B. draw less current and fail to operate
- C. act normally
- D. give a buzzing noise

Question ID : 630680418896
Option 1 ID : 6306801634297
Option 2 ID : 6306801634295
Option 3 ID : 6306801634298
Option 4 ID : 6306801634296
Status : Answered
Chosen Option : A

Q.148 A 25 kVA, 2000/200 volts, single-phase transformer has iron and full load copper loss of 350 W and 450 W, respectively. Calculate the iron loss at half full load unity power factor.

- Ans A. 350 W
- B. 87.5 W
- C. 100 W
- D. 175 W

Question ID : 630680418840
Option 1 ID : 6306801634071
Option 2 ID : 6306801634073
Option 3 ID : 6306801634074
Option 4 ID : 6306801634072
Status : Answered
Chosen Option : A

Q.149 If a battery is formed by connecting four cells, each of 1.5 V and 8 Ah rating in parallel, what will be Ah rating of the battery?

- Ans A. 32 Ah
- B. 16 Ah
- C. 6 Ah
- D. 12 Ah

Question ID : 630680418946
Option 1 ID : 6306801634496
Option 2 ID : 6306801634495
Option 3 ID : 6306801634498
Option 4 ID : 6306801634497
Status : Answered
Chosen Option : A

Q.150 The direction of rotation of a universal motor can be reversed by:

- Ans
- A. reversing the supply terminals
 - B. open circuiting the field winding
 - C. reversing both field and armature winding
 - D. reversing the field winding

Question ID : 630680418839

Option 1 ID : 6306801634068

Option 2 ID : 6306801634067

Option 3 ID : 6306801634070

Option 4 ID : 6306801634069

Status : Answered

Chosen Option : D

WWW.ALLEXAMREVIEW.COM