



# UTTAR PRADESH POWER CORPORATION LTD.

Participant ID	
Participant Name	WWW.ALLEXAMREVIEW.COM
Test Center Name	
Test Date	08/11/2023
Test Time	2:30 PM - 5:30 PM
Subject	Technician Electrical

## Section : Computer Knowledge - CCC Level of NIELIT

**Q.1** Identify whether the following statements are true or false.

- i) Internet Relay Chat, or IRC, is a multi-user chat system that allows people to gather on 'channels' or in 'rooms' to talk in groups or privately.
- ii) The application layer in internet architecture includes the protocols SMTP, SNMP and TELNET.
- iii) The Network File System (NFS) translates domain names to IP addresses so that browsers can load internet resources.

- Ans**
- A. i-False, ii-False, iii-False
- B. i-False, ii-True, iii-False
- C. i-True, ii-True, iii-True
- D. i-True, ii-True, iii-False

Question ID : 630680418466

Option 1 ID : 6306801632594

Option 2 ID : 6306801632592

Option 3 ID : 6306801632593

Option 4 ID : 6306801632591

Status : Answered

Chosen Option : D

**Q.2** Which of the following keyboard shortcuts is used to close an MS Word 365 document?

- Ans**
- A. Ctrl + O
- B. Ctrl + D
- C. Ctrl + F
- D. Ctrl + W

Question ID : 630680418487

Option 1 ID : 6306801632675

Option 2 ID : 6306801632678

Option 3 ID : 6306801632677

Option 4 ID : 6306801632676

Status : Answered

Chosen Option : D

**Q.3** Which of the following options are available under 'Change case' in MS Word 365?

- i) Sentence case
- ii) Lower case
- iii) Upper case
- iv) Capitalise each word
- v) Toggle case
- vi) Initcap
- vii) Subscript

- Ans**
- A. i, ii, iii, iv and v only
  - B. iii, iv and v only
  - C. i, ii, iii, iv, v, vi and vii
  - D. i, ii, iii, iv, v and vi only

Question ID : 630680418456  
Option 1 ID : 6306801632552  
Option 2 ID : 6306801632553  
Option 3 ID : 6306801632551  
Option 4 ID : 6306801632554  
Status : Answered  
Chosen Option : A

**Q.4** Which of the following languages is a mark-up language used to develop a simple website?

- Ans**
- A. ASP
  - B. PHP
  - C. PYTHON
  - D. HTML

Question ID : 630680418467  
Option 1 ID : 6306801632598  
Option 2 ID : 6306801632596  
Option 3 ID : 6306801632597  
Option 4 ID : 6306801632595  
Status : Answered  
Chosen Option : D

**Q.5** If an MS Word 365 table contains 19 rows and 7 columns, then how many cells will be available for data entry by excluding the first row for header and the last row for footer?

- Ans**
- A. 133
  - B. 147
  - C. 119
  - D. 126

Question ID : 630680418458  
Option 1 ID : 6306801632561  
Option 2 ID : 6306801632562  
Option 3 ID : 6306801632559  
Option 4 ID : 6306801632560  
Status : Answered  
Chosen Option : A

Q.6 What is the output of the following Python code?

```
Import re
```

```
re.sub(r'[ad]', '*', 'abcdef')
```

- Ans
- A. `*bc*ef`
  - B. `'bc*ef'`
  - C. `*bc ef*`
  - D. `*bc* *ef*`

Question ID : 630680418484

Option 1 ID : 6306801632663

Option 2 ID : 6306801632665

Option 3 ID : 6306801632664

Option 4 ID : 6306801632666

Status : Not Answered

Chosen Option : --

Q.7 With reference to the internet, hypertext documents are represented using a specialised markup language called \_\_\_\_\_.

- Ans
- A. Python
  - B. Java
  - C. Visual Basic
  - D. HTML

Question ID : 630680418471

Option 1 ID : 6306801632613

Option 2 ID : 6306801632611

Option 3 ID : 6306801632612

Option 4 ID : 6306801632614

Status : Answered

Chosen Option : D

Q.8 Match the columns.

Chrome browser keyboard shortcuts	Actions
a) Shift + Alt + t	i) Opens the Find Bar to search the current page
b) Ctrl + Shift + Delete	ii) Sets focus on the first item in the Chrome toolbar
c) Ctrl + Shift + o	iii) Opens the Clear Browsing Data options
d) Ctrl + f	iv) Opens the Bookmarks Manager

- Ans
- ✓ A. a-ii, b-iii, c-iv, d-i
  - ✗ B. a-iii, b-ii, c-iv, d-i
  - ✗ C. a-i, b-iii, c-iv, d-ii
  - ✗ D. a-ii, b-iv, c-iii, d-i

Question ID : 630680418469

Option 1 ID : 6306801632603

Option 2 ID : 6306801632604

Option 3 ID : 6306801632606

Option 4 ID : 6306801632605

Status : Not Attempted and Marked For Review

Chosen Option : --

Q.9 Which of the given options is correct for replacing the ? in the following statements to insert a column, delete a column, and rename a file in MS Excel 365?

- i) Select any cell within the column; then go to Home > ? > Insert Sheet Columns
- ii) Select any cell within the column; then go to Home > ? > Delete Sheet Columns.
- iii) Select any cell within the sheet; then go to Home > ? > Rename Sheet.

- Ans
- ✓ A. i-Insert, ii-Delete, iii-Format
  - ✗ B. i-Delete, ii-Format, iii-Insert
  - ✗ C. i-Insert Sheet, ii-Format, iii-Delete
  - ✗ D. i-Insert, ii-Delete Sheet, iii-Format

Question ID : 630680418460

Option 1 ID : 6306801632567

Option 2 ID : 6306801632568

Option 3 ID : 6306801632569

Option 4 ID : 6306801632570

Status : Answered

Chosen Option : A

Q.10 Match the columns.

Functions	Descriptions
a) HLOOKUP	i) It rounds a number down to the nearest multiple of significance
b) INDEX	ii) It searches across rows until a match is found
c) MATCH	iii) It returns a value or the reference to a value from within a table or range
d) FLOOR	iv) It searches for a specified item in a range of cells and then returns the relative position of that item in the range.

- Ans
- A. a-iii, b-ii, c-iv, d-i
  - B. a-ii, b-i, c-iv, d-iii
  - C. a-ii, b-iii, c-i, d-iv
  - D. a-ii, b-iii, c-iv, d-i

Question ID : 630680418462  
 Option 1 ID : 6306801632576  
 Option 2 ID : 6306801632578  
 Option 3 ID : 6306801632577  
 Option 4 ID : 6306801632575  
 Status : Answered  
 Chosen Option : D

Q.11 Match the columns.

MS PowerPoint 365 keyboard shortcuts	Task
a) Ctrl + S	i) Add a new slide
b) Ctrl + Z	ii) Save the presentation
c) Ctrl + B	iii) Undo the last action
d) Ctrl + M	iv) Make the selected text bold

- Ans
- A. a-ii, b-iii, c-i, d-iv
  - B. a-ii, b-iii, c-iv, d-i
  - C. a-iii, b-ii, c-iv, d-i
  - D. a-ii, b-iv, c-iii, d-i

Question ID : 630680418485  
 Option 1 ID : 6306801632670  
 Option 2 ID : 6306801632667  
 Option 3 ID : 6306801632668  
 Option 4 ID : 6306801632669  
 Status : Answered  
 Chosen Option : B

Q.12 Which of the following is NOT a general security goal?

- Ans
- A. Availability
  - B. Integrity
  - C. Proof
  - D. Confidentiality

Question ID : 630680418477  
Option 1 ID : 6306801632637  
Option 2 ID : 6306801632636  
Option 3 ID : 6306801632638  
Option 4 ID : 6306801632635  
Status : Answered  
Chosen Option : A

Q.13 Which of the following is NOT a cloud computing model?

- Ans
- A. Hybrid Cloud
  - B. Public Cloud
  - C. Society Cloud
  - D. Private Cloud

Question ID : 630680418500  
Option 1 ID : 6306801632729  
Option 2 ID : 6306801632727  
Option 3 ID : 6306801632730  
Option 4 ID : 6306801632728  
Status : Answered  
Chosen Option : C

Q.14 Identify whether the following statements are true or false.

- i) The filter() function in Python returns an iterator where the items are filtered through a function to test if the item is accepted or not.
- ii) In Python, function is a block of an organised, reusable code that is used to perform a single, related action.

- Ans
- A. i-True, ii-False
  - B. i-False, ii-False
  - C. i-False, ii-True
  - D. i-True, ii-True

Question ID : 630680418481  
Option 1 ID : 6306801632653  
Option 2 ID : 6306801632654  
Option 3 ID : 6306801632652  
Option 4 ID : 6306801632651  
Status : Not Answered  
Chosen Option : --

**Q.15** What is the expected result of the following MS Excel formulas?

i) If the value in cell C15 is C101 and the formula entered in cell C16 is:

=REPLACE(C15,1,1,"Z")

ii) If the values in cell A15 and A16 are 3 and 5, respectively, and the formula entered in cell A17 is:

=A15^A16

**Ans**  **A.** i-Z101; ii-243

**B.** i-AZ101; ii-50

**C.** i-C101; ii-243

**D.** i-C101; ii-15

Question ID : 630680418461

Option 1 ID : 6306801632571

Option 2 ID : 6306801632574

Option 3 ID : 6306801632572

Option 4 ID : 6306801632573

Status : Answered

Chosen Option : A

**Q.16** Which of the following are NOT blogging platforms?

i) Wix

ii) Gator

iii) Tumblr

iv) Linux

v) PowerPoint

vi) Windows

vii) WordPress

**Ans**  **A.** i, ii, iii, iv, v, vi and vii

**B.** i, ii, iii and vii only

**C.** i, ii and iii only

**D.** i, ii, iii and v only

Question ID : 630680418488

Option 1 ID : 6306801632679

Option 2 ID : 6306801632680

Option 3 ID : 6306801632681

Option 4 ID : 6306801632682

Status : Answered

Chosen Option : A

**Q.17** Which of the following portals is a central public procurement portal launched by the central government of India?

- Ans**
- A. <https://commerce.gov.in/>
  - B. <https://mod.gov.in/>
  - C. <https://meity.gov.in/>
  - D. <https://eprocure.gov.in/cppp/>

Question ID : **630680418498**  
 Option 1 ID : **6306801632721**  
 Option 2 ID : **6306801632722**  
 Option 3 ID : **6306801632720**  
 Option 4 ID : **6306801632719**  
 Status : **Answered**  
 Chosen Option : **B**

**Q.18** Which of the following is a collection of devices connected together in one physical location, such as a building, office or home?

- Ans**
- A. Global area network (GAN)
  - B. Piconet
  - C. Local area network (LAN)
  - D. Wide area network (WAN)

Question ID : **630680418463**  
 Option 1 ID : **6306801632580**  
 Option 2 ID : **6306801632581**  
 Option 3 ID : **6306801632579**  
 Option 4 ID : **6306801632582**  
 Status : **Answered**  
 Chosen Option : **C**

**Q.19** Match the columns.

MS Word 365 keyboard shortcuts for text alignment	Descriptions
a) Ctrl + L	i) Make bold the selected text
b) Ctrl + M	ii) Align the paragraph, document or table to the left of the screen
c) Ctrl + J	iii) Indent the paragraph
d) Ctrl + B	iv) Justify the paragraph

- Ans**
- A. a-i, b-ii, c-iv, d-iii
  - B. a-ii, b-iii, c-iv, d-i
  - C. a-ii, b-i, c-iii, d-iv
  - D. a-iii, b-i, c-iv, d-ii

Question ID : **630680418457**  
 Option 1 ID : **6306801632556**  
 Option 2 ID : **6306801632555**  
 Option 3 ID : **6306801632557**  
 Option 4 ID : **6306801632558**  
 Status : **Answered**  
 Chosen Option : **B**



**Q.20** Which of the following is the highest computer memory measurement unit?

- Ans
- A. Kilo Byte
  - B. Giga Byte
  - C. Zetta Byte
  - D. Exa Byte

Question ID : **630680418451**  
Option 1 ID : **6306801632533**  
Option 2 ID : **6306801632534**  
Option 3 ID : **6306801632531**  
Option 4 ID : **6306801632532**  
Status : **Answered**  
Chosen Option : **C**

**Q.21** Identify the option that arranges the following steps in the correct sequence to create a new MS PowerPoint 2016 presentation using templates?

- i) Click the File tab to access Backstage view; then select New.
- ii) Use the search bar to find a more specific template.
- iii) Select a template to review it.
- iv) A newly created presentation will appear with the chosen template.
- v) Click Create to use the selected template.

- Ans
- A. ii, i, iii, v, iv
  - B. ii, iii, i, v, iv
  - C. i, ii, iii, v, iv
  - D. i, iii, v, ii, iv

Question ID : **630680418473**  
Option 1 ID : **6306801632621**  
Option 2 ID : **6306801632622**  
Option 3 ID : **6306801632619**  
Option 4 ID : **6306801632620**  
Status : **Answered**  
Chosen Option : **C**

**Q.22** Identify whether the following statements are true or false.

- i) An internet is a collaboration of more than hundreds of thousands of interconnected networks.
- ii) The IP handles datagram routing while the TCP is responsible for higher-level functions such as segmentation, reassembly and error detection in the TCP/IP model.
- iii) IPV4 uses 32 bits for the address.

- Ans
- A. i-False, ii-True, iii-True
  - B. i-False, ii-False, iii-True
  - C. i-True, ii-True, iii-True
  - D. i-True, ii-True, iii-False

Question ID : **630680418465**  
Option 1 ID : **6306801632588**  
Option 2 ID : **6306801632590**  
Option 3 ID : **6306801632587**  
Option 4 ID : **6306801632589**  
Status : **Answered**  
Chosen Option : **C**

**Q.23** A QR code is a barcode that stores data. What does the letter 'R' in QR stand for?

- Ans**
- A. Repeat
  - B. Report
  - C. Response
  - D. Replay

Question ID : **630680418493**

Option 1 ID : **6306801632701**

Option 2 ID : **6306801632699**

Option 3 ID : **6306801632702**

Option 4 ID : **6306801632700**

Status : **Answered**

Chosen Option : **C**

**Q.24** Match the columns.

JavaScript Message Boxes	Descriptions
a) alert (message)	i) Displays a pop-up box to take the user's input with the OK and Cancel buttons
b) confirm (message)	ii) Displays a pop-up box with the specified message with the OK button
c) prompt (message, default value)	iii) Displays a pop-up box with the specified message with OK and Cancel buttons

- Ans**
- A. a-i, b-ii, c-iii
  - B. a-iii, b-ii, c-i
  - C. a-i, b-iii, c-ii
  - D. a-ii, b-iii, c-i

Question ID : **630680418478**

Option 1 ID : **6306801632640**

Option 2 ID : **6306801632642**

Option 3 ID : **6306801632641**

Option 4 ID : **6306801632639**

Status : **Answered**

Chosen Option : **B**

Q.25 Which of the following are web browser software?

- i) Google Chrome
- ii) Microsoft Edge
- iii) Firefox
- iv) Internet Explorer
- v) Vivaldi
- vi) Brave
- vii) Falkon

- Ans
- A. iii, iv and v only
  - B. i, ii, iv, v and vi only
  - C. i, ii, iii, iv, v and vi only
  - D. i, ii, iii, iv, v, vi and vii

Question ID : 630680418468  
Option 1 ID : 6306801632601  
Option 2 ID : 6306801632602  
Option 3 ID : 6306801632600  
Option 4 ID : 6306801632599  
Status : Answered  
Chosen Option : D

Q.26 Which of the following are the advantages of using the NEFT system?

- i) The transaction has legal backing.
- ii) Round the clock availability on all days of the year
- iii) Near-real-time funds transfer to the beneficiary account and settlement in a secure manner.
- iv) Positive confirmation to the remitter by SMS/email on credit to the beneficiary account
- v) The NEFT system is available for transactions in India only.

- Ans
- A. i, ii, iii and iv only
  - B. ii, iii and v only
  - C. i and ii only
  - D. i, ii and iii only

Question ID : 630680418496  
Option 1 ID : 6306801632711  
Option 2 ID : 6306801632713  
Option 3 ID : 6306801632714  
Option 4 ID : 6306801632712  
Status : Answered  
Chosen Option : A

**Q.27** Which of the following are the rules and guidelines for proper email netiquette?

- i) Include a subject line that is meaningful and accurately reflects the content and purpose of the email.
- ii) Write a salutation with the person's first name or last name with title, according to how well you know that person.
- iii) Identify yourself with your name and or additional information that may be relevant.
- iv) Use a proper opening and closing line.

- Ans**
- A. i and iii
  - B. i, ii and iii
  - C. i, ii, iii and iv
  - D. i, ii and iv

Question ID : 630680418491

Option 1 ID : 6306801632694

Option 2 ID : 6306801632692

Option 3 ID : 6306801632691

Option 4 ID : 6306801632693

Status : **Not Attempted and  
Marked For Review**

Chosen Option : --

**Q.28** \_\_\_\_\_ is a short form of one stop Government e-Market Place hosted by DGS&D where common user goods and services can be procured.

- Ans**
- A. GovMarket
  - B. GeM
  - C. GeMP
  - D. GoMark

Question ID : 630680418499

Option 1 ID : 6306801632723

Option 2 ID : 6306801632724

Option 3 ID : 6306801632726

Option 4 ID : 6306801632725

Status : **Not Answered**

Chosen Option : --

Q.29 What is the expected output of the following Python code?

```
def add(n):  
    return n - n * 2  
numbers = (1, 2, 3, 4)  
res = map(add, numbers)  
print(list(res))
```

- Ans
- A. [1, 2, 3, 4]
  - B. [-1, 3, 5, 15]
  - C. [0, 3, 5, 15]
  - D. [-1, -2, -3, -4]

Question ID : 630680418480

Option 1 ID : 6306801632648

Option 2 ID : 6306801632650

Option 3 ID : 6306801632649

Option 4 ID : 6306801632647

Status : Not Answered

Chosen Option : --

Q.30 What does the letter 'T' stand for in NTFS?

- Ans
- A. Technical
  - B. Table
  - C. Task
  - D. Technology

Question ID : 630680418454

Option 1 ID : 6306801632546

Option 2 ID : 6306801632545

Option 3 ID : 6306801632544

Option 4 ID : 6306801632543

Status : Answered

Chosen Option : D

**Q.31** Which of the following are the benefits of UPI to the participating customers?

- i) Round the clock availability
- ii) A single application for accessing different bank accounts
- iii) Use of a virtual ID is more secure; no credential sharing
- iv) Single-click authentication
- v) Raise complaints from the mobile app directly
- vi) Leverage existing infrastructure

- Ans**
- A. i, ii, iv and v only
  - B. i, iii, iv, v and vi only
  - C. i, ii, iii, iv and v only
  - D. i, ii, iii and v only

Question ID : 630680418494

Option 1 ID : 6306801632704

Option 2 ID : 6306801632705

Option 3 ID : 6306801632703

Option 4 ID : 6306801632706

Status : Answered

Chosen Option : C

**Q.32** \_\_\_\_\_ and \_\_\_\_\_ are graphical user interface-based operating systems.

- Ans**
- A. Android; DOS
  - B. Windows NT; Android
  - C. Windows Me; DOS
  - D. Unix; DOS

Question ID : 630680418453

Option 1 ID : 6306801632541

Option 2 ID : 6306801632539

Option 3 ID : 6306801632540

Option 4 ID : 6306801632542

Status : Answered

Chosen Option : B

Q.33 Match the columns.

Computer units	Activity
a) Input unit	i) Interprets instructions
b) Output unit	ii) Reads the data to be processed
c) Memory unit	iii) Prints or displays computed results
d) Processing unit	iv) Stores algorithm and computed values

- Ans
- A. a-i, b-iii, c-iv, d-ii
  - B. a-ii, b-iii, c-iv, d-i
  - C. a-ii, b-i, c-iv, d-iii
  - D. a-iv, b-iii, c-ii, d-i

Question ID : 630680418452

Option 1 ID : 6306801632536

Option 2 ID : 6306801632535

Option 3 ID : 6306801632537

Option 4 ID : 6306801632538

Status : Answered

Chosen Option : A

Q.34 Which of the following modes of open() function in Python are valid?

- i) r: open an existing file for a read operation
- ii) r+: To read and write data into the file
- iii) a+: To append and read data from the file
- iv) w: Open an existing file for a write operation
- v) u: To update existing data file

- Ans
- A. i, ii and iv only
  - B. i, ii, iii, iv and v
  - C. i, ii, iii and v only
  - D. i, ii, iii and iv only

Question ID : 630680418482

Option 1 ID : 6306801632657

Option 2 ID : 6306801632658

Option 3 ID : 6306801632656

Option 4 ID : 6306801632655

Status : Not Answered

Chosen Option : --

**Q.35** Identify whether the given statements are true or false.

- i) The Inbox is an electronic folder in which emails received by an individual are held.
- ii) The Outbox is a temporary folder that holds your outgoing emails if there are any issues sending the messages until they can be sent.
- iii) Email sandboxing is a security feature that helps to identify and block these new threats.
- iv) The Sent folder stores all the mails that are successfully delivered and received by the recipient.

- Ans**
- A.** i-True, ii-True, iii-True, iv-True
  - B.** i-False, ii-False, iii-True, iv-False
  - C.** i-False, ii-True, iii-True, iv-False
  - D.** i-True, ii-False, iii-True, iv-False

Question ID : **630680418490**  
Option 1 ID : **6306801632687**  
Option 2 ID : **6306801632690**  
Option 3 ID : **6306801632688**  
Option 4 ID : **6306801632689**  
Status : **Answered**  
Chosen Option : **A**

**Q.36** Identify whether the given statements are true or false.

- i) A digital wallet refers to a software, electronic device or online service that allows individuals or businesses to make electronic transactions.
- ii) A digital wallet stores all the payment information of users in a secure and compact form, reducing the need for physical wallets.
- iii) A digital wallet requires users to download the digital wallet app on their smartphones or other physical devices.
- iv) A digital wallet uses non-secure communication services.

- Ans**
- A.** i-True, ii-False, iii-True, iv-False
  - B.** i-True, ii-True, iii-True, iv-False
  - C.** i-False, ii-False, iii-True, iv-False
  - D.** i-False, ii-True, iii-True, iv-False

Question ID : **630680418495**  
Option 1 ID : **6306801632709**  
Option 2 ID : **6306801632707**  
Option 3 ID : **6306801632710**  
Option 4 ID : **6306801632708**  
Status : **Answered**  
Chosen Option : **B**



**Q.37** Which of the following are required by publishers to publish content on the internet?

- i) Website development software.
- ii) Internet connection.
- iii) A web server to host the website.
- iv) A windows operating system.

**Ans**  A. ii and iii only

B. i and iii only

C. i, ii and iii only

D. i and iv only

Question ID : 630680418475

Option 1 ID : 6306801632628

Option 2 ID : 6306801632629

Option 3 ID : 6306801632627

Option 4 ID : 6306801632630

Status : Answered

Chosen Option : C

**Q.38** Which of the following are smartphone security threats?

- i) Phishing
- ii) Jailbreaking and rooting
- iii) Spyware
- iv) Antivirus

**Ans**  A. i, ii and iii only

B. i and iii only

C. i, ii and iv only

D. ii and iii only

Question ID : 630680418489

Option 1 ID : 6306801632683

Option 2 ID : 6306801632686

Option 3 ID : 6306801632684

Option 4 ID : 6306801632685

Status : Answered

Chosen Option : A

**Q.39** Match the columns.

Components of IoT	Descriptions
a) Things or Device	i) End user application where the user can monitor or control the data
b) Gateway	ii) These are fitted with sensors and actuators.
c) Analytics	iii) This device also acts as a level of security for the network and for the transmitted data.
d) User Interface	iv) It has a set of algorithms for data processing.

- Ans**
- A. a-ii, b-iii, c-iv, d-i
  - B. a-i, b-iii, c-iv, d-ii
  - C. a-ii, b-iv, c-iii, d-i
  - D. a-iii, b-ii, c-iv, d-i

Question ID : 630680418497

Option 1 ID : 6306801632715

Option 2 ID : 6306801632718

Option 3 ID : 6306801632717

Option 4 ID : 6306801632716

Status : Answered

Chosen Option : A

**Q.40** Identify whether the given statements related to MS Excel are true or false.

- i) The Sheet1!B1 cell reference refers to cell B1 on Sheet11 in the same workbook.
- ii) SK1 and TS1 are the examples of a mixed cell reference where relative and absolute references are combined.
- iii) The [Book22.xlsx]Sheet22!A2 cell reference refers to cell A2 on Sheet22 in the workbook Book22.xlsx.
- iv) A relative cell reference is the one with the \$ sign in the row and column coordinates (e.g., SWS3).

- Ans**
- A. i-True, ii-False, iii-True, iv-False
  - B. i-False, ii-False, iii-True, iv-False
  - C. i-False, ii-True, iii-True, iv-False
  - D. i-True, ii-True, iii-True, iv-False

Question ID : 630680418459

Option 1 ID : 6306801632565

Option 2 ID : 6306801632566

Option 3 ID : 6306801632564

Option 4 ID : 6306801632563

Status : Answered

Chosen Option : D

Q.41 How many protocol layers are there in an ISO-OSI reference model?

- Ans
- A. 12
  - B. 5
  - C. 9
  - D. 7

Question ID : 630680418464  
Option 1 ID : 6306801632583  
Option 2 ID : 6306801632586  
Option 3 ID : 6306801632584  
Option 4 ID : 6306801632585  
Status : Answered  
Chosen Option : D

Q.42 Identify whether the given statements are true or false.

- i) In Python, tuples are used to store multiple items in a single variable.
- ii) Sequence data types are used to store data in containers in the Python computer language.
- iii) In Python, a tuple is a collection that is ordered and unchangeable.

- Ans
- A. i-False, ii-True, iii-False
  - B. i-True, ii-True, iii-True
  - C. i-True, ii-False, iii-True
  - D. i-False, ii-True, iii-True

Question ID : 630680418479  
Option 1 ID : 6306801632646  
Option 2 ID : 6306801632643  
Option 3 ID : 6306801632645  
Option 4 ID : 6306801632644  
Status : Not Answered  
Chosen Option : --

Q.43 Which of the following programming languages is used for client-side scripting in web programming?

- Ans
- A. JavaScript
  - B. JSP
  - C. ASP.NET
  - D. Python

Question ID : 630680418474  
Option 1 ID : 6306801632625  
Option 2 ID : 6306801632624  
Option 3 ID : 6306801632623  
Option 4 ID : 6306801632626  
Status : Not Answered  
Chosen Option : --

**Q.44** Identify whether the given statements are true or false.

- i) 'UMANG' is an initiative under the Digital India program to develop a common, unified platform and mobile app to facilitate a single point of access to all government services.
- ii) 'UMANG' was conceptualised to bring governance on the fingertips of individuals through the 'mobile first' strategy.
- iii) The 'UMANG' multi-lingual app was developed and is being operated by National e-Governance Division (NeGD).

- Ans**
- A. i-True, ii-True, iii-True
  - B. i-True, ii-False, iii-True
  - C. i-False, ii-True, iii-True
  - D. i-False, ii-False, iii-True

Question ID : **630680418492**  
Option 1 ID : **6306801632695**  
Option 2 ID : **6306801632697**  
Option 3 ID : **6306801632696**  
Option 4 ID : **6306801632698**  
Status : **Not Answered**  
Chosen Option : --

**Q.45** Python's \_\_\_\_\_ special variable stores the name of the currently running Python script or module.

- Ans**
- A. name\_\_
  - B. \_\_module\_\_
  - C. \_\_name\_\_
  - D. \_name

Question ID : **630680418483**  
Option 1 ID : **6306801632662**  
Option 2 ID : **6306801632660**  
Option 3 ID : **6306801632659**  
Option 4 ID : **6306801632661**  
Status : **Not Answered**  
Chosen Option : --

**Q.46** Identify whether the given statements are true or false.

- i) The bootstrap CSS framework is used to create a responsive design.
- ii) The CSS class selectors are used to specify a group of elements.
- iii) The 'Internal' CSS can be added by using the <style> element in the <head> section.

- Ans**
- A. i-True, ii-True, iii-True
  - B. i-False, ii-True, iii-True
  - C. i-False, ii-True, iii-False
  - D. i-True, ii-False, iii-True

Question ID : **630680418476**  
Option 1 ID : **6306801632631**  
Option 2 ID : **6306801632632**  
Option 3 ID : **6306801632634**  
Option 4 ID : **6306801632633**  
Status : **Not Answered**  
Chosen Option : --

**Q.47** Which of the following is the extension for MS PowerPoint files?

- Ans**
- A. .ppt
  - B. .mdb
  - C. .pst
  - D. .dbf

Question ID : 630680418472  
Option 1 ID : 6306801632615  
Option 2 ID : 6306801632617  
Option 3 ID : 6306801632616  
Option 4 ID : 6306801632618  
Status : Answered  
Chosen Option : A

**Q.48** At which corner of the Chrome window are three vertical dots present to select setting options in Windows 10?

- Ans**
- A. Left top
  - B. Right top
  - C. Centre of the title bar
  - D. Right bottom

Question ID : 630680418470  
Option 1 ID : 6306801632608  
Option 2 ID : 6306801632607  
Option 3 ID : 6306801632610  
Option 4 ID : 6306801632609  
Status : Answered  
Chosen Option : B

**Q.49** Select the option that arranges the following steps in the correct sequence to add slide transitions to MS PowerPoint 365 presentations.

- i) Select the slide you want to add a transition to.
- ii) Select the Transitions tab and choose a transition. Select a transition to see a preview.
- iii) Select Preview to see what the transition looks like.
- iv) Select Effect Options to choose the direction and nature of the transition.
- v) Select Apply To All to add the transition to the entire presentation.

- Ans**
- A. ii, i, iii, iv, v
  - B. i, iv, ii, iii, v
  - C. i, ii, iv, iii, v
  - D. iii, ii, iv, i, v

Question ID : 630680418486  
Option 1 ID : 6306801632673  
Option 2 ID : 6306801632672  
Option 3 ID : 6306801632671  
Option 4 ID : 6306801632674  
Status : Answered  
Chosen Option : C

**Q.50** Which of the following keyboard shortcuts is used to set focus in the notification area of a Windows 10 desktop?

- Ans
- A. Windows logo key + Shift + C
  - B. Windows logo key + A
  - C. Windows logo key + C
  - D. Windows logo key + B

Question ID : 630680418455  
Option 1 ID : 6306801632550  
Option 2 ID : 6306801632548  
Option 3 ID : 6306801632549  
Option 4 ID : 6306801632547  
Status : Not Answered  
Chosen Option : --

Section : General Study & Logical Reasoning

**Q.1** India's first ethanol plant has been set up in \_\_\_\_\_.

- Ans
- A. West Bengal
  - B. Odisha
  - C. Jharkhand
  - D. Bihar

Question ID : 630680418507  
Option 1 ID : 6306801632757  
Option 2 ID : 6306801632758  
Option 3 ID : 6306801632756  
Option 4 ID : 6306801632755  
Status : Not Answered  
Chosen Option : --

**Q.2** As of December 2022, how many public sector banks are there in India?

- Ans
- A. 11
  - B. 12
  - C. 13
  - D. 10

Question ID : 630680418505  
Option 1 ID : 6306801632749  
Option 2 ID : 6306801632748  
Option 3 ID : 6306801632750  
Option 4 ID : 6306801632747  
Status : Not Answered  
Chosen Option : --

Q.3 What is the approximate value of the following expression?

$$84.06 \div 11.92 - 14.11 + 5.98 \times 8.13 = ?$$

- Ans
- A. 41
  - B. 42
  - C. 43
  - D. 40

Question ID : 630680418520  
Option 1 ID : 6306801632809  
Option 2 ID : 6306801632807  
Option 3 ID : 6306801632808  
Option 4 ID : 6306801632810  
Status : Answered  
Chosen Option : A

Q.4 In a certain code language, 'ALMIRAH' is written as 'AAHILMR'. How will 'HEXAGON' be written in that language?

- Ans
- A. AEGHNOX
  - B. AGHEONX
  - C. NOGAXEH
  - D. EHNOGAX

Question ID : 630680418512  
Option 1 ID : 6306801632776  
Option 2 ID : 6306801632775  
Option 3 ID : 6306801632778  
Option 4 ID : 6306801632777  
Status : Answered  
Chosen Option : C

Q.5 Select the number from among the given options that can replace the question mark (?) in the following series.

8, 14, 11, 17, 14, ?

- Ans
- A. 22
  - B. 18
  - C. 20
  - D. 17

Question ID : 630680418518  
Option 1 ID : 6306801632800  
Option 2 ID : 6306801632799  
Option 3 ID : 6306801632802  
Option 4 ID : 6306801632801  
Status : Answered  
Chosen Option : C

**Q.6** Select the number from among the given options that can replace the question mark (?) in the following series.

7, 26, 63, 124, ?

- Ans**
- A. 219
  - B. 215
  - C. 218
  - D. 217

Question ID : 630680418519  
Option 1 ID : 6306801632804  
Option 2 ID : 6306801632803  
Option 3 ID : 6306801632806  
Option 4 ID : 6306801632805  
Status : Answered  
Chosen Option : B

**Q.7** \_\_\_\_\_, who won two medals at the Tokyo 2020 Paralympics, was recognised as the Para Sports Person of the Year.

- Ans**
- A. Yogesh Kathuniya
  - B. Suhas Lalinakere Yathiraj
  - C. Avani Lekhara
  - D. Murlikant Petkar

Question ID : 630680418508  
Option 1 ID : 6306801632759  
Option 2 ID : 6306801632761  
Option 3 ID : 6306801632762  
Option 4 ID : 6306801632760  
Status : Not Answered  
Chosen Option : --

**Q.8** Who is the author of 'The Living Mountain'?

- Ans**
- A. Dharmendra Pradhan
  - B. Amitav Ghosh
  - C. Ashwini Shrivastava
  - D. Harish Mehta

Question ID : 630680418503  
Option 1 ID : 6306801632739  
Option 2 ID : 6306801632741  
Option 3 ID : 6306801632740  
Option 4 ID : 6306801632742  
Status : Not Answered  
Chosen Option : --



**Q.9** Select the option that is related to the third word in the same way as the second word is related to the first word.

Mind : Psychology :: Humanity : ?

- Ans**
- A. Philosophy
  - B. Education
  - C. Sociology
  - D. Anthropology

Question ID : 630680418516  
Option 1 ID : 6306801632793  
Option 2 ID : 6306801632792  
Option 3 ID : 6306801632791  
Option 4 ID : 6306801632794  
Status : Answered  
Chosen Option : C

**Q.10** While introducing Kritika, Raman said, "Her father is the only son of my grandfather". How is Kritika related to Raman?

- Ans**
- A. Aunt
  - B. Cousin
  - C. Sister
  - D. Niece

Question ID : 630680418514  
Option 1 ID : 6306801632786  
Option 2 ID : 6306801632784  
Option 3 ID : 6306801632783  
Option 4 ID : 6306801632785  
Status : Answered  
Chosen Option : C

**Q.11** The concept of a Five-Year Plan was borrowed into the Indian Constitution from the Constitution of \_\_\_\_\_.

- Ans**
- A. USSR
  - B. Germany
  - C. China
  - D. United Kingdom

Question ID : 630680418509  
Option 1 ID : 6306801632763  
Option 2 ID : 6306801632765  
Option 3 ID : 6306801632766  
Option 4 ID : 6306801632764  
Status : Not Answered  
Chosen Option : --

**Q.12** In a certain code language, 'COMPUTER' is coded as '113', and 'LAPTOP' is coded as '82'. How will 'DESKTOP' be coded in that language?

- Ans**
- A. 90
  - B. 91
  - C. 88
  - D. 92

Question ID : 630680418513  
Option 1 ID : 6306801632781  
Option 2 ID : 6306801632779  
Option 3 ID : 6306801632780  
Option 4 ID : 6306801632782  
Status : Answered  
Chosen Option : D

**Q.13** Select the letter from among the given options that can replace the question mark (?) in the following series.

W, R, N, I, ?, Z

- Ans**
- A. D
  - B. F
  - C. E
  - D. C

Question ID : 630680418511  
Option 1 ID : 6306801632772  
Option 2 ID : 6306801632771  
Option 3 ID : 6306801632773  
Option 4 ID : 6306801632774  
Status : Answered  
Chosen Option : C

**Q.14** \_\_\_\_\_ is commonly called as the poor man's timber because it is used in all aspects of life.

- Ans**
- A. Bamboo
  - B. Neem
  - C. Pine
  - D. Deodar

Question ID : 630680418506  
Option 1 ID : 6306801632752  
Option 2 ID : 6306801632751  
Option 3 ID : 6306801632753  
Option 4 ID : 6306801632754  
Status : Not Answered  
Chosen Option : --

**Q.15** Four letter-clusters have been given, out of which three are alike in some manner and one is different. Select the one that is different.

- Ans**
- A. CGJN
  - B. ORVY
  - C. EILP
  - D. LPSW

Question ID : 630680418517  
Option 1 ID : 6306801632798  
Option 2 ID : 6306801632796  
Option 3 ID : 6306801632795  
Option 4 ID : 6306801632797  
Status : Answered  
Chosen Option : B

**Q.16** Who among the following attended all three round table conferences?

- Ans**
- A. VS Srinivasa Sastri and BR Ambedkar
  - B. Tej Bahadur Sapru and BR Ambedkar
  - C. KT Paul and BR Ambedkar
  - D. MK Gandhi and BR Ambedkar

Question ID : 630680418502  
Option 1 ID : 6306801632738  
Option 2 ID : 6306801632735  
Option 3 ID : 6306801632736  
Option 4 ID : 6306801632737  
Status : Not Answered  
Chosen Option : --

**Q.17** The Chairperson and members of the National Human Rights Commission (NHRC) are appointed by the \_\_\_\_\_.

- Ans**
- A. President of India
  - B. Prime Minister of India
  - C. UNO General Secretary
  - D. Global Alliance of National Human Rights Institutions

Question ID : 630680418510  
Option 1 ID : 6306801632770  
Option 2 ID : 6306801632767  
Option 3 ID : 6306801632768  
Option 4 ID : 6306801632769  
Status : Not Answered  
Chosen Option : --

**Q.18** उस विकल्प का चयन कीजिए जिसमें शब्द वही संबंध साझा करते हैं जो दिए गए शब्दों के युग्म द्वारा साझा किया गया है।

हाथी : झुंड

Ans

- ✓ A. कौआ : मर्डर  
 ✗ B. हिरण : कालोनी  
 ✗ C. शेर : दल  
 ✗ D. चूहे : समुदाय

Question ID : 630680418515

Option 1 ID : 6306801632787

Option 2 ID : 6306801632789

Option 3 ID : 6306801632788

Option 4 ID : 6306801632790

Status : Answered

Chosen Option : A

**Q.19** Which of the following dances does NOT belong to Rajasthan?

Ans

- ✗ A. Bhavai  
 ✗ B. Gair  
 ✓ C. Matki  
 ✗ D. Terah Taali

Question ID : 630680418504

Option 1 ID : 6306801632743

Option 2 ID : 6306801632744

Option 3 ID : 6306801632745

Option 4 ID : 6306801632746

Status : Not Answered

Chosen Option : --

**Q.20** Emperor Khizr Khan belonged to which dynasty of the Delhi Sultanate?

Ans

- ✓ A. Sayyid Dynasty  
 ✗ B. Lodi Dynasty  
 ✗ C. Khalji Dynasty  
 ✗ D. Mamluk Dynasty

Question ID : 630680418501

Option 1 ID : 6306801632733

Option 2 ID : 6306801632732

Option 3 ID : 6306801632734

Option 4 ID : 6306801632731

Status : Not Answered

Chosen Option : --

Section : General Hindi

Q.1 निम्न में से वि शुद्ध वाक्य की पहचान करें।

- Ans  A. 'गोदान' उपन्यास प्रेमचंद ने लिखा।  
 B. क्या आपने भोजन किया है ?  
 C. यह असली गाय का दूध है।  
 D. अध्यापक जी पढ़ा रहा है।

Question ID : 630680418522

Option 1 ID : 6306801632816

Option 2 ID : 6306801632817

Option 3 ID : 6306801632815

Option 4 ID : 6306801632818

Status : Answered

Chosen Option : A

Q.2 'लता कविता सुना रही है' इस वाक्य में वर्तमान काल का कौन सा भेद है?

- Ans  A. संदिग्ध वर्तमान  
 B. तात्कालिक वर्तमान  
 C. संभाव्य वर्तमान  
 D. पूर्ण वर्तमान

Question ID : 630680418523

Option 1 ID : 6306801632820

Option 2 ID : 6306801632821

Option 3 ID : 6306801632819

Option 4 ID : 6306801632822

Status : Answered

Chosen Option : B

Q.3 निम्न में से शुद्ध वाक्य की पहचान करें।

- Ans  A. मैं स्कूल जाना है।  
 B. यह ने मुझे मारा।  
 C. इन्होंने कहा था।  
 D. दशरथ वचन निभाया।

Question ID : 630680418521

Option 1 ID : 6306801632811

Option 2 ID : 6306801632812

Option 3 ID : 6306801632814

Option 4 ID : 6306801632813

Status : Answered

Chosen Option : C

Q.4 'सदन' शब्द निम्न में से किसका पर्यायवाची है?

- Ans  A. गंगा  
 B. आकाश  
 C. कमल  
 D. घर

Question ID : 630680418528

Option 1 ID : 6306801632841

Option 2 ID : 6306801632839

Option 3 ID : 6306801632840

Option 4 ID : 6306801632842

Status : Answered

Chosen Option : D

Q.5 'जी खट्टा होना' मुहावरे का अर्थ निम्न में से क्या होगा?

- Ans  A. खराब भोजन करना  
 B. दुखी होना  
 C. तबियत खराब होना  
 D. मन विरक्त हो जाना

Question ID : 630680418526  
 Option 1 ID : 6306801632833  
 Option 2 ID : 6306801632834  
 Option 3 ID : 6306801632831  
 Option 4 ID : 6306801632832  
 Status : Answered  
 Chosen Option : D

Q.6 'कक्षा में चालीस विद्यार्थी उपस्थित हैं' रेखांकित वाक्य में विशेषण का कौन सा प्रकार है?

- Ans  A. सार्वनामिक विशेषण  
 B. गुणवाचक विशेषण  
 C. परिमाणवाचक विशेषण  
 D. संख्यावाचक विशेषण

Question ID : 630680418525  
 Option 1 ID : 6306801632830  
 Option 2 ID : 6306801632827  
 Option 3 ID : 6306801632829  
 Option 4 ID : 6306801632828  
 Status : Answered  
 Chosen Option : D

Q.7 'उत्कर्ष' शब्द का विलोम शब्द निम्न में से क्या होगा? निम्न में से 'उत्कर्ष' के विलोम शब्द का चयन कीजिए -

- Ans  A. बोलबाला  
 B. विकास  
 C. अपकर्ष  
 D. अनोकर्ष

Question ID : 630680418529  
 Option 1 ID : 6306801632845  
 Option 2 ID : 6306801632843  
 Option 3 ID : 6306801632844  
 Option 4 ID : 6306801632846  
 Status : Answered  
 Chosen Option : C

Q.8 निम्न में से किस मुहावरे का अर्थ 'बेफिक्र होना' होता है?

- Ans  A. डूब मरना  
 B. गोद लेना  
 C. खून के आंसू रोना  
 D. घोड़े बेचकर सोना

Question ID : 630680418527  
 Option 1 ID : 6306801632838  
 Option 2 ID : 6306801632835  
 Option 3 ID : 6306801632836  
 Option 4 ID : 6306801632837  
 Status : Answered  
 Chosen Option : D

Q.9 'क्षणिक' शब्द का विलोम शब्द निम्न में से क्या होगा?

- Ans  A. शाश्वत  
 B. भंगुर  
 C. वणिक  
 D. अस्थायी

Question ID : 630680418530  
Option 1 ID : 6306801632849  
Option 2 ID : 6306801632848  
Option 3 ID : 6306801632847  
Option 4 ID : 6306801632850  
Status : Answered  
Chosen Option : A

Q.10 'चिड़िया पेड़ पर बैठी है' रेखांकित वाक्य में कारक का कौन सा भेद है?

- Ans  A. अधिकरण कारक  
 B. अपादान कारक  
 C. संप्रदान कारक  
 D. कर्म कारक

Question ID : 630680418524  
Option 1 ID : 6306801632825  
Option 2 ID : 6306801632826  
Option 3 ID : 6306801632824  
Option 4 ID : 6306801632823  
Status : Answered  
Chosen Option : A

#### Comprehension:

निम्नलिखित गद्यांश को ध्यानपूर्वक पढ़ें और प्रश्न का उत्तर दीजिए।  
पशु और बालक भी जिनके साथ अधिक रहते हैं, उनसे परच जाते हैं। यह परचना परिचय ही है। परिचय प्रेम का प्रवर्तक है। बिना परिचय के प्रेम नहीं हो सकता। यदि देश- प्रेम के लिए हृदय में जगह करनी है तो देश के स्वरूप से परिचित और अभ्यस्त हो जाइए। बाहर निकलकर देखिए कि खेत कैसे लहलहा रहे हैं, नाले झाड़ियों के बीच कैसे बह रहे हैं। टेसू के फूलों से वनस्थली कैसी लाल हो रही है, कछारों में चौपायों के झुंड इधर-उधर चरते हैं, चरवाहे तान लड़ा रहे हैं, अमराइयों के बीच गाँव झाँक रहे हैं; उनमें घुसिए, देखिए तो क्या हो रहा है। जो मिले उनसे दो-दो बातें कीजिए, उनके साथ किसी पेड़ की छाया के नीचे घड़ी-आध घड़ी बैठ जाइए और समझिए कि ये सब हमारे देश के हैं। इस प्रकार जब देश का रूप आपकी आँखों में समा जाएगा, आप उसके अंग-प्रत्यंग से परिचित हो जाएँगे, तब आपके अंतःकरण में इस इच्छा का सचमुच उदय होगा कि वह कभी न छूटे, वह सदा हरा-भरा और फला-फूला रहे, उसके धन-धान्य की वृद्धि हो, उसके सब प्राणी सुखी रहें।

#### SubQuestion No : 11

Q.11 'परिचय' का विलोम क्या होगा?

- Ans  A. प्रवर्तक  
 B. जानकार  
 C. परिचित  
 D. अपरिचय

Question ID : 630680418533  
Option 1 ID : 6306801632858  
Option 2 ID : 6306801632856  
Option 3 ID : 6306801632855  
Option 4 ID : 6306801632857  
Status : Answered  
Chosen Option : D

**Comprehension:**

निम्नलिखित गद्यांश को ध्यानपूर्वक पढ़ें और प्रश्न का उत्तर दीजिए।  
पशु और बालक भी जिनके साथ अधिक रहते हैं, उनसे परच जाते हैं। यह परचना परिचय ही है। परिचय प्रेम का प्रवर्तक है। बिना परिचय के प्रेम नहीं हो सकता। यदि देश- प्रेम के लिए हृदय में जगह करनी है तो देश के स्वरूप से परिचित और अभ्यस्त हो जाइए। बाहर निकलने तो आँख खोलकर देखिए कि खेत कैसे लहलहा रहे हैं, नाले झाड़ियों के बीच कैसे बह रहे हैं। टेसू के फूलों से वनस्थली कैसी लाल हो रही है, कछारों में चौपायों के झुंड इधर-उधर चरते हैं, चरवाहे तान लड़ा रहे हैं, अमराइयों के बीच गाँव झाँक रहे हैं; उनमें घुसिए, देखिए तो क्या हो रहा है। जो मिले उनसे दो-दो बातें कीजिए, उनके साथ किसी पेड़ की छाया के नीचे घड़ी-आध घड़ी बैठ जाइए और समझिए कि ये सब हमारे देश के हैं। इस प्रकार जब देश का रूप आपकी आँखों में समा जाएगा, आप उसके अंग-प्रत्यंग से परिचित हो जाएँगे, तब आपके अंतःकरण में इस इच्छा का सचमुच उदय होगा कि वह कभी न छूटे, वह सदा हरा-भरा और फला-फूला रहे, उसके धन-धान्य की वृद्धि हो, उसके सब प्राणी सुखी रहें।

**SubQuestion No : 12****Q.12 उपर्युक्त गद्यांश का उचित शीर्षक क्या होगा?**

- Ans  A. आस पास के लोगों से बात करना  
 B. हृदय में देश प्रेम  
 C. प्रेम के प्रतीक  
 D. टेसू के फूलों से वनस्थली लाल होना

Question ID : 630680418532

Option 1 ID : 6306801632853

Option 2 ID : 6306801632851

Option 3 ID : 6306801632852

Option 4 ID : 6306801632854

Status : Answered

Chosen Option : B

**Comprehension:**

निम्नलिखित गद्यांश को ध्यानपूर्वक पढ़ें और प्रश्न का उत्तर दीजिए।  
पशु और बालक भी जिनके साथ अधिक रहते हैं, उनसे परच जाते हैं। यह परचना परिचय ही है। परिचय प्रेम का प्रवर्तक है। बिना परिचय के प्रेम नहीं हो सकता। यदि देश- प्रेम के लिए हृदय में जगह करनी है तो देश के स्वरूप से परिचित और अभ्यस्त हो जाइए। बाहर निकलने तो आँख खोलकर देखिए कि खेत कैसे लहलहा रहे हैं, नाले झाड़ियों के बीच कैसे बह रहे हैं। टेसू के फूलों से वनस्थली कैसी लाल हो रही है, कछारों में चौपायों के झुंड इधर-उधर चरते हैं, चरवाहे तान लड़ा रहे हैं, अमराइयों के बीच गाँव झाँक रहे हैं; उनमें घुसिए, देखिए तो क्या हो रहा है। जो मिले उनसे दो-दो बातें कीजिए, उनके साथ किसी पेड़ की छाया के नीचे घड़ी-आध घड़ी बैठ जाइए और समझिए कि ये सब हमारे देश के हैं। इस प्रकार जब देश का रूप आपकी आँखों में समा जाएगा, आप उसके अंग-प्रत्यंग से परिचित हो जाएँगे, तब आपके अंतःकरण में इस इच्छा का सचमुच उदय होगा कि वह कभी न छूटे, वह सदा हरा-भरा और फला-फूला रहे, उसके धन-धान्य की वृद्धि हो, उसके सब प्राणी सुखी रहें।

**SubQuestion No : 13****Q.13 कौन सा शब्द 'आँख' का पर्यायवाची नहीं है?**

- Ans  A. लोचन  
 B. नयन  
 C. नेत्र  
 D. अक्ष

Question ID : 630680418534

Option 1 ID : 6306801632861

Option 2 ID : 6306801632859

Option 3 ID : 6306801632860

Option 4 ID : 6306801632862

Status : Answered

Chosen Option : D



**Comprehension:**

निम्नलिखित गद्यांश को ध्यानपूर्वक पढ़ें और प्रश्न का उत्तर दीजिए।  
पशु और बालक भी जिनके साथ अधिक रहते हैं, उनसे परच जाते हैं। यह परचना परिचय ही है। परिचय प्रेम का प्रवर्तक है। बिना परिचय के प्रेम नहीं हो सकता। यदि देश- प्रेम के लिए हृदय में जगह करनी है तो देश के स्वरूप से परिचित और अभ्यस्त हो जाइए। बाहर निकलने तो आँख खोलकर देखिए कि खेत कैसे लहलहा रहे हैं, नाले झाड़ियों के बीच कैसे बह रहे हैं। टेसू के फूलों से वनस्थली कैसी लाल हो रही है, कछारों में चौपायों के झुंड इधर-उधर चरते हैं, चरवाहे तान लड़ा रहे हैं, अमराइयों के बीच गाँव झाँक रहे हैं; उनमें घुसिए, देखिए तो क्या हो रहा है। जो मिले उनसे दो-दो बातें कीजिए, उनके साथ किसी पेड़ की छाया के नीचे घड़ी-आध घड़ी बैठ जाइए और समझिए कि ये सब हमारे देश के हैं। इस प्रकार जब देश का रूप आपकी आँखों में समा जाएगा, आप उसके अंग-प्रत्यंग से परिचित हो जाएँगे, तब आपके अंतःकरण में इस इच्छा का सचमुच उदय होगा कि वह कभी न छूटे, वह सदा हरा-भरा और फला-फूला रहे, उसके धन-धान्य की वृद्धि हो, उसके सब प्राणी सुखी रहें।

**SubQuestion No : 14****Q.14 'वनस्थली' का क्या अर्थ होता है?**

- Ans
- A. जल से घिरा प्रदेश
  - B. किलों से घिरा प्रदेश
  - C. महलों से घिरा प्रदेश
  - D. वनों से घिरा स्थान

Question ID : 630680418535

Option 1 ID : 6306801632866

Option 2 ID : 6306801632864

Option 3 ID : 6306801632863

Option 4 ID : 6306801632865

Status : Answered

Chosen Option : D

**Comprehension:**

निम्नलिखित गद्यांश को ध्यानपूर्वक पढ़ें और प्रश्न का उत्तर दीजिए।  
पशु और बालक भी जिनके साथ अधिक रहते हैं, उनसे परच जाते हैं। यह परचना परिचय ही है। परिचय प्रेम का प्रवर्तक है। बिना परिचय के प्रेम नहीं हो सकता। यदि देश- प्रेम के लिए हृदय में जगह करनी है तो देश के स्वरूप से परिचित और अभ्यस्त हो जाइए। बाहर निकलने तो आँख खोलकर देखिए कि खेत कैसे लहलहा रहे हैं, नाले झाड़ियों के बीच कैसे बह रहे हैं। टेसू के फूलों से वनस्थली कैसी लाल हो रही है, कछारों में चौपायों के झुंड इधर-उधर चरते हैं, चरवाहे तान लड़ा रहे हैं, अमराइयों के बीच गाँव झाँक रहे हैं; उनमें घुसिए, देखिए तो क्या हो रहा है। जो मिले उनसे दो-दो बातें कीजिए, उनके साथ किसी पेड़ की छाया के नीचे घड़ी-आध घड़ी बैठ जाइए और समझिए कि ये सब हमारे देश के हैं। इस प्रकार जब देश का रूप आपकी आँखों में समा जाएगा, आप उसके अंग-प्रत्यंग से परिचित हो जाएँगे, तब आपके अंतःकरण में इस इच्छा का सचमुच उदय होगा कि वह कभी न छूटे, वह सदा हरा-भरा और फला-फूला रहे, उसके धन-धान्य की वृद्धि हो, उसके सब प्राणी सुखी रहें।

**SubQuestion No : 15****Q.15 देश-प्रेम शब्द में कौन-सा समास है?**

- Ans
- A. तत्पुरुष
  - B. द्वंद्व
  - C. कर्मधारय
  - D. अव्ययीभाव

Question ID : 630680418536

Option 1 ID : 6306801632869

Option 2 ID : 6306801632868

Option 3 ID : 6306801632867

Option 4 ID : 6306801632870

Status : Answered

Chosen Option : B

Section : General English

**Q.1 Select the most appropriate meaning of the given idiom.**

**Bear a grudge**

- Ans**  A. Continue to feel happy or friendly with someone or something because of a particular past incident
- B. Continue to feel thankful because someone or something happened in the past
- C. Continue to feel sad or unfriendly with someone or something because of a particular incident that is about to happen
- D. Continue to feel angry or unfriendly with someone or something because of a particular past incident

Question ID : 630680418544

Option 1 ID : 6306801632899

Option 2 ID : 6306801632902

Option 3 ID : 6306801632900

Option 4 ID : 6306801632901

Status : Not Answered

Chosen Option : --

**Q.2 Select the most appropriate option to fill in the blank and complete the idiom.**

**When he bought the mansion he didn't know it was going to be a white \_\_\_\_\_.**

- Ans**  A. tiger
- B. elephant
- C. bull
- D. crocodile

Question ID : 630680418543

Option 1 ID : 6306801632897

Option 2 ID : 6306801632896

Option 3 ID : 6306801632895

Option 4 ID : 6306801632898

Status : Answered

Chosen Option : B

**Q.3 Select the option that has used the correct future perfect tense.**

- Ans**  A. You will have dressed up by the time Simrin reaches home.
- B. You will have dress up by the time Simrin reached home.
- C. You will have dressed up by the time Simrin reach home.
- D. You will have dressed up by the time Simrin reaching home.

Question ID : 630680418540

Option 1 ID : 6306801632885

Option 2 ID : 6306801632883

Option 3 ID : 6306801632884

Option 4 ID : 6306801632886

Status : Answered

Chosen Option : C

Q.4 Select the most appropriate ANTONYM of the underlined word.

I am still skeptical about that plan.

- Ans  A. Unflinching  
 B. Suspicious  
 C. Unconvinced  
 D. Incredulous

Question ID : 630680418541  
Option 1 ID : 6306801632887  
Option 2 ID : 6306801632890  
Option 3 ID : 6306801632889  
Option 4 ID : 6306801632888  
Status : Not Answered  
Chosen Option : --

Q.5 Select the most appropriate verb to fill in the blank.

My sister is \_\_\_\_\_ cakes.

- Ans  A. bake  
 B. baking  
 C. baked  
 D. baker

Question ID : 630680418537  
Option 1 ID : 6306801632873  
Option 2 ID : 6306801632874  
Option 3 ID : 6306801632871  
Option 4 ID : 6306801632872  
Status : Answered  
Chosen Option : B

Q.6 Select the grammatically correct sentence.

- Ans  A. My, but he is super-busy and stressed, cousin is a multi-millionaire with little time to spend time with his family.  
 B. My cousin is a with little time to spend time with his family multi-millionaire, but he is super-busy and stressed.  
 C. My cousin but he is super-busy and stressed is a multi-millionaire, with little time to spend time with his family.  
 D. My cousin is a multi-millionaire, but he is super-busy and stressed, with little time to spend time with his family.

Question ID : 630680418546  
Option 1 ID : 6306801632908  
Option 2 ID : 6306801632909  
Option 3 ID : 6306801632910  
Option 4 ID : 6306801632907  
Status : Answered  
Chosen Option : D

Q.7 Select the most appropriate preposition to fill in the blank.

They picked the flowers \_\_\_\_\_ great care.

- Ans  A. with  
 B. by  
 C. from  
 D. in

Question ID : 630680418538  
Option 1 ID : 6306801632877  
Option 2 ID : 6306801632875  
Option 3 ID : 6306801632876  
Option 4 ID : 6306801632878  
Status : Answered  
Chosen Option : A

Q.8 Select the option that has used the correct past tense.

- Ans  A. I staying at Gangtok with my uncle for ten days  
 B. I stays at Gangtok with my uncle for ten days  
 C. I stay at Gangtok with my uncle for ten days  
 D. I stayed at Gangtok with my uncle for ten days

Question ID : 630680418539  
Option 1 ID : 6306801632880  
Option 2 ID : 6306801632881  
Option 3 ID : 6306801632879  
Option 4 ID : 6306801632882  
Status : Answered  
Chosen Option : D

Q.9 Select the most appropriate proverb that can substitute the underlined segment in the given sentence.

The tycoon has been in and out of hospital for the past two months because of kidney ailment. It's better to be weak and thin than rich and sick.

- Ans  A. rich and healthy  
 B. poor and wealthy  
 C. rich and wealthy  
 D. poor and healthy

Question ID : 630680418545  
Option 1 ID : 6306801632905  
Option 2 ID : 6306801632903  
Option 3 ID : 6306801632906  
Option 4 ID : 6306801632904  
Status : Answered  
Chosen Option : D

**Q.10** Select the most appropriate synonym of the underlined word.

Some defiant children are very shy.

- Ans  A. Acquiescent  
 B. Obedient  
 C. Audacious  
 D. Submissive

Question ID : 630680418542

Option 1 ID : 6306801632892

Option 2 ID : 6306801632893

Option 3 ID : 6306801632891

Option 4 ID : 6306801632894

Status : Not Answered

Chosen Option : --

### Comprehension:

Read the given passage and answer the questions that follow.

Tourists to Jammu and Kashmir have another attraction — a floating post office on the Dal Lake in Srinagar, the first in the country. 'Floating Post Office, Dal Lake's — claimed to be the only one such post office in the world — is built on an intricately carved maroon houseboat, fastened on the western edge of the Dal Lake.

This post office lets you avail yourself of all the regular postal services available in the country while being afloat. The seal used on everything posted from Floating Post Office is unique — along with the date and address, it bears the design of a boatman rowing a shikara on the Dal Lake. The special feature of this post office is that letters posted from here carry a special design which has the picturesque scenery of Dal Lake and Srinagar city. These pictures reach wherever these letters are posted to and hence promote Kashmir as a tourist destination across the world.

This is actually a heritage post office that has existed since British times. It was called Nehru Park Post Office before 2011. But then the chief postmaster John Samuel renamed it as 'Floating Post Office'

The post office's houseboat has two small rooms — one serves as the office and the other a small museum that traces the philatelic history of the state postal department. It has a shop that sells postage stamps and other products.

But for the locals, Floating Post Office is more than an object of fascination. 1-2 crore is deposited per month in the Floating Post Office by communities living in and around the Dal Lake. The lake has several islets that are home to more than 50,000 people.

The greatest fear is the recurrence of 2014 like floods in which the houseboat had gone for a toss uncontrollably pushed by the flood. Rescue teams had to anchor it using a special mechanism in a nearby highland. Then it was brought back on the Dal after the water receded. The biggest boon is that at no time of the year do you need a fan in this post office.

SubQuestion No : 11

**Q.11** With reference to the passage which of the following options is the most appropriate synonym of the underlined word?

The greatest fear is the recurrence of 2014 like floods in which the houseboat had gone for a toss uncontrollably pushed by the flood.

- Ans  A. Irregularity  
 B. Repetition  
 C. Continuation  
 D. Constant

Question ID : 630680418552

Option 1 ID : 6306801632930

Option 2 ID : 6306801632928

Option 3 ID : 6306801632929

Option 4 ID : 6306801632927

Status : Answered

Chosen Option : B

**Comprehension:**

Read the given passage and answer the questions that follow.

Tourists to Jammu and Kashmir have another attraction — a floating post office on the Dal Lake in Srinagar, the first in the country. 'Floating Post Office, Dal Lake's — claimed to be the only one such post office in the world — is built on an intricately carved maroon houseboat, fastened on the western edge of the Dal Lake.

This post office lets you avail yourself of all the regular postal services available in the country while being afloat. The seal used on everything posted from Floating Post Office is unique — along with the date and address, it bears the design of a boatman rowing a shikara on the Dal Lake. The special feature of this post office is that letters posted from here carry a special design which has the picturesque scenery of Dal Lake and Srinagar city. These pictures reach wherever these letters are posted to and hence promote Kashmir as a tourist destination across the world.

This is actually a heritage post office that has existed since British times. It was called Nehru Park Post Office before 2011. But then the chief postmaster John Samuel renamed it as 'Floating Post Office'

The post office's houseboat has two small rooms — one serves as the office and the other a small museum that traces the philatelic history of the state postal department. It has a shop that sells postage stamps and other products.

But for the locals, Floating Post Office is more than an object of fascination. 1-2 crore is deposited per month in the Floating Post Office by communities living in and around the Dal Lake. The lake has several islets that are home to more than 50,000 people.

The greatest fear is the recurrence of 2014 like floods in which the houseboat had gone for a toss uncontrollably pushed by the flood. Rescue teams had to anchor it using a special mechanism in a nearby highland. Then it was brought back on the Dal after the water receded. The biggest boon is that at no time of the year do you need a fan in this post office.

**SubQuestion No : 12**

**Q.12 Identify the tone of the given passage.**

- Ans**
- A. Optimistic
  - B. Serious
  - C. Humorous
  - D. Respectful

Question ID : 630680418551

Option 1 ID : 6306801632925

Option 2 ID : 6306801632924

Option 3 ID : 6306801632923

Option 4 ID : 6306801632926

Status : Answered

Chosen Option : C

**Comprehension:**

Read the given passage and answer the questions that follow.

Tourists to Jammu and Kashmir have another attraction — a floating post office on the Dal Lake in Srinagar, the first in the country. 'Floating Post Office, Dal Lake's — claimed to be the only one such post office in the world — is built on an intricately carved maroon houseboat, fastened on the western edge of the Dal Lake.

This post office lets you avail yourself of all the regular postal services available in the country while being afloat. The seal used on everything posted from Floating Post Office is unique — along with the date and address, it bears the design of a boatman rowing a shikara on the Dal Lake. The special feature of this post office is that letters posted from here carry a special design which has the picturesque scenery of Dal Lake and Srinagar city. These pictures reach wherever these letters are posted to and hence promote Kashmir as a tourist destination across the world.

This is actually a heritage post office that has existed since British times. It was called Nehru Park Post Office before 2011. But then the chief postmaster John Samuel renamed it as 'Floating Post Office'

The post office's houseboat has two small rooms — one serves as the office and the other a small museum that traces the philatelic history of the state postal department. It has a shop that sells postage stamps and other products.

But for the locals, Floating Post Office is more than an object of fascination. 1-2 crore is deposited per month in the Floating Post Office by communities living in and around the Dal Lake. The lake has several islets that are home to more than 50,000 people.

The greatest fear is the recurrence of 2014 like floods in which the houseboat had gone for a toss uncontrollably pushed by the flood. Rescue teams had to anchor it using a special mechanism in a nearby highland. Then it was brought back on the Dal after the water receded. The biggest boon is that at no time of the year do you need a fan in this post office.

**SubQuestion No : 13**

**Q.13 Which of the following sentences is INCORRECT as per the passage?**

- Ans**  A. The post office's houseboat has five big rooms — one serves as the office and the other a small museum that traces the philatelic history of the state postal department.
- B. The special feature of this post office is that letters posted from here carry a special design which has the pictures que scenery of Dal Lake and Srinagar city.
- C. This post office lets you avail yourself of all the regular postal services available in the country while being a float.
- D. The biggest boon is that at no time of the year do you need a fan in this post office.

Question ID : 630680418549

Option 1 ID : 6306801632917

Option 2 ID : 6306801632916

Option 3 ID : 6306801632915

Option 4 ID : 6306801632918

Status : Answered

Chosen Option : C

**Comprehension:**

Read the given passage and answer the questions that follow.

Tourists to Jammu and Kashmir have another attraction — a floating post office on the Dal Lake in Srinagar, the first in the country. 'Floating Post Office, Dal Lake's — claimed to be the only one such post office in the world — is built on an intricately carved maroon houseboat, fastened on the western edge of the Dal Lake.

This post office lets you avail yourself of all the regular postal services available in the country while being afloat. The seal used on everything posted from Floating Post Office is unique — along with the date and address, it bears the design of a boatman rowing a shikara on the Dal Lake. The special feature of this post office is that letters posted from here carry a special design which has the picturesque scenery of Dal Lake and Srinagar city. These pictures reach wherever these letters are posted to and hence promote Kashmir as a tourist destination across the world.

This is actually a heritage post office that has existed since British times. It was called Nehru Park Post Office before 2011. But then the chief postmaster John Samuel renamed it as 'Floating Post Office'

The post office's houseboat has two small rooms — one serves as the office and the other a small museum that traces the philatelic history of the state postal department. It has a shop that sells postage stamps and other products.

But for the locals, Floating Post Office is more than an object of fascination. 1-2 crore is deposited per month in the Floating Post Office by communities living in and around the Dal Lake. The lake has several islets that are home to more than 50,000 people.

The greatest fear is the recurrence of 2014 like floods in which the houseboat had gone for a toss uncontrollably pushed by the flood. Rescue teams had to anchor it using a special mechanism in a nearby highland. Then it was brought back on the Dal after the water receded. The biggest boon is that at no time of the year do you need a fan in this post office.

**SubQuestion No : 14**

**Q.14** Select the most appropriate title for the given passage.

- Ans**  A. Floating Post Office  
 B. Jammu and Kashmir  
 C. Post Office in India  
 D. India Postal Day

Question ID : 630680418548

Option 1 ID : 6306801632912

Option 2 ID : 6306801632911

Option 3 ID : 6306801632913

Option 4 ID : 6306801632914

Status : Answered

Chosen Option : A



**Comprehension:**

Read the given passage and answer the questions that follow.

Tourists to Jammu and Kashmir have another attraction — a floating post office on the Dal Lake in Srinagar, the first in the country. 'Floating Post Office, Dal Lake's — claimed to be the only one such post office in the world — is built on an intricately carved maroon houseboat, fastened on the western edge of the Dal Lake.

This post office lets you avail yourself of all the regular postal services available in the country while being afloat. The seal used on everything posted from Floating Post Office is unique — along with the date and address, it bears the design of a boatman rowing a shikara on the Dal Lake. The special feature of this post office is that letters posted from here carry a special design which has the picturesque scenery of Dal Lake and Srinagar city. These pictures reach wherever these letters are posted to and hence promote Kashmir as a tourist destination across the world.

This is actually a heritage post office that has existed since British times. It was called Nehru Park Post Office before 2011. But then the chief postmaster John Samuel renamed it as 'Floating Post Office'

The post office's houseboat has two small rooms — one serves as the office and the other a small museum that traces the philatelic history of the state postal department. It has a shop that sells postage stamps and other products.

But for the locals, Floating Post Office is more than an object of fascination. 1-2 crore is deposited per month in the Floating Post Office by communities living in and around the Dal Lake. The lake has several islets that are home to more than 50,000 people.

The greatest fear is the recurrence of 2014 like floods in which the houseboat had gone for a toss uncontrollably pushed by the flood. Rescue teams had to anchor it using a special mechanism in a nearby highland. Then it was brought back on the Dal after the water receded. The biggest boon is that at no time of the year do you need a fan in this post office.

**SubQuestion No : 15**

**Q.15 Identify the structure of the given passage.**

- Ans  A. Cause/effect  
 B. Descriptive  
 C. Proposition/support  
 D. Inductive/deductive

Question ID : 630680418550

Option 1 ID : 6306801632921

Option 2 ID : 6306801632922

Option 3 ID : 6306801632919

Option 4 ID : 6306801632920

Status : Answered

Chosen Option : B

## Section : Domain Knowledge

**Q.1** Universal motor speed is controlled with applied voltage control method by connecting \_\_\_\_\_.

- Ans  A. series resistance  
 B. centrifugal switch  
 C. series to capacitor  
 D. tapping field

Question ID : 630680418652

Option 1 ID : 6306801633327

Option 2 ID : 6306801633329

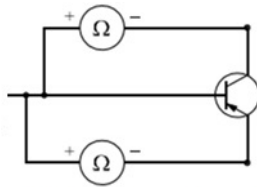
Option 3 ID : 6306801633330

Option 4 ID : 6306801633328

Status : Answered

Chosen Option : D

Q.2



Which is the correct reading for the above connected ohm meter when testing a transistor?

- Ans
- A. Both read high
  - B. One reads low and the other reads high reading
  - C. Both read different reading
  - D. Both read low

Question ID : 630680418672

Option 1 ID : 6306801633409

Option 2 ID : 6306801633407

Option 3 ID : 6306801633408

Option 4 ID : 6306801633410

Status : Answered

Chosen Option : B

Q.3 Which type of copper winding wire is mainly used for submersible pumps?

- Ans
- A. Double silk-covered copper wire
  - B. Super-enamelled copper wire
  - C. Double cotton-covered copper wire
  - D. PVC-covered copper winding wire

Question ID : 630680418608

Option 1 ID : 6306801633151

Option 2 ID : 6306801633153

Option 3 ID : 6306801633152

Option 4 ID : 6306801633154

Status : Answered

Chosen Option : B

Q.4 If a synchronous machine is connected with full load, then the rotating magnetic field rotates at a certain speed known as \_\_\_\_\_.

- Ans
- A. un-synchronous speed
  - B. synchronous speed
  - C. slightly less synchronous speed
  - D. slightly high synchronous speed

Question ID : 630680418638

Option 1 ID : 6306801633271

Option 2 ID : 6306801633272

Option 3 ID : 6306801633273

Option 4 ID : 6306801633274

Status : Answered

Chosen Option : B

**Q.5** The IGBTs which have the \_\_\_\_\_ layer are called punch through IGBTs and IGBTs without the \_\_\_\_\_ layer are called non-punch through IGBTs.

- Ans**
- A. p+ buffer; p+ buffer
  - B. n+ buffer; p+ buffer
  - C. p+ buffer; n+ buffer
  - D. n+ buffer; n+ buffer

Question ID : **630680418685**  
 Option 1 ID : **6306801633462**  
 Option 2 ID : **6306801633460**  
 Option 3 ID : **6306801633461**  
 Option 4 ID : **6306801633459**  
 Status : **Not Answered**  
 Chosen Option : --

**Q.6** Which type of parameter is found by using the open circuit test?

- Ans**
- A. Copper losses
  - B. No load current
  - C. Equivalent impedance on high voltage side
  - D. Equivalent resistance

Question ID : **630680418616**  
 Option 1 ID : **6306801633184**  
 Option 2 ID : **6306801633186**  
 Option 3 ID : **6306801633185**  
 Option 4 ID : **6306801633183**  
 Status : **Answered**  
 Chosen Option : **B**

**Q.7**



Which type of transformer symbol is shown in the above figure?

- Ans**
- A. Two separate core current transformer
  - B. Current transformer with two cores
  - C. Current transformer with two primary winding
  - D. Current transformer with one secondary tapping

Question ID : **630680418617**  
 Option 1 ID : **6306801633190**  
 Option 2 ID : **6306801633187**  
 Option 3 ID : **6306801633189**  
 Option 4 ID : **6306801633188**  
 Status : **Answered**  
 Chosen Option : **C**

Q.8 Which insulating material used in DC machines is a liquid material in golden yellow and black colours?

- Ans
- A. Hemp thread
  - B. Varnish
  - C. Fibre
  - D. Bamboo

Question ID : 630680418607  
Option 1 ID : 6306801633147  
Option 2 ID : 6306801633149  
Option 3 ID : 6306801633150  
Option 4 ID : 6306801633148  
Status : Answered  
Chosen Option : B

Q.9 What is the value of the power factor angle if the measured the power of a three-phase system by using two wattmeter method is  $P_1 = 600$  W and  $P_2 = 300$  W?

- Ans
- A.  $45^\circ$
  - B.  $15^\circ$
  - C.  $60^\circ$
  - D.  $30^\circ$

Question ID : 630680418623  
Option 1 ID : 6306801633213  
Option 2 ID : 6306801633211  
Option 3 ID : 6306801633214  
Option 4 ID : 6306801633212  
Status : Answered  
Chosen Option : D

Q.10 रिले परिपथ के किस भाग में धारा ट्रांसफॉर्मर की द्वितीयक वाइंडिंग होती है?

- Ans
- A. तीसरे भाग (Third part)
  - B. चौथे भाग (Fourth part)
  - C. पहले भाग (First part)
  - D. दूसरे भाग (Second part)

Question ID : 630680418660  
Option 1 ID : 6306801633361  
Option 2 ID : 6306801633362  
Option 3 ID : 6306801633359  
Option 4 ID : 6306801633360  
Status : Answered  
Chosen Option : C

Q.11 What is the composition of the material used for heavy duty soldering?

- Ans  A. Tin 50% and lead 50%
- B. Tin 40% and lead 60%
- C. Tin 63% and lead 37%
- D. Tin 60% and lead 40%

Question ID : 630680418563

Option 1 ID : 6306801632972

Option 2 ID : 6306801632971

Option 3 ID : 6306801632974

Option 4 ID : 6306801632973

Status : Answered

Chosen Option : A

Q.12 Which of the following elements has the highest atomic weight?

- Ans  A. Copper
- B. Mercury
- C. Silver
- D. Lead

Question ID : 630680418574

Option 1 ID : 6306801633015

Option 2 ID : 6306801633017

Option 3 ID : 6306801633018

Option 4 ID : 6306801633016

Status : Not Attempted and  
Marked For Review

Chosen Option : --

Q.13 Lap windings are used in \_\_\_\_\_ machines but wave winding is used in \_\_\_\_\_ machines.

- Ans  A. large; large
- B. large; small
- C. small; small
- D. small; large

Question ID : 630680418637

Option 1 ID : 6306801633267

Option 2 ID : 6306801633268

Option 3 ID : 6306801633270

Option 4 ID : 6306801633269

Status : Answered

Chosen Option : B

Q.14 Which of the following is used to insulate winding lead connection and terminations?

- Ans
- A. Insulation paper sheets
  - B. Sleeves
  - C. Glass fibre cloth
  - D. Empire tape

Question ID : 630680418606

Option 1 ID : 6306801633146

Option 2 ID : 6306801633144

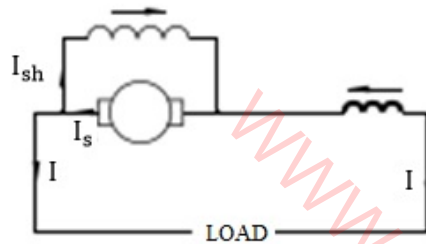
Option 3 ID : 6306801633145

Option 4 ID : 6306801633143

Status : Answered

Chosen Option : B

Q.15



Identify the type of motor in the given figure.

- Ans
- A. Cumulative long shunt compound
  - B. Shunt excited
  - C. Series excited
  - D. Differential short shunt compound

Question ID : 630680418593

Option 1 ID : 6306801633093

Option 2 ID : 6306801633092

Option 3 ID : 6306801633091

Option 4 ID : 6306801633094

Status : Answered

Chosen Option : D

Q.16 Which of the following is used to provide tapping points from the wiring for supplying power to fans, pendent holders, tube lights etc.?

- Ans
- A. Distribution board
  - B. Adaptor
  - C. Connectors
  - D. Ceiling roses

Question ID : 630680418696

Option 1 ID : 6306801633506

Option 2 ID : 6306801633503

Option 3 ID : 6306801633505

Option 4 ID : 6306801633504

Status : Answered

Chosen Option : D

**Q.17** Which rule is used for the clearance of the lowest conductor above the ground across the street?

- Ans**
- A. Rule 88
  - B. Rule 66
  - C. Rule 56
  - D. Rule 77

Question ID : **630680418697**  
Option 1 ID : **6306801633510**  
Option 2 ID : **6306801633508**  
Option 3 ID : **6306801633507**  
Option 4 ID : **6306801633509**  
Status : **Answered**  
Chosen Option : **D**

**Q.18** Which of the following is the correct merit of concentric winding?

- Ans**
- A. Not as efficient as basket winding.
  - B. Winding has more space for cooling.
  - C. Skilled labour is required to insert the coils in the slots,
  - D. A stepped former is required.

Question ID : **630680418647**  
Option 1 ID : **6306801633310**  
Option 2 ID : **6306801633307**  
Option 3 ID : **6306801633308**  
Option 4 ID : **6306801633309**  
Status : **Answered**  
Chosen Option : **B**

**Q.19** Which of the following is a transformer that is used to supply power to the control or auxiliary circuit or equipment, which does NOT intend for direct connection to the main supply?

- Ans**
- A. Panel meter
  - B. Rectifiers
  - C. Limit switches
  - D. Control transformer

Question ID : **630680418689**  
Option 1 ID : **6306801633478**  
Option 2 ID : **6306801633477**  
Option 3 ID : **6306801633475**  
Option 4 ID : **6306801633476**  
Status : **Answered**  
Chosen Option : **D**

Q.20 The watt-hour efficiency is always \_\_\_\_\_ than the ampere-hour efficiency because the potential difference during discharge is \_\_\_\_\_ than that during charge.

- Ans
- A. greater; greater
  - B. greater; lesser
  - C. lesser; lesser
  - D. lesser; greater

Question ID : 630680418577  
 Option 1 ID : 6306801633030  
 Option 2 ID : 6306801633029  
 Option 3 ID : 6306801633027  
 Option 4 ID : 6306801633028  
 Status : Answered  
 Chosen Option : C

Q.21 पैरों की सुरक्षा (foot protection) से किस प्रकार के खतरों से बचा जा सकता है?

- Ans
- A. धूम/गैस/ वाष्प (Fumes/gases/vapours)
  - B. उच्च रव स्तर (High noise level)
  - C. वस्तुओं से टकराना (Striking against objects)
  - D. गर्म अवकीर्ण (Hot spatter)

Question ID : 630680418555  
 Option 1 ID : 6306801632941  
 Option 2 ID : 6306801632942  
 Option 3 ID : 6306801632940  
 Option 4 ID : 6306801632939  
 Status : Answered  
 Chosen Option : C

Q.22 IMPATT डायोड का निम्नलिखित में से कौन सा सही उद्देश्य है?

- Ans
- A. प्रकाश अश्रित डायोड
  - B. अपरिवर्ती धारा डायोड
  - C. हैविली डोपड PN लेयर
  - D. तीव्र स्विचिंग

Question ID : 630680418669  
 Option 1 ID : 6306801633395  
 Option 2 ID : 6306801633397  
 Option 3 ID : 6306801633396  
 Option 4 ID : 6306801633398  
 Status : Not Answered  
 Chosen Option : --



**Q.23** Which type of relay is mainly done by semiconductor switches like thyristor?

- Ans**
- A. Mechanical relay
  - B. Static relay
  - C. Gear based relay
  - D. Electromagnetic relay

Question ID : 630680418658  
Option 1 ID : 6306801633353  
Option 2 ID : 6306801633351  
Option 3 ID : 6306801633354  
Option 4 ID : 6306801633352  
Status : Answered  
Chosen Option : D

**Q.24** The distance between the two sides of a coil, measured in terms of armature slots is known as \_\_\_\_\_.

- Ans**
- A. resultant pitch
  - B. coil span
  - C. front pitch
  - D. pole pitch

Question ID : 630680418635  
Option 1 ID : 6306801633262  
Option 2 ID : 6306801633260  
Option 3 ID : 6306801633261  
Option 4 ID : 6306801633259  
Status : Answered  
Chosen Option : B

**Q.25** The efficiency of synchronous motors is \_\_\_\_\_, compared to induction motors and induction motors are \_\_\_\_\_ than synchronous motors.

- Ans**
- A. very good; cheaper
  - B. normal; costlier
  - C. less; costlier
  - D. less; cheaper

Question ID : 630680418653  
Option 1 ID : 6306801633332  
Option 2 ID : 6306801633331  
Option 3 ID : 6306801633333  
Option 4 ID : 6306801633334  
Status : Answered  
Chosen Option : A

Q.26 Which of the following is INCORRECT for a conservator tank?

- Ans  A. It is used for housing the core winding.
- B. It is in the shape of a drum.
- C. It is mounted on the top of the transformer.
- D. An oil level indicator is fitted to it.

Question ID : 630680418620  
Option 1 ID : 6306801633202  
Option 2 ID : 6306801633199  
Option 3 ID : 6306801633200  
Option 4 ID : 6306801633201  
Status : Answered  
Chosen Option : A

Q.27 Which of the following calibration standards is taken for voltage measurement?

- Ans  A. Dead weight tester
- B. Mercury filled thermometers
- C. Standard resistance milli volt source
- D. High precision source

Question ID : 630680418625  
Option 1 ID : 6306801633222  
Option 2 ID : 6306801633221  
Option 3 ID : 6306801633220  
Option 4 ID : 6306801633219  
Status : Answered  
Chosen Option : C

Q.28 Which of the following primary cells produce the highest energy in watt hours and ampere hours?

- Ans  A. Silver oxide
- B. Alkaline manganese
- C. Carbon zinc
- D. Mercury

Question ID : 630680418576  
Option 1 ID : 6306801633026  
Option 2 ID : 6306801633024  
Option 3 ID : 6306801633023  
Option 4 ID : 6306801633025  
Status : Answered  
Chosen Option : D

Q.29 Air friction loss in a DC machine comes under the category of:

- Ans
- A. core losses
  - B. stray load loss
  - C. copper losses
  - D. mechanical losses

Question ID : 630680418628  
Option 1 ID : 6306801633231  
Option 2 ID : 6306801633234  
Option 3 ID : 6306801633233  
Option 4 ID : 6306801633232  
Status : Answered  
Chosen Option : D

Q.30 Which type of biasing is also known as fixed bias?

- Ans
- A. Base bias
  - B. Voltage divider bias
  - C. Self-bias
  - D. Emitter bias

Question ID : 630680418676  
Option 1 ID : 6306801633424  
Option 2 ID : 6306801633426  
Option 3 ID : 6306801633423  
Option 4 ID : 6306801633425  
Status : Answered  
Chosen Option : B

Q.31 Which type of DC generator is used for arc welding?

- Ans
- A. Over cumulative compound
  - B. Under compound
  - C. Differential compound generator
  - D. Flat or level compound

Question ID : 630680418600  
Option 1 ID : 6306801633119  
Option 2 ID : 6306801633121  
Option 3 ID : 6306801633122  
Option 4 ID : 6306801633120  
Status : Answered  
Chosen Option : C

Q.32 Steel bars are highly magnetised by using \_\_\_\_\_ method.

- Ans
- A. single touch
  - B. divided touch
  - C. electric current
  - D. induction method

Question ID : 630680418580  
Option 1 ID : 6306801633039  
Option 2 ID : 6306801633040  
Option 3 ID : 6306801633041  
Option 4 ID : 6306801633042  
Status : Answered  
Chosen Option : C

Q.33 In the half wave rectifier, the number of diodes is required is \_\_\_\_\_.

- Ans
- A. six
  - B. four
  - C. two
  - D. one

Question ID : 630680418668  
Option 1 ID : 6306801633394  
Option 2 ID : 6306801633393  
Option 3 ID : 6306801633392  
Option 4 ID : 6306801633391  
Status : Answered  
Chosen Option : D

Q.34 Without \_\_\_\_\_, a self-excited generator will not build up its voltage.

- Ans
- A. heat
  - B. permanent magnetism
  - C. heavy overloading
  - D. residual magnetism

Question ID : 630680418599  
Option 1 ID : 6306801633118  
Option 2 ID : 6306801633116  
Option 3 ID : 6306801633117  
Option 4 ID : 6306801633115  
Status : Answered  
Chosen Option : D

**Q.35** The accessories which are used to control the circuits or an electrical point like switches are called \_\_\_\_\_.

- Ans**
- A. holding accessories
  - B. general accessories
  - C. outlet accessories
  - D. controlling accessories

Question ID : 630680418695  
Option 1 ID : 6306801633502  
Option 2 ID : 6306801633499  
Option 3 ID : 6306801633500  
Option 4 ID : 6306801633501  
Status : Answered  
Chosen Option : D

**Q.36** Which part of the transistor generates excess heat?

- Ans**
- A. Base region
  - B. Emitter region
  - C. Both base and emitter
  - D. Collector region

Question ID : 630680418674  
Option 1 ID : 6306801633416  
Option 2 ID : 6306801633415  
Option 3 ID : 6306801633418  
Option 4 ID : 6306801633417  
Status : Answered  
Chosen Option : D

**Q.37** Which of the following classes of insulation works with the highest maximum temperature, compared to others?

- Ans**
- A. Class E
  - B. Class F
  - C. Class A
  - D. Class Y

Question ID : 630680418605  
Option 1 ID : 6306801633142  
Option 2 ID : 6306801633139  
Option 3 ID : 6306801633141  
Option 4 ID : 6306801633140  
Status : Answered  
Chosen Option : B

Q.38 Which of the following is the correct rule of safety for electrical work?

Ans  A. Work can be done on live circuits.

B.

PVC insulated handle screwdrivers should be used while working on electrical circuits.

C.

Bare conductors can be touched directly without using rubber gloves.

D. Unqualified persons should do electrical work.

Question ID : 630680418553

Option 1 ID : 6306801632932

Option 2 ID : 6306801632933

Option 3 ID : 6306801632934

Option 4 ID : 6306801632931

Status : Answered

Chosen Option : B

Q.39 What is the wattage of a light bulb, if 860 lumens bulb efficiency is 14.3 lumens/watt?

Ans  A. 80 watts

B. 100 watts

C. 40 watts

D. 60 watts

Question ID : 630680418631

Option 1 ID : 6306801633245

Option 2 ID : 6306801633246

Option 3 ID : 6306801633243

Option 4 ID : 6306801633244

Status : Answered

Chosen Option : D

Q.40



Identify the type of reflection shown in the above figure.

Ans  A. Diffuse

B. Concentrated

C. Specular

D. Spread

Question ID : 630680418701

Option 1 ID : 6306801633524

Option 2 ID : 6306801633526

Option 3 ID : 6306801633523

Option 4 ID : 6306801633525

Status : Answered

Chosen Option : D

Q.41 The ratio between the winding pitch and the pole pitch is called \_\_\_\_\_.

- Ans
- A. winding factor
  - B. pitch factor
  - C. commuter pitch
  - D. parallel path

Question ID : 630680418646

Option 1 ID : 6306801633303

Option 2 ID : 6306801633304

Option 3 ID : 6306801633305

Option 4 ID : 6306801633306

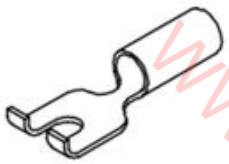
Status : Answered

Chosen Option : B

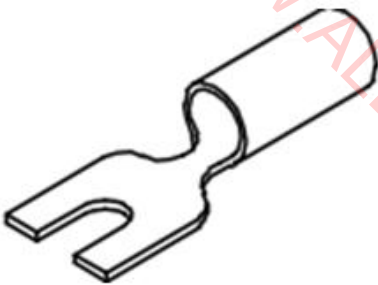
Q.42 Which of the following lug connectors is a flanged spade?

Ans

A.



B.



C.



D.



Question ID : 630680418562

Option 1 ID : 6306801632970

Option 2 ID : 6306801632968

Option 3 ID : 6306801632969

Option 4 ID : 6306801632967

Status : Not Answered

Chosen Option : --

**Q.43** Which of the following refers to the minimum detectable change in the measured variable in measurement system?

- Ans**
- A. Precision
  - B. Standards
  - C. Resolution
  - D. Sensitivity

Question ID : **630680418626**  
Option 1 ID : **6306801633225**  
Option 2 ID : **6306801633226**  
Option 3 ID : **6306801633224**  
Option 4 ID : **6306801633223**  
Status : **Answered**  
Chosen Option : **C**

**Q.44** Which type of DC machine losses contribute to about 30% to 40% of the full load losses?

- Ans**
- A. Air friction losses
  - B. Armature copper losses
  - C. Mechanical losses
  - D. Field winding losses

Question ID : **630680418629**  
Option 1 ID : **6306801633238**  
Option 2 ID : **6306801633235**  
Option 3 ID : **6306801633237**  
Option 4 ID : **6306801633236**  
Status : **Answered**  
Chosen Option : **D**

**Q.45** Which of the following categories of lights/lamps is considered to be quartz lights?

- Ans**
- A. Halogen lamp
  - B. CFL
  - C. Fluorescent lamp
  - D. LED

Question ID : **630680418630**  
Option 1 ID : **6306801633240**  
Option 2 ID : **6306801633241**  
Option 3 ID : **6306801633239**  
Option 4 ID : **6306801633242**  
Status : **Answered**  
Chosen Option : **A**



Q.46 In which of the following applications is a transistor considered as an amplifier?

- Ans
- A. Multi-vibrator circuits
  - B. Flip-flop
  - C. Pulse generator circuit
  - D. RC coupled circuit

Question ID : 630680418678

Option 1 ID : 6306801633431

Option 2 ID : 6306801633434

Option 3 ID : 6306801633432

Option 4 ID : 6306801633433

Status : Answered

Chosen Option : D

Q.47 The source of alternating supply is \_\_\_\_\_.

- Ans
- A. DC generators
  - B. cell
  - C. AC generators
  - D. battery

Question ID : 630680418560

Option 1 ID : 6306801632962

Option 2 ID : 6306801632959

Option 3 ID : 6306801632961

Option 4 ID : 6306801632960

Status : Answered

Chosen Option : C

Q.48 What is the analogous of electrical resistance in the magnetic circuit?

- Ans
- A. Flux density
  - B. Reluctance
  - C. Magnetic flux
  - D. Magnetic motive force

Question ID : 630680418581

Option 1 ID : 6306801633046

Option 2 ID : 6306801633044

Option 3 ID : 6306801633045

Option 4 ID : 6306801633043

Status : Answered

Chosen Option : B

**Q.49** A synchronous motor is stated as induction motor till it runs 2% to 5% below the synchronous speed. Afterwards, excitation is switched on and the rotor reaches instance with the synchronously rotating stator field. The amount of torque is called \_\_\_\_\_.

- Ans**
- A. pull-in torque
  - B. running torque
  - C. pull-out torque
  - D. starting torque

Question ID : **630680418654**  
Option 1 ID : **6306801633336**  
Option 2 ID : **6306801633335**  
Option 3 ID : **6306801633338**  
Option 4 ID : **6306801633337**  
Status : **Answered**  
Chosen Option : **A**

**Q.50** Which of the following powers is equal to true power?

- Ans**
- A. Apparent power
  - B. Imaginary power
  - C. Active power
  - D. Reactive power

Question ID : **630680418614**  
Option 1 ID : **6306801633178**  
Option 2 ID : **6306801633177**  
Option 3 ID : **6306801633175**  
Option 4 ID : **6306801633176**  
Status : **Answered**  
Chosen Option : **C**

**Q.51** Which type of diode is used for low capacitance switching?

- Ans**
- A. Pin diode
  - B. Schottky
  - C. Tunnel
  - D. Photo diode

Question ID : **630680418670**  
Option 1 ID : **6306801633401**  
Option 2 ID : **6306801633400**  
Option 3 ID : **6306801633402**  
Option 4 ID : **6306801633399**  
Status : **Answered**  
Chosen Option : **B**

Q.52 The VHF and UHF amplifiers are classified on the basis of \_\_\_\_\_.

- Ans  A. frequency response  
 B. input  
 C. transistor configuration  
 D. coupling

Question ID : 630680418679  
Option 1 ID : 6306801633436  
Option 2 ID : 6306801633437  
Option 3 ID : 6306801633438  
Option 4 ID : 6306801633435  
Status : Answered  
Chosen Option : A

Q.53 Which of the following is used in variable frequency drives?

- Ans  A. Inverter  
 B. Neither inverter nor rectifier bridge  
 C. Both inverter and rectifier bridge  
 D. Rectifier bridge

Question ID : 630680418692  
Option 1 ID : 6306801633488  
Option 2 ID : 6306801633490  
Option 3 ID : 6306801633489  
Option 4 ID : 6306801633487  
Status : Answered  
Chosen Option : A

Q.54 According to the IE rules, for reasons of safety, the frame of the motor has to be connected by \_\_\_\_\_ distinct earth connections to two earth electrodes with the help of properly sized earth continuity conductors.

- Ans  A. direct  
 B. one  
 C. two  
 D. four

Question ID : 630680418643  
Option 1 ID : 6306801633294  
Option 2 ID : 6306801633291  
Option 3 ID : 6306801633292  
Option 4 ID : 6306801633293  
Status : Answered  
Chosen Option : A

**Q.55** Which type of cables can be bent easily due to the elimination of overall lead sheath?

- Ans**
- A. H type of cable
  - B. SL type cables
  - C. Presser cable
  - D. Belted cables

Question ID : 630680418566  
Option 1 ID : 6306801632985  
Option 2 ID : 6306801632984  
Option 3 ID : 6306801632986  
Option 4 ID : 6306801632983  
Status : Answered  
Chosen Option : B

**Q.56** Which of the following losses is considered as a variable loss in DC machines?

- Ans**
- A. Eddy current loss
  - B. Brush contact loss
  - C. Iron loss
  - D. Friction loss

Question ID : 630680418602  
Option 1 ID : 6306801633127  
Option 2 ID : 6306801633129  
Option 3 ID : 6306801633130  
Option 4 ID : 6306801633128  
Status : Answered  
Chosen Option : D

**Q.57** Which of the following is true for integrated circuits?

- Ans**
- A. More reliable due to specific construction
  - B. Separate discrete components
  - C. Require more space
  - D. Costlier due to individual components

Question ID : 630680418686  
Option 1 ID : 6306801633466  
Option 2 ID : 6306801633463  
Option 3 ID : 6306801633464  
Option 4 ID : 6306801633465  
Status : Answered  
Chosen Option : A

Q.58 Grown junction transistor is the classification on the basis of \_\_\_\_\_.

- Ans
- A. power handling capacity
  - B. manufacturing method
  - C. semiconductor used
  - D. frequency of application

Question ID : 630680418673  
Option 1 ID : 6306801633413  
Option 2 ID : 6306801633412  
Option 3 ID : 6306801633414  
Option 4 ID : 6306801633411  
Status : Answered  
Chosen Option : B

Q.59 The unit of \_\_\_\_\_ is ampere turns/Wb.

- Ans
- A. reluctance
  - B. magnetic flux
  - C. flux density
  - D. magnetic intensity

Question ID : 630680418582  
Option 1 ID : 6306801633049  
Option 2 ID : 6306801633047  
Option 3 ID : 6306801633048  
Option 4 ID : 6306801633050  
Status : Answered  
Chosen Option : A

Q.60 What capacity of flasher is used in 6 rows of parallel circuit if each row has 60 mA?

- Ans
- A. 600 mA
  - B. 360 mA
  - C. 10 mA
  - D. 900 mA

Question ID : 630680418632  
Option 1 ID : 6306801633249  
Option 2 ID : 6306801633248  
Option 3 ID : 6306801633247  
Option 4 ID : 6306801633250  
Status : Answered  
Chosen Option : B

**Q.61** The illumination of a surface is inversely proportional to \_\_\_\_\_ of its distance from the source.

- Ans**
- A. the intensity
  - B. the centre
  - C. the square
  - D. the range

Question ID : 630680418699  
Option 1 ID : 6306801633515  
Option 2 ID : 6306801633518  
Option 3 ID : 6306801633516  
Option 4 ID : 6306801633517  
Status : Answered  
Chosen Option : C

**Q.62** Which of the following sensors is usually used to record very small variations in control panel?

- Ans**
- A. Digital sensor
  - B. Analog sensor
  - C. Active sensor
  - D. Passive sensor

Question ID : 630680418690  
Option 1 ID : 6306801633479  
Option 2 ID : 6306801633480  
Option 3 ID : 6306801633481  
Option 4 ID : 6306801633482  
Status : Answered  
Chosen Option : A

**Q.63** The capability of the relay to determine the point of fault and issue the trip command to the breaker is called \_\_\_\_\_.

- Ans**
- A. reliability
  - B. selectivity
  - C. sensitivity
  - D. speed

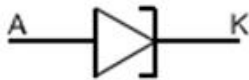
Question ID : 630680418661  
Option 1 ID : 6306801633363  
Option 2 ID : 6306801633364  
Option 3 ID : 6306801633366  
Option 4 ID : 6306801633365  
Status : Answered  
Chosen Option : B

Q.64 Wave winding is used in machines having \_\_\_\_\_ current and \_\_\_\_\_ voltage capacity.

- Ans
- A. low; low
  - B. low; high
  - C. high; low
  - D. high; high

Question ID : 630680418594  
 Option 1 ID : 6306801633095  
 Option 2 ID : 6306801633096  
 Option 3 ID : 6306801633097  
 Option 4 ID : 6306801633098  
 Status : Answered  
 Chosen Option : B

Q.65



Identify the above symbol of a diode.

- Ans
- A. LED
  - B. Tunnel
  - C. Shockley
  - D. Pin diode

Question ID : 630680418671  
 Option 1 ID : 6306801633404  
 Option 2 ID : 6306801633403  
 Option 3 ID : 6306801633405  
 Option 4 ID : 6306801633406  
 Status : Answered  
 Chosen Option : B

Q.66 In lead acid cells, sulphation occurs often due to \_\_\_\_\_.

- Ans
- A. irregular careens
  - B. full discharge
  - C. incomplete charge or discharge
  - D. over charge

Question ID : 630680418578  
 Option 1 ID : 6306801633031  
 Option 2 ID : 6306801633034  
 Option 3 ID : 6306801633033  
 Option 4 ID : 6306801633032  
 Status : Answered  
 Chosen Option : B

Q.67 Which of the following is NOT used in DC machines for producing dynamically induced EMF?

Ans  A. Linear motion for magnets

B.

Relative motion between the conductor and the magnetic field

C. Conducting wire

D. Magnetic field

Question ID : 630680418589

Option 1 ID : 6306801633077

Option 2 ID : 6306801633078

Option 3 ID : 6306801633076

Option 4 ID : 6306801633075

Status : Answered

Chosen Option : A

Q.68 Which type of DC motor frequently uses the 2-point starter?

Ans  A. DC short shunt

B. DC series

C. DC shunt

D. DC long shunt

Question ID : 630680418603

Option 1 ID : 6306801633133

Option 2 ID : 6306801633131

Option 3 ID : 6306801633132

Option 4 ID : 6306801633134

Status : Answered

Chosen Option : B

Q.69 Which factor is INCORRECT when parallel operation is done for a DC generator?

Ans  A. Increase in the voltage level

B. Increased efficiency

C. Increase in the plant capacity

D. Easy to maintain and repair

Question ID : 630680418601

Option 1 ID : 6306801633126

Option 2 ID : 6306801633123

Option 3 ID : 6306801633125

Option 4 ID : 6306801633124

Status : Answered

Chosen Option : D



Q.70 Which of the following types of starters does NOT work for induction motors?

- Ans
- A. Direct on-line starter
  - B. Star delta starter
  - C. 3-point starter
  - D. Auto transformer starter

Question ID : 630680418644

Option 1 ID : 6306801633295

Option 2 ID : 6306801633297

Option 3 ID : 6306801633296

Option 4 ID : 6306801633298

Status : Answered

Chosen Option : C

Q.71 Which of the following parts of the body has a very high resistive value, compared to the others?

- Ans
- A. Ear to ear
  - B. Dry skin
  - C. Internal body hand
  - D. Wet skin

Question ID : 630680418610

Option 1 ID : 6306801633161

Option 2 ID : 6306801633159

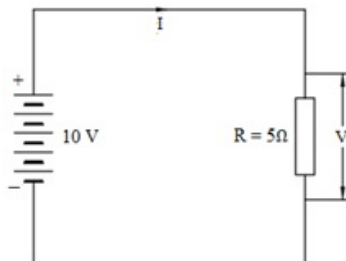
Option 3 ID : 6306801633162

Option 4 ID : 6306801633160

Status : Answered

Chosen Option : B

Q.72



What is the value of voltage across  $5\ \Omega$  resistance in the given circuit?

- Ans
- A. 10 V
  - B. 5 V
  - C. 50 V
  - D. 2 V

Question ID : 630680418568

Option 1 ID : 6306801632993

Option 2 ID : 6306801632992

Option 3 ID : 6306801632994

Option 4 ID : 6306801632991

Status : Answered

Chosen Option : A

**Q.73** What is the value of the hot resistance of an incandescent lamp if a 12 W bulb is operated at 12 V supply?

- Ans**
- A. 144 ohms
  - B. 1 ohm
  - C. 12 ohms
  - D. 6 ohms

Question ID : 630680418702  
Option 1 ID : 6306801633530  
Option 2 ID : 6306801633527  
Option 3 ID : 6306801633529  
Option 4 ID : 6306801633528  
Status : Answered  
Chosen Option : C

**Q.74** The gate circuit of MOSFET and collector emitter circuits of BJT are combined together to form a new device known as \_\_\_\_\_.

- Ans**
- A. FET
  - B. IGBT
  - C. SCR
  - D. GTO

Question ID : 630680418683  
Option 1 ID : 6306801633454  
Option 2 ID : 6306801633452  
Option 3 ID : 6306801633451  
Option 4 ID : 6306801633453  
Status : Answered  
Chosen Option : B

**Q.75** Which of the following is true for impregnated paper used in cables?

- Ans**
- A. High dielectric strength
  - B. High capacitance
  - C. High cost
  - D. Low insulation resistance

Question ID : 630680418565  
Option 1 ID : 6306801632981  
Option 2 ID : 6306801632980  
Option 3 ID : 6306801632979  
Option 4 ID : 6306801632982  
Status : Answered  
Chosen Option : D

Q.76 Which of the following statements is true for field control method?

- Ans
- A. Less efficient and uneconomical
  - B. Used for lower speed to normal speed only
  - C. Losses in rheostat are higher
  - D. Used for higher speed to normal speed only

Question ID : 630680418604  
Option 1 ID : 6306801633137  
Option 2 ID : 6306801633135  
Option 3 ID : 6306801633138  
Option 4 ID : 6306801633136  
Status : Answered  
Chosen Option : D

Q.77 Which of the following factors do NOT extinguish fire?

- Ans
- A. Combustible material
  - B. Starving
  - C. Smothering
  - D. Cooling

Question ID : 630680418554  
Option 1 ID : 6306801632938  
Option 2 ID : 6306801632935  
Option 3 ID : 6306801632936  
Option 4 ID : 6306801632937  
Status : Answered  
Chosen Option : A

Q.78 What is the value of EMF generated by simplex wave winding of a 4-pole generator, having 51 slots, each slot containing 20 conductors, revolution is 1500 rpm and flux per pole is 7.0 mWb?

- Ans
- A. 456 V
  - B. 286 V
  - C. 645 V
  - D. 357 V

Question ID : 630680418598  
Option 1 ID : 6306801633113  
Option 2 ID : 6306801633111  
Option 3 ID : 6306801633114  
Option 4 ID : 6306801633112  
Status : Answered  
Chosen Option : D

**Q.79** Which type of switch is a manually operated mechanical switch and disconnects the circuit?

- Ans**
- A. MCB
  - B. Isolating switch
  - C. Fuse
  - D. Push-up switch

Question ID : 630680418687  
Option 1 ID : 6306801633469  
Option 2 ID : 6306801633468  
Option 3 ID : 6306801633470  
Option 4 ID : 6306801633467  
Status : Answered  
Chosen Option : B

**Q.80** Which of the following is INCORRECT for IGBT?

- Ans**
- A. No commutation circuits are required
  - B. Current controlled device
  - C. Approximately flat temperature coefficient
  - D. On-state losses are reduced

Question ID : 630680418684  
Option 1 ID : 6306801633457  
Option 2 ID : 6306801633455  
Option 3 ID : 6306801633458  
Option 4 ID : 6306801633456  
Status : Answered  
Chosen Option : B

**Q.81** What is the armature resistance of a DC 4-pole lap-wound machine having 0.1 ohm resistance per conductor and the number of conductors is 48?

- Ans**
- A. 0.3 ohms
  - B. 2.4 ohms
  - C. 0.1 ohms
  - D. 1.2 ohms

Question ID : 630680418595  
Option 1 ID : 6306801633100  
Option 2 ID : 6306801633102  
Option 3 ID : 6306801633099  
Option 4 ID : 6306801633101  
Status : Answered  
Chosen Option : A

**Q.82** Which of the following cells uses copper and zinc as the electrodes and sulphuric acid as the electrolyte?

- Ans**
- A. Silver oxide cell
  - B. Alkaline cell
  - C. Lithium cell
  - D. Voltaic cell

Question ID : 630680418575  
Option 1 ID : 6306801633021  
Option 2 ID : 6306801633020  
Option 3 ID : 6306801633022  
Option 4 ID : 6306801633019  
Status : Answered  
Chosen Option : D

**Q.83** When short circuit occurs between two cores of a cable, then the resulting \_\_\_\_\_ resistance will cause \_\_\_\_\_ currents that can become a hazard.

- Ans**
- A. high; high
  - B. low; high
  - C. low; low
  - D. high; low

Question ID : 630680418570  
Option 1 ID : 6306801633000  
Option 2 ID : 6306801633001  
Option 3 ID : 6306801632999  
Option 4 ID : 6306801633002  
Status : Answered  
Chosen Option : B

**Q.84** If 22 lights with the rating of 9 V are connected in series, then what is the supply voltage across the total number of lights?

- Ans**
- A. 68.4 V
  - B. 225 V
  - C. 2.4 V
  - D. 198 V

Question ID : 630680418633  
Option 1 ID : 6306801633252  
Option 2 ID : 6306801633254  
Option 3 ID : 6306801633251  
Option 4 ID : 6306801633253  
Status : Answered  
Chosen Option : D

**Q.85** For voltage drops in the conductors, it is customary to increase the sending end voltage by \_\_\_\_\_.

- Ans**
- A. tap changer
  - B. cooling tubes
  - C. bushing termination
  - D. winding

Question ID : 630680418619

Option 1 ID : 6306801633196

Option 2 ID : 6306801633195

Option 3 ID : 6306801633197

Option 4 ID : 6306801633198

Status : Answered

Chosen Option : A

**Q.86** For which of the following is flexible cord NOT used?

- Ans**
- A. For connection of transportable and hand-held appliances
  - B. For wiring of fixtures
  - C. For pendants
  - D. As a substitute for fixed wiring

Question ID : 630680418656

Option 1 ID : 6306801633345

Option 2 ID : 6306801633344

Option 3 ID : 6306801633343

Option 4 ID : 6306801633346

Status : Answered

Chosen Option : B

**Q.87** Which type of electric lamps are carbon-made lamps?

- Ans**
- A. Arc lamps
  - B. Discharge lamps
  - C. Metal arc lamps
  - D. Filament lamps

Question ID : 630680418700

Option 1 ID : 6306801633521

Option 2 ID : 6306801633522

Option 3 ID : 6306801633520

Option 4 ID : 6306801633519

Status : Answered

Chosen Option : A

**Q.88** During the normal operation of the transistor for amplifications, the emitter base junction must be \_\_\_\_\_ and the base collector junction must be \_\_\_\_\_.

- Ans**
- A. forward-biased; forward-biased
  - B. forward-biased; reverse-biased
  - C. reverse-biased; forward-biased
  - D. reverse-biased; reverse-biased

Question ID : 630680418665

Option 1 ID : 6306801633379

Option 2 ID : 6306801633381

Option 3 ID : 6306801633380

Option 4 ID : 6306801633382

Status : Answered

Chosen Option : B

**Q.89** Which electric effect takes place in a fluorescent tube?

- Ans**
- A. Gas ionisation effect
  - B. Magnetic effect
  - C. Chemical effect
  - D. Heating effect

Question ID : 630680418561

Option 1 ID : 6306801632964

Option 2 ID : 6306801632965

Option 3 ID : 6306801632966

Option 4 ID : 6306801632963

Status : Answered

Chosen Option : A

**Q.90** How many slip rings are taken in a three-phase alternator?

- Ans**
- A. 6
  - B. 2
  - C. 3
  - D. 4

Question ID : 630680418622

Option 1 ID : 6306801633210

Option 2 ID : 6306801633207

Option 3 ID : 6306801633208

Option 4 ID : 6306801633209

Status : Answered

Chosen Option : B

Q.91 According to the second law, the change of flux with respect to time is equal to \_\_\_\_\_.

- Ans
- A. magnetic force
  - B. magnetic current
  - C. magnetic power
  - D. electro motive force

Question ID : 630680418588

Option 1 ID : 6306801633071

Option 2 ID : 6306801633074

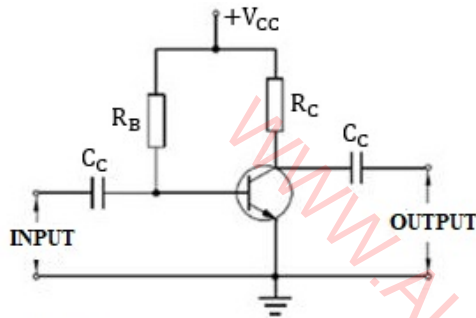
Option 3 ID : 6306801633072

Option 4 ID : 6306801633073

Status : Answered

Chosen Option : D

Q.92



Which type of bias is used in above transistor circuit?

- Ans
- A. Emitter feedback bias
  - B. Self-bias
  - C. Fixed bias
  - D. Voltage divider bias

Question ID : 630680418675

Option 1 ID : 6306801633420

Option 2 ID : 6306801633422

Option 3 ID : 6306801633419

Option 4 ID : 6306801633421

Status : Answered

Chosen Option : D

Q.93 Which of the following machines takes two different types of supply?

- Ans
- A. DC shunt motor
  - B. Single phase induction motor
  - C. Transformer
  - D. Synchronous motor

Question ID : 630680418611

Option 1 ID : 6306801633164

Option 2 ID : 6306801633163

Option 3 ID : 6306801633166

Option 4 ID : 6306801633165

Status : Answered

Chosen Option : D



**Q.94** What is the value of current gain in common emitter configuration if 1 mA and 20  $\mu$ A are the collector current and base current, respectively?

- Ans
- A. 0.98
  - B. 200
  - C. 50
  - D. 120

Question ID : 630680418677  
Option 1 ID : 6306801633430  
Option 2 ID : 6306801633427  
Option 3 ID : 6306801633429  
Option 4 ID : 6306801633428  
Status : Answered  
Chosen Option : C

**Q.95** In a universal motor, compensating winding is a must for \_\_\_\_\_ machines and inter-poles are provided in \_\_\_\_\_ machines.

- Ans
- A. small; small
  - B. large; large
  - C. small; large
  - D. large; small

Question ID : 630680418650  
Option 1 ID : 6306801633319  
Option 2 ID : 6306801633322  
Option 3 ID : 6306801633320  
Option 4 ID : 6306801633321  
Status : Answered  
Chosen Option : B

**Q.96** What is the apparent power of a 100-kW load with 0.6 power factor?

- Ans
- A.  $167 \times 10^3$  volt ampere
  - B. 1500 volt ampere
  - C. 156 k volt ampere
  - D.  $25 \times 10^3$  volt ampere

Question ID : 630680418615  
Option 1 ID : 6306801633181  
Option 2 ID : 6306801633179  
Option 3 ID : 6306801633180  
Option 4 ID : 6306801633182  
Status : Answered  
Chosen Option : A

Q.97 What is the equivalent of  $1/\text{reluctance}$  in a magnetic circuit?

- Ans
- A. Permeability
  - B. Reluctivity
  - C. Permeance
  - D. Flux

Question ID : 630680418584  
Option 1 ID : 6306801633058  
Option 2 ID : 6306801633057  
Option 3 ID : 6306801633056  
Option 4 ID : 6306801633055  
Status : Answered  
Chosen Option : C

Q.98 In a DC machine, the armature winding may be simplex, duplex or multiplex, and this multiplicity increases the number of \_\_\_\_\_.

- Ans
- A. wave windings
  - B. commutators
  - C. conductors
  - D. parallel paths



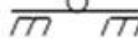

Question ID : 630680418636  
Option 1 ID : 6306801633265  
Option 2 ID : 6306801633266  
Option 3 ID : 6306801633263  
Option 4 ID : 6306801633264  
Status : Answered  
Chosen Option : D

Q.99 Which of the following is NOT a part of a universal motor?

- Ans
- A. Centrifugal switch
  - B. Armature
  - C. Stator stampings
  - D. End plates

Question ID : 630680418649  
Option 1 ID : 6306801633317  
Option 2 ID : 6306801633315  
Option 3 ID : 6306801633316  
Option 4 ID : 6306801633318  
Status : Answered  
Chosen Option : A

Q.100 Which of the following symbol represents wiring in conduit?

- Ans
- A. 
  - B. 
  - C. 
  - D. 

Question ID : 630680418694

Option 1 ID : 6306801633496

Option 2 ID : 6306801633497

Option 3 ID : 6306801633495

Option 4 ID : 6306801633498

Status : Answered

Chosen Option : A

Q.101 Which material is NOT used as the permanent magnet for synchronous motors?

- Ans
- A. Samarium cobalt
  - B. Ferrite on the rotor
  - C. Nickel aluminium
  - D. Neodymium boron iron

Question ID : 630680418640

Option 1 ID : 6306801633280

Option 2 ID : 6306801633281

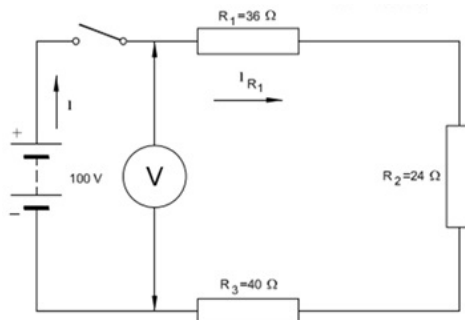
Option 3 ID : 6306801633282

Option 4 ID : 6306801633279

Status : Answered

Chosen Option : C

Q.102



After connecting the switch, what value of voltage is produced across 24 Ω resistance?

- Ans
- A. 36 V
  - B. 24 V
  - C. 40 V
  - D. 12 V

Question ID : 630680418586

Option 1 ID : 6306801633063

Option 2 ID : 6306801633064

Option 3 ID : 6306801633066

Option 4 ID : 6306801633065

Status : Answered

Chosen Option : B

Q.103 Which of the following is true for reversing the direction of rotation in a capacitor start induction motor?

- Ans
- A. Interchange the terminal of capacitor
  - B. Supplying terminal can be changed
  - C. Change the terminal of the starting or main winding
  - D. Change both terminal voltage and capacitor

Question ID : 630680418648  
Option 1 ID : 6306801633312  
Option 2 ID : 6306801633311  
Option 3 ID : 6306801633313  
Option 4 ID : 6306801633314  
Status : Answered  
Chosen Option : C

Q.104 Frequency conversion is known as \_\_\_\_\_.

- Ans
- A. cyclo-converters
  - B. AC voltage controllers
  - C. DC chopper
  - D. inverters

Question ID : 630680418691  
Option 1 ID : 6306801633486  
Option 2 ID : 6306801633484  
Option 3 ID : 6306801633483  
Option 4 ID : 6306801633485  
Status : Answered  
Chosen Option : A

Q.105 Voltage regulation in underground cable systems is much better because it has \_\_\_\_\_.

- Ans
- A. less inductive losses
  - B. less capacitive losses
  - C. high capacitive losses
  - D. high inductive losses

Question ID : 630680418564  
Option 1 ID : 6306801632975  
Option 2 ID : 6306801632976  
Option 3 ID : 6306801632978  
Option 4 ID : 6306801632977  
Status : Answered  
Chosen Option : A

Q.106 Through which of the following terminals do majority carriers enter the bar for FET?

- Ans
- A. Gate terminal
  - B. Source terminal
  - C. Drain terminal
  - D. Channel

Question ID : 630680418682  
Option 1 ID : 6306801633449  
Option 2 ID : 6306801633448  
Option 3 ID : 6306801633447  
Option 4 ID : 6306801633450  
Status : Answered  
Chosen Option : B

Q.107 Which of the following is connected across the transformer winding and burns when lightning occurs and protects the transformer?

- Ans
- A. Charger fuse to protect the charger circuit
  - B. Polyester capacitor for lightning protection
  - C. Input fuse on mains
  - D. Fuses to protect the MOSFETS

Question ID : 630680418693  
Option 1 ID : 6306801633494  
Option 2 ID : 6306801633492  
Option 3 ID : 6306801633491  
Option 4 ID : 6306801633493  
Status : Answered  
Chosen Option : B

Q.108 The nucleus is the \_\_\_\_\_ of the atom.

- Ans
- A. lower part
  - B. upper part
  - C. central part
  - D. corner part

Question ID : 630680418557  
Option 1 ID : 6306801632948  
Option 2 ID : 6306801632947  
Option 3 ID : 6306801632949  
Option 4 ID : 6306801632950  
Status : Answered  
Chosen Option : C

Q.109 Which of the following is known as a meter-candle?

- Ans
- A. Candela
  - B. Lux
  - C. Lumen
  - D. Contrast of light

Question ID : 630680418698  
Option 1 ID : 6306801633512  
Option 2 ID : 6306801633514  
Option 3 ID : 6306801633511  
Option 4 ID : 6306801633513  
Status : Answered  
Chosen Option : B

Q.110 Which of the following is known as conductor-liquid?

- Ans
- A. Transformer oil
  - B. Alcohol
  - C. Ammonium chloride solution
  - D. Water

Question ID : 630680418571  
Option 1 ID : 6306801633006  
Option 2 ID : 6306801633005  
Option 3 ID : 6306801633003  
Option 4 ID : 6306801633004  
Status : Answered  
Chosen Option : C

Q.111 Which of the following application is NOT done by UJT?

- Ans
- A. Coupling amplifier
  - B. Timing circuit
  - C. Oscillators
  - D. Triggers for thyristors

Question ID : 630680418681  
Option 1 ID : 6306801633446  
Option 2 ID : 6306801633445  
Option 3 ID : 6306801633444  
Option 4 ID : 6306801633443  
Status : Answered  
Chosen Option : A

Q.112 Squirrel cage motors have a rotor with \_\_\_\_\_, whereas slip ring motors have wound rotors having \_\_\_\_\_ connected in either star or delta

- Ans
- A. three windings; short circuit bars
  - B. short-circuited bars; three windings
  - C. larger winding; small winding
  - D. small winding; larger winding

Question ID : 630680418642

Option 1 ID : 6306801633287

Option 2 ID : 6306801633288

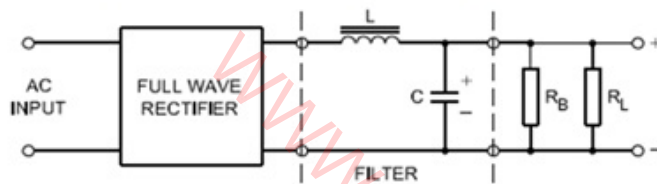
Option 3 ID : 6306801633290

Option 4 ID : 6306801633289

Status : Answered

Chosen Option : B

Q.113 Which type of filter circuit is used in following rectifier filter?



- Ans
- A. Series inductor filter
  - B. Shunt capacitor filter
  - C. Pi filter
  - D. Choke filter

Question ID : 630680418666

Option 1 ID : 6306801633383

Option 2 ID : 6306801633384

Option 3 ID : 6306801633386

Option 4 ID : 6306801633385

Status : Answered

Chosen Option : D

Q.114 Which of the following is true for DC series motors compared to universal motors?

- Ans
- A. Do not require compensating winding
  - B. Require inter poles
  - C. High resistance grade brushes are necessary
  - D. Require only a minimum air gap

Question ID : 630680418651

Option 1 ID : 6306801633323

Option 2 ID : 6306801633324

Option 3 ID : 6306801633325

Option 4 ID : 6306801633326

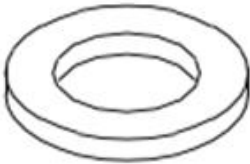
Status : Answered

Chosen Option : C

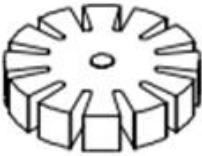
**Q.115** Identify the cylindrical type magnet in which the concentration of magnetism is at the north and south pole ends.

Ans

A.



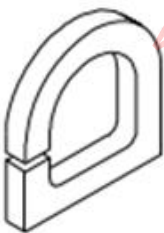
B.



C.



D.



Question ID : **630680418579**  
Option 1 ID : **6306801633035**  
Option 2 ID : **6306801633038**  
Option 3 ID : **6306801633036**  
Option 4 ID : **6306801633037**

Status : **Answered**

Chosen Option : **C**

**Q.116** Which is the correct unit of apparent power in a three-phase system?

Ans

A. Volt ampere

B. Volt ampere reactive

C. Volt ampere per second

D. Watts

Question ID : **630680418613**  
Option 1 ID : **6306801633173**  
Option 2 ID : **6306801633172**  
Option 3 ID : **6306801633174**  
Option 4 ID : **6306801633171**

Status : **Answered**

Chosen Option : **A**



Q.117 Atoms that have the outer shell exactly filled are called \_\_\_\_\_.

- Ans
- A. chemically strong
  - B. chemically weak
  - C. chemically active
  - D. chemically inactive

Question ID : 630680418558  
Option 1 ID : 6306801632954  
Option 2 ID : 6306801632953  
Option 3 ID : 6306801632951  
Option 4 ID : 6306801632952  
Status : Answered  
Chosen Option : D

Q.118



Which type of lightning arrester is shown in the above figure?

- Ans
- A. Pellet-type arrester
  - B. Valve-type arrester
  - C. Multi-gap arrester
  - D. Horn-gap arrester

Question ID : 630680418663  
Option 1 ID : 6306801633374  
Option 2 ID : 6306801633373  
Option 3 ID : 6306801633372  
Option 4 ID : 6306801633371  
Status : Answered  
Chosen Option : D

Q.119 Which of the following protective devices is used to reduce the effect of moisture in oil?

- Ans
- A. Explosion vent
  - B. Buchholz relay
  - C. Miniature circuit breaker
  - D. Breather

Question ID : 630680418618  
Option 1 ID : 6306801633193  
Option 2 ID : 6306801633192  
Option 3 ID : 6306801633194  
Option 4 ID : 6306801633191  
Status : Answered  
Chosen Option : D

Q.120 Which of the following is equal to  $1 \times 10^{-6}$  ?

- Ans
- A. 1 mA
  - B. 1  $\mu$ A
  - C. 1pA
  - D. 1 kA

Question ID : 630680418559  
Option 1 ID : 6306801632956  
Option 2 ID : 6306801632957  
Option 3 ID : 6306801632958  
Option 4 ID : 6306801632955  
Status : Answered  
Chosen Option : B

Q.121 Which of the following is INCORRECT for rod and pipe electrodes in earthing?

- Ans
- A. The electrodes have a clean surface.
  - B. They have high conductivity.
  - C. They have high resistivity.
  - D. They are not painted.

Question ID : 630680418609  
Option 1 ID : 6306801633155  
Option 2 ID : 6306801633157  
Option 3 ID : 6306801633158  
Option 4 ID : 6306801633156  
Status : Answered  
Chosen Option : C

Q.122 Which type of wiring takes more time for installation, compared to others?

- Ans
- A. Conduit wiring PVC
  - B. Conduit wiring metal
  - C. Batten wiring
  - D. Casing and capping

Question ID : 630680418655  
Option 1 ID : 6306801633342  
Option 2 ID : 6306801633341  
Option 3 ID : 6306801633340  
Option 4 ID : 6306801633339  
Status : Answered  
Chosen Option : B

Q.123 The mass of a substance liberated or deposited during electrolysis by one coulomb of electricity is termed as \_\_\_\_\_.

- Ans  A. unit material  
 B. electrochemical equivalent  
 C. electrochemical value  
 D. electrochemical reaction

Question ID : 630680418572  
Option 1 ID : 6306801633007  
Option 2 ID : 6306801633009  
Option 3 ID : 6306801633008  
Option 4 ID : 6306801633010  
Status : Answered  
Chosen Option : B

Q.124 Which type of DC motor brush produces high voltage drop on contact with the commutator?

- Ans  A. Electro graphite  
 B. Copper carbon brush  
 C. Carbon  
 D. Copper brush

Question ID : 630680418596  
Option 1 ID : 6306801633105  
Option 2 ID : 6306801633104  
Option 3 ID : 6306801633106  
Option 4 ID : 6306801633103  
Status : Answered  
Chosen Option : D

Q.125 Which of the following is NOT considered in protective relaying scheme?

- Ans  A. Power transformer  
 B. Current and voltage transformer  
 C. Secondary circuits  
 D. Trip circuit

Question ID : 630680418659  
Option 1 ID : 6306801633358  
Option 2 ID : 6306801633355  
Option 3 ID : 6306801633356  
Option 4 ID : 6306801633357  
Status : Answered  
Chosen Option : A

Q.126 The typical value of forward voltage is \_\_\_\_\_ and reverse voltage is \_\_\_\_\_ of LED.

- Ans
- A. 2V; 10V
  - B. 1.7V; 8V
  - C. 2V; 5V
  - D. 1V; 5V

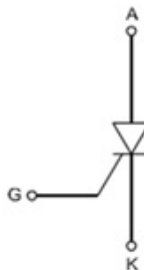
Question ID : 630680418634  
 Option 1 ID : 6306801633257  
 Option 2 ID : 6306801633256  
 Option 3 ID : 6306801633258  
 Option 4 ID : 6306801633255  
 Status : Answered  
 Chosen Option : C

Q.127 According to Ohm's law, if 50 ohms is the resistance of a conductor when 200 V is applied and 4 A current is flowing through it, then what is the value of the resistance for the same conductor when 400 V is applied and 8 A current flows through it?

- Ans
- A. 50  $\Omega$
  - B. 100  $\Omega$
  - C. 75  $\Omega$
  - D. 25  $\Omega$

Question ID : 630680418567  
 Option 1 ID : 6306801632988  
 Option 2 ID : 6306801632990  
 Option 3 ID : 6306801632989  
 Option 4 ID : 6306801632987  
 Status : Answered  
 Chosen Option : A

Q.128



Identify the given symbol.

- Ans
- A. FET
  - B. Silicon controlled rectifier
  - C. UJT
  - D. TRIAC

Question ID : 630680418680  
 Option 1 ID : 6306801633440  
 Option 2 ID : 6306801633441  
 Option 3 ID : 6306801633439  
 Option 4 ID : 6306801633442  
 Status : Answered  
 Chosen Option : B

Q.129 The permeability of a magnetic material is the ratio of \_\_\_\_\_.

- Ans
- A. magneto motive current to flux density
  - B. flux density to magnetic intensity
  - C. magnetic intensity to magneto motive current
  - D. flux density to magneto motive current

Question ID : 630680418583  
Option 1 ID : 6306801633053  
Option 2 ID : 6306801633052  
Option 3 ID : 6306801633054  
Option 4 ID : 6306801633051  
Status : Answered  
Chosen Option : B

Q.130 The ratio of atomic weight to valence in a chemical solution is known as \_\_\_\_\_.

- Ans
- A. equivalent value
  - B. equivalent weight
  - C. equivalent of devotion
  - D. equivalent of deposition

Question ID : 630680418573  
Option 1 ID : 6306801633014  
Option 2 ID : 6306801633013  
Option 3 ID : 6306801633011  
Option 4 ID : 6306801633012  
Status : Answered  
Chosen Option : A

Q.131 Which of the following meters is used to measure AC current, without interrupting the circuit?

- Ans
- A. Digital multi meter
  - B. Neon tester
  - C. Tong tester
  - D. Moving coil ammeter

Question ID : 630680418624  
Option 1 ID : 6306801633216  
Option 2 ID : 6306801633218  
Option 3 ID : 6306801633217  
Option 4 ID : 6306801633215  
Status : Answered  
Chosen Option : C

**Q.132** How many poles are taken when a synchronous motor runs at 1800 rpm with 440 V, 60 Hz supply?

- Ans
- A. 2
  - B. 8
  - C. 12
  - D. 4

Question ID : 630680418639  
Option 1 ID : 6306801633275  
Option 2 ID : 6306801633277  
Option 3 ID : 6306801633278  
Option 4 ID : 6306801633276  
Status : Answered  
Chosen Option : D

**Q.133** If the number of poles increase from 4 to 8 of an alternating motor, then the speed of motor is from 1500 rpm to \_\_\_\_\_.

- Ans
- A. 1000 rpm
  - B. 3000 rpm
  - C. 750 rpm
  - D. 1500 rpm

Question ID : 630680418621  
Option 1 ID : 6306801633205  
Option 2 ID : 6306801633203  
Option 3 ID : 6306801633206  
Option 4 ID : 6306801633204  
Status : Answered  
Chosen Option : C

**Q.134** What is the value of two resistances, if they make equivalent resistance  $90\ \Omega$  and  $22.2\ \Omega$  when connected in series and parallel, respectively?

- Ans
- A. 40, 60
  - B. 60, 30
  - C. 50, 40
  - D. 36, 45

Question ID : 630680418585  
Option 1 ID : 6306801633060  
Option 2 ID : 6306801633062  
Option 3 ID : 6306801633061  
Option 4 ID : 6306801633059  
Status : Answered  
Chosen Option : C

Q.135 निम्नलिखित में से क्या पीवीसी (PVC) कंड्यूट वायरिंग के लिए उपयुक्त है लेकिन मेटल कंड्यूट (metal conduit) के लिए नहीं?

- Ans
- A. उचित भू-सांतत्य (Good earth continuity)
  - B. शारीरिक सुरक्षा (Physical protection)
  - C. संक्षारण (Corrosion)
  - D. भार (Weight)

Question ID : 630680418657

Option 1 ID : 6306801633350

Option 2 ID : 6306801633347

Option 3 ID : 6306801633349

Option 4 ID : 6306801633348

Status : Answered

Chosen Option : A

Q.136 Which of the following represents the  $X_L/R$  in an AC series circuit?

- Ans
- A. Quality factor
  - B. Resonant frequency
  - C. Reactance
  - D. Impedance

Question ID : 630680418612

Option 1 ID : 6306801633168

Option 2 ID : 6306801633169

Option 3 ID : 6306801633167

Option 4 ID : 6306801633170

Status : Answered

Chosen Option : A

Q.137 What is used for identifying the dimension of the wiring installation?

- Ans
- A. Hacksaw
  - B. Spanner set
  - C. Measuring steel tape
  - D. Portable electric drilling machine

Question ID : 630680418556

Option 1 ID : 6306801632945

Option 2 ID : 6306801632943

Option 3 ID : 6306801632944

Option 4 ID : 6306801632946

Status : Answered

Chosen Option : C

Q.138 Which of the following is an INCORRECT feature of synchronous motors?

Ans  A. The variation of the load affects the speed of the motor.

B.

The synchronous motor operates both for leading and lagging power factor.

C.

The speed of the synchronous motor is independent of the load.

D. The synchronous motor is not self-starting.

Question ID : 630680418641

Option 1 ID : 6306801633286

Option 2 ID : 6306801633285

Option 3 ID : 6306801633283

Option 4 ID : 6306801633284

Status : Answered

Chosen Option : A

Q.139 Which of the following parts of a DC machine provides low reluctance for the armature flux?

Ans  A. Ball bearing

B. Commutator

C. Field coil

D. Armature core

Question ID : 630680418591

Option 1 ID : 6306801633086

Option 2 ID : 6306801633084

Option 3 ID : 6306801633083

Option 4 ID : 6306801633085

Status : Answered

Chosen Option : D

Q.140 The starting current of the squirrel cage induction motor is \_\_\_\_\_ and the starting current of slip ring induction motor is \_\_\_\_\_.

Ans  A. high; high

B. low; low

C. high; low

D. low; high

Question ID : 630680418645

Option 1 ID : 6306801633299

Option 2 ID : 6306801633300

Option 3 ID : 6306801633302

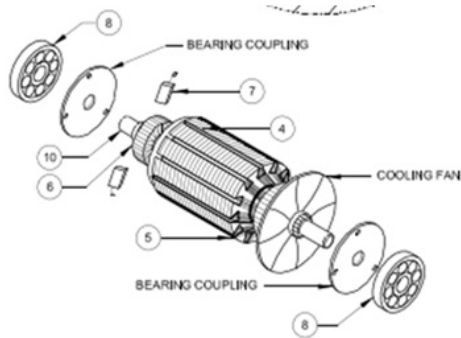
Option 4 ID : 6306801633301

Status : Answered

Chosen Option : C



Q.141



What is the name of the part indicated by number 7 in given diagram of a DC machine?

- Ans
- A. Armature core
  - B. Field coil
  - C. Ball bearing
  - D. Carbon brush

Question ID : 630680418590

Option 1 ID : 6306801633079

Option 2 ID : 6306801633081

Option 3 ID : 6306801633080

Option 4 ID : 6306801633082

Status : Answered

Chosen Option : D

Q.142 Which type of the meter produces typical accuracy 1% to 3%?

- Ans
- A. Thermocouple
  - B. Rectifier type moving coil
  - C. Moving coil
  - D. Moving iron

Question ID : 630680418627

Option 1 ID : 6306801633230

Option 2 ID : 6306801633229

Option 3 ID : 6306801633227

Option 4 ID : 6306801633228

Status : Answered

Chosen Option : D

Q.143 Which of the following is a protective device that is connected in series with a live wire to protect the circuit from short circuit and earth fault?

- Ans
- A. Fuses
  - B. MCB
  - C. Contactors
  - D. Indicating lamp

Question ID : 630680418688

Option 1 ID : 6306801633473

Option 2 ID : 6306801633472

Option 3 ID : 6306801633471

Option 4 ID : 6306801633474

Status : Answered

Chosen Option : B

**Q.144** In which type of DC generator, field excitation is provided by its own current and initially the voltage is built up by residual magnetism by field poles?

- Ans
- A. Separately excited DC generator
  - B. Self-excited DC generator
  - C. AC rectification DC generator
  - D. Permanent magnet DC generator

Question ID : **630680418592**

Option 1 ID : **6306801633088**

Option 2 ID : **6306801633089**

Option 3 ID : **6306801633090**

Option 4 ID : **6306801633087**

Status : **Answered**

Chosen Option : **B**

**Q.145** Which of the following applications use the non-polarised type capacitor with the capacitance of 0.47-220  $\mu\text{F}$ ?

- Ans
- A. Loudspeaker cross-overs
  - B. Power supplies
  - C. AC motors
  - D. RF coupling

Question ID : **630680418587**

Option 1 ID : **6306801633068**

Option 2 ID : **6306801633067**

Option 3 ID : **6306801633069**

Option 4 ID : **6306801633070**

Status : **Answered**

Chosen Option : **C**

**Q.146** Which of the following applications uses distance protection?

- Ans
- A. Motor of very large size
  - B. Transformers
  - C. Generators
  - D. Transmission or sub-transmission

Question ID : **630680418662**

Option 1 ID : **6306801633370**

Option 2 ID : **6306801633368**

Option 3 ID : **6306801633369**

Option 4 ID : **6306801633367**

Status : **Answered**

Chosen Option : **D**

**Q.147** Which of the following is equivalent to the average EMF generated per conductor in one revolution of a DC motor?

- Ans
- A. Rate of the change of power
  - B. Rate of the changes of current
  - C. Rate of the change of flux
  - D. Rate of the change of speed

Question ID : 630680418597  
Option 1 ID : 6306801633108  
Option 2 ID : 6306801633107  
Option 3 ID : 6306801633109  
Option 4 ID : 6306801633110  
Status : Answered  
Chosen Option : C

**Q.148** Which of the following correctly defines the peak inverse voltage of the centre tap full wave rectifier if the input peak voltage is  $V$ ?

- Ans
- A.  $2V$
  - B.  $V$
  - C.  $4V$
  - D.  $V/2$

Question ID : 630680418667  
Option 1 ID : 6306801633388  
Option 2 ID : 6306801633387  
Option 3 ID : 6306801633389  
Option 4 ID : 6306801633390  
Status : Answered  
Chosen Option : A

**Q.149** In most of the transistors, the collector region is made physically \_\_\_\_\_ than the emitter region.

- Ans
- A. larger
  - B. weaker
  - C. smaller
  - D. stronger

Question ID : 630680418664  
Option 1 ID : 6306801633376  
Option 2 ID : 6306801633378  
Option 3 ID : 6306801633375  
Option 4 ID : 6306801633377  
Status : Answered  
Chosen Option : A

Q.150 Which type of application is NOT done by Ohm's law?

- Ans
- A. Finding the size of the cable for the heater coil
  - B. Finding the resistance of the heater coil
  - C. Finding the power consumption of the heater coil
  - D. Finding the cost of the heater coil

Question ID : 630680418569

Option 1 ID : 6306801632997

Option 2 ID : 6306801632995

Option 3 ID : 6306801632996

Option 4 ID : 6306801632998

Status : Answered

Chosen Option : D

WWW.ALLEXAMREVIEW.COM