



UTTAR PRADESH POWER CORPORATION LTD.

Participant ID	WWW.ALLEXAMREVIEW.COM
Participant Name	
Test Center Name	
Test Date	09/11/2023
Test Time	2:30 PM - 5:30 PM
Subject	Technician Electrical

Section : Computer Knowledge - CCC Level of NIELIT

Q.1 Which of the following devices is widely used to play games on a computer?

- Ans
- A. Plotter
 - B. Printer
 - C. Joystick
 - D. Scanner

Question ID : 630680436939

Option 1 ID : 6306801705682

Option 2 ID : 6306801705681

Option 3 ID : 6306801705684

Option 4 ID : 6306801705683

Status : Answered

Chosen Option : C

Q.2 Which of the following is NOT a valid chart used in MS-Excel 2010?

- Ans
- A. Bar
 - B. Radar
 - C. List
 - D. Surface

Question ID : 630680436956

Option 1 ID : 6306801705750

Option 2 ID : 6306801705751

Option 3 ID : 6306801705749

Option 4 ID : 6306801705752

Status : Answered

Chosen Option : B

Q.3 The 'Convert to text' option, which is used to convert a table to text, is available in which of the following Table tools tabs of MS-Word 2010?

- Ans**
- A. Draw
 - B. Review
 - C. Layout
 - D. References

Question ID : **630680436963**
Option 1 ID : **6306801705777**
Option 2 ID : **6306801705778**
Option 3 ID : **6306801705780**
Option 4 ID : **6306801705779**
Status : **Not Answered**
Chosen Option : --

Q.4 What will be the output of the function call '=N("Welcome")' in MS-Excel 2010?

- Ans**
- A. 2
 - B. 0
 - C. Welcome
 - D. 4

Question ID : **630680436957**
Option 1 ID : **6306801705755**
Option 2 ID : **6306801705754**
Option 3 ID : **6306801705753**
Option 4 ID : **6306801705756**
Status : **Not Answered**
Chosen Option : --

Q.5 The maximum number of columns contained in a table of MS-Word 2010 is _____.

- Ans**
- A. 55
 - B. 72
 - C. 61
 - D. 63

Question ID : **630680436943**
Option 1 ID : **6306801705697**
Option 2 ID : **6306801705700**
Option 3 ID : **6306801705698**
Option 4 ID : **6306801705699**
Status : **Answered**
Chosen Option : **B**

Q.6 Which of the following is NOT a governing body of the internet?

- Ans
- A. Internet Research Task Force (IRTF)
 - B. Internet Engineering Task Force (IETF)
 - C. Internet Assigned Task Authority (IATF)
 - D. World Wide Web Consortium (W3C)

Question ID : 630680436946
Option 1 ID : 6306801705710
Option 2 ID : 6306801705709
Option 3 ID : 6306801705711
Option 4 ID : 6306801705712
Status : Answered
Chosen Option : D

Q.7 _____ is a collection of websites or webpages stored on web servers and connected to local computers through the internet.

- Ans
- A. TCP (Transmission Control Protocol)
 - B. URL (Uniform Resource Locator)
 - C. WWW (World Wide Web)
 - D. ISP (Internet Service Provider)

Question ID : 630680436944
Option 1 ID : 6306801705704
Option 2 ID : 6306801705703
Option 3 ID : 6306801705702
Option 4 ID : 6306801705701
Status : Answered
Chosen Option : C

Q.8 A _____ is a type of barcode that can be read easily by a digital device and which stores information as a series of pixels in a square-shaped grid.

- Ans
- A. Google Pay (GPAY)
 - B. One-Time Password (OTP)
 - C. Unified Payments Interface (UPI)
 - D. Quick Response (QR) code

Question ID : 630680436982
Option 1 ID : 6306801705856
Option 2 ID : 6306801705855
Option 3 ID : 6306801705853
Option 4 ID : 6306801705854
Status : Answered
Chosen Option : D

Q.9 Which of the following options is NOT associated with the 'Delete Cells' dialog box in MS-Word 2010?

- Ans
- A. Delete entire column
 - B. Shift cells up
 - C. Delete entire row
 - D. Split cells

Question ID : 630680436949

Option 1 ID : 6306801705724

Option 2 ID : 6306801705722

Option 3 ID : 6306801705723

Option 4 ID : 6306801705721

Status : Answered

Chosen Option : D

Q.10 जीमेल में, मेलबॉक्स में निम्नलिखित में से किस विकल्प का उपयोग नया ईमेल मैसेज बनाने के लिए किया जा सकता है?

- Ans
- A. सेटिंग्स (Settings)
 - B. ड्राफ्ट्स (Drafts)
 - C. कंपोज (Compose)
 - D. क्रिएट (Create)

Question ID : 630680436966

Option 1 ID : 6306801705792

Option 2 ID : 6306801705791

Option 3 ID : 6306801705789

Option 4 ID : 6306801705790

Status : Answered

Chosen Option : C

Q.11 Which of the following refers to high-capacity transmission technologies that transmit data, voice and video across long distances and at high speeds using fibre optic cables?

- Ans
- A. Dialup
 - B. Public switched telephone network
 - C. Broadband
 - D. Bandwidth

Question ID : 630680436947

Option 1 ID : 6306801705715

Option 2 ID : 6306801705716

Option 3 ID : 6306801705713

Option 4 ID : 6306801705714

Status : Answered

Chosen Option : C

Q.12 To edit the contents of a cell in MS-Excel 2010, one must select the cell that contains the data and then press the _____ key.

- Ans**
- A. F4
 - B. F2
 - C. F3
 - D. F5

Question ID : **630680436953**
Option 1 ID : **6306801705740**
Option 2 ID : **6306801705738**
Option 3 ID : **6306801705737**
Option 4 ID : **6306801705739**
Status : **Answered**
Chosen Option : **B**

Q.13 Which of the following features of MS-Excel 2010 is used to join selected cells into one larger cell and centres the content in the new cell?

- Ans**
- A. Format as table
 - B. Conditional formatting
 - C. Wrap Text
 - D. Merge & Center

Question ID : **630680436965**
Option 1 ID : **6306801705786**
Option 2 ID : **6306801705787**
Option 3 ID : **6306801705785**
Option 4 ID : **6306801705788**
Status : **Marked For Review**
Chosen Option : **D**

Q.14 In the context of creation of an email, you can use _____ to send an email carbon copy to multiple recipients; however, each recipient cannot see who is on the list of other recipients.

- Ans**
- A. Subject
 - B. Bcc
 - C. Add text
 - D. Cc

Question ID : **630680436967**
Option 1 ID : **6306801705793**
Option 2 ID : **6306801705795**
Option 3 ID : **6306801705796**
Option 4 ID : **6306801705794**
Status : **Answered**
Chosen Option : **B**

Q.15 Which of the following is NOT a type of background style that you can apply to a slide in MS-PowerPoint 2010?

- Ans
- A. Picture or texture fill
 - B. Background fill
 - C. Solid fill
 - D. Gradient fill

Question ID : 630680436970
Option 1 ID : 6306801705808
Option 2 ID : 6306801705806
Option 3 ID : 6306801705805
Option 4 ID : 6306801705807
Status : Answered
Chosen Option : C

Q.16 In IoT, a/an _____ is a device that converts energy into motion.

- Ans
- A. router
 - B. gateway
 - C. actuator
 - D. sensor

Question ID : 630680436979
Option 1 ID : 6306801705842
Option 2 ID : 6306801705843
Option 3 ID : 6306801705844
Option 4 ID : 6306801705841
Status : Not Answered
Chosen Option : --

Q.17 Which of the following determines the clarity and sharpness of a computer screen image?

- Ans
- A. View option
 - B. Resolution
 - C. Low fidelity
 - D. High fidelity

Question ID : 630680436962
Option 1 ID : 6306801705776
Option 2 ID : 6306801705775
Option 3 ID : 6306801705773
Option 4 ID : 6306801705774
Status : Answered
Chosen Option : B

Q.18 Almost every computer comes with a small amount of ROM containing _____.

- Ans
- A. freeware
 - B. boot firmware
 - C. utility software
 - D. shareware

Question ID : 630680436941
Option 1 ID : 6306801705689
Option 2 ID : 6306801705692
Option 3 ID : 6306801705691
Option 4 ID : 6306801705690
Status : Not Answered
Chosen Option : --

Q.19 The evolution of IOT started with the first connected network called _____.

- Ans
- A. ARPANET
 - B. TCP
 - C. IoT
 - D. SMTP

Question ID : 630680436976
Option 1 ID : 6306801705829
Option 2 ID : 6306801705830
Option 3 ID : 6306801705832
Option 4 ID : 6306801705831
Status : Answered
Chosen Option : A

Q.20 The 'Compare' function can be selected from the _____ tab in MS-PowerPoint 2010.

- Ans
- A. Review
 - B. Slide Show
 - C. Animations
 - D. Format

Question ID : 630680436973
Option 1 ID : 6306801705818
Option 2 ID : 6306801705819
Option 3 ID : 6306801705820
Option 4 ID : 6306801705817
Status : Answered
Chosen Option : A

Q.21 _____ is the process of arranging data in a definite sequence based on a criterion or criteria in MS-Excel 2010.

- Ans
- A. Saving
 - B. Sequencing
 - C. Sorting
 - D. Filtering

Question ID : 630680436955
Option 1 ID : 6306801705748
Option 2 ID : 6306801705747
Option 3 ID : 6306801705745
Option 4 ID : 6306801705746
Status : Answered
Chosen Option : C

Q.22 In MS-Word 2010, _____ means making changes to your text.

- Ans
- A. selecting
 - B. transferring
 - C. copying
 - D. editing

Question ID : 630680436951
Option 1 ID : 6306801705729
Option 2 ID : 6306801705732
Option 3 ID : 6306801705730
Option 4 ID : 6306801705731
Status : Answered
Chosen Option : D

Q.23 The Windows operating system was developed by _____.

- Ans
- A. Google
 - B. Microsoft
 - C. Apple
 - D. Windows

Question ID : 630680436942
Option 1 ID : 6306801705695
Option 2 ID : 6306801705696
Option 3 ID : 6306801705693
Option 4 ID : 6306801705694
Status : Answered
Chosen Option : B

Q.24 कंप्यूटर की डिलिजेंस (diligence) विशेषता लाखों कार्यों या गणनाओं को समान _____ और सटीकता (accuracy) के साथ करने की क्षमता को संदर्भित करती है।

- Ans
- A. गति (speed)
 - B. इच्छा (willingness)
 - C. संगतता (consistency)
 - D. क्षमता (capacity)

Question ID : 630680436938
Option 1 ID : 6306801705680
Option 2 ID : 6306801705677
Option 3 ID : 6306801705679
Option 4 ID : 6306801705678
Status : Answered
Chosen Option : C

Q.25 In IOT, a/an _____ is a device that detects or measures a specific physical quantity and converts it into another form, usually electrical pulses.

- Ans
- A. router
 - B. sensor
 - C. gateway
 - D. actuator

Question ID : 630680436978
Option 1 ID : 6306801705840
Option 2 ID : 6306801705837
Option 3 ID : 6306801705839
Option 4 ID : 6306801705838
Status : Not Answered
Chosen Option : --

Q.26 Which of the following is the hardware in a computing device where the operating system, application programs and data in current use are kept so they can be quickly reached by the device's processor?

- Ans
- A. RAM
 - B. Flash drive
 - C. CD-ROM
 - D. Hard disk

Question ID : 630680436936
Option 1 ID : 6306801705669
Option 2 ID : 6306801705671
Option 3 ID : 6306801705670
Option 4 ID : 6306801705672
Status : Answered
Chosen Option : B

Q.27 In MS-Word 2010, what is the text that appears above the normal line called?

- Ans
- A. Subscript
 - B. Formatting
 - C. Footing
 - D. Superscript

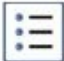
Question ID : 630680436952
Option 1 ID : 6306801705733
Option 2 ID : 6306801705735
Option 3 ID : 6306801705736
Option 4 ID : 6306801705734
Status : Answered
Chosen Option : D

Q.28 _____ is a string of characters or numbers automatically generated to be used for one single login attempt.

- Ans
- A. Unified Payments Interface (UPI)
 - B. One-Time Password (OTP)
 - C. Google Pay (GPAY)
 - D. Bharat Interface for Money (BHIM)

Question ID : 630680436981
Option 1 ID : 6306801705852
Option 2 ID : 6306801705850
Option 3 ID : 6306801705849
Option 4 ID : 6306801705851
Status : Answered
Chosen Option : B

Q.29

In MS-Word 2010,  represents:

- Ans
- A. characters
 - B. shading
 - C. numbers
 - D. bullets

Question ID : 630680436948
Option 1 ID : 6306801705718
Option 2 ID : 6306801705720
Option 3 ID : 6306801705717
Option 4 ID : 6306801705719
Status : Answered
Chosen Option : D

Q.30 Which of the following refers to learning with the aid of technology that enables people to learn anytime or anywhere?

- Ans**
- A. E-banking
 - B. E-learning
 - C. E-commerce
 - D. Email

Question ID : **630680436945**
Option 1 ID : **6306801705708**
Option 2 ID : **6306801705705**
Option 3 ID : **6306801705707**
Option 4 ID : **6306801705706**
Status : **Answered**
Chosen Option : **B**

Q.31 Which of the following is NOT a valid colour setting option under File → Print in MS-PowerPoint 2010?

- Ans**
- A. Pure black and white
 - B. Color
 - C. Grayscale
 - D. Multiplex color

Question ID : **630680436935**
Option 1 ID : **6306801705668**
Option 2 ID : **6306801705665**
Option 3 ID : **6306801705666**
Option 4 ID : **6306801705667**
Status : **Not Answered**
Chosen Option : **--**

Q.32 The WinZip software is an example of _____ software.

- Ans**
- A. device driver
 - B. shareware
 - C. programming
 - D. open source

Question ID : **630680436940**
Option 1 ID : **6306801705687**
Option 2 ID : **6306801705686**
Option 3 ID : **6306801705685**
Option 4 ID : **6306801705688**
Status : **Not Answered**
Chosen Option : **--**

Q.33 What is the result of '=2+2/2*2' in MS-Excel 2010?

- Ans
- A. 8
 - B. 6
 - C. 4
 - D. 2

Question ID : 630680436959
Option 1 ID : 6306801705764
Option 2 ID : 6306801705763
Option 3 ID : 6306801705762
Option 4 ID : 6306801705761
Status : Answered
Chosen Option : C

Q.34 Which of the following options is a blend of multiple colours in MS-PowerPoint 2010?

- Ans
- A. Solid fill
 - B. Picture or texture fill
 - C. Gradient fill
 - D. Auto fill

Question ID : 630680436971
Option 1 ID : 6306801705809
Option 2 ID : 6306801705812
Option 3 ID : 6306801705811
Option 4 ID : 6306801705810
Status : Not Answered
Chosen Option : --

Q.35 The 'Wipe' effect in MS-PowerPoint 2010 can be applied to a slide from the _____ tab.

- Ans
- A. Transitions
 - B. Design
 - C. Review
 - D. Animations

Question ID : 630680436972
Option 1 ID : 6306801705816
Option 2 ID : 6306801705814
Option 3 ID : 6306801705813
Option 4 ID : 6306801705815
Status : Marked For Review
Chosen Option : A

Q.36 Which of the following option is NOT valid when forwarding email messages in Gmail?

- Ans** A. Forward to all
 B. Reply
 C. Reply to all
 D. Forward

Question ID : 630680436975
Option 1 ID : 6306801705828
Option 2 ID : 6306801705825
Option 3 ID : 6306801705826
Option 4 ID : 6306801705827
Status : Marked For Review
Chosen Option : C

Q.37 Which of the following options is used to turn off the AutoFit option that automatically adjusts the column width of a table in MS-Word 2010?

- Ans** A. AutoFit Contents
 B. AutoFit Window
 C. Fixed Column Width
 D. Fixed Selection Pane

Question ID : 630680436950
Option 1 ID : 6306801705726
Option 2 ID : 6306801705728
Option 3 ID : 6306801705727
Option 4 ID : 6306801705725
Status : Not Answered
Chosen Option : --

Q.38 Which of the following features is used if you want a table's cells to automatically expand to fit the text inside them in MS-Word 2010?

- Ans** A. Table size
 B. AutoFormat
 C. AutoFit
 D. Table content

Question ID : 630680436964
Option 1 ID : 6306801705781
Option 2 ID : 6306801705782
Option 3 ID : 6306801705784
Option 4 ID : 6306801705783
Status : Marked For Review
Chosen Option : D

Q.39 By default, the _____ tab is selected when you open MS-PowerPoint 2010.

- Ans**
- A. Insert
 - B. Design
 - C. Animations
 - D. Home

Question ID : 630680436969
Option 1 ID : 6306801705802
Option 2 ID : 6306801705803
Option 3 ID : 6306801705804
Option 4 ID : 6306801705801
Status : Answered
Chosen Option : D

Q.40 A/An _____ is a software that controls the system's hardware and interacts with the user and application software.

- Ans**
- A. booting
 - B. operating system
 - C. utility
 - D. web browser

Question ID : 630680436961
Option 1 ID : 6306801705770
Option 2 ID : 6306801705769
Option 3 ID : 6306801705772
Option 4 ID : 6306801705771
Status : Answered
Chosen Option : B

Q.41 Which of the following buttons on a mouse is/are typically used to provide additional information and/or properties of an item selected?

- i. Right
- ii. Left
- iii. Scroll

- Ans**
- A. Both i and ii
 - B. Only ii
 - C. Only iii
 - D. Only i

Question ID : 630680436937
Option 1 ID : 6306801705676
Option 2 ID : 6306801705674
Option 3 ID : 6306801705675
Option 4 ID : 6306801705673
Status : Answered
Chosen Option : D

Q.42 Which of the following views is the default view in MS-PowerPoint 2010?

- Ans**
- A. Outline view
 - B. Reading view
 - C. Slide Sorter view
 - D. Normal view

Question ID : 630680436968

Option 1 ID : 6306801705798

Option 2 ID : 6306801705800

Option 3 ID : 6306801705799

Option 4 ID : 6306801705797

Status : Answered

Chosen Option : D

Q.43 Match the columns.

LIST-1	LIST-2
I) Web browser	A) .org
II) Domain name	B) URL
III) Webpage	C) Mosaic
IV) Webpage address	D) A single hypertext document

- Ans**
- A. I) – C), II) – A), III) – D), IV) – B)
 - B. I) – D), II) – A), III) – B), IV) – C)
 - C. I) – C), II) – B), III) – D), IV) – A)
 - D. I) – D), II) – B), III) – A), IV) – C)

Question ID : 630680436934

Option 1 ID : 6306801705663

Option 2 ID : 6306801705664

Option 3 ID : 6306801705662

Option 4 ID : 6306801705661

Status : Answered

Chosen Option : A

Q.44 Which of the following is a Unix-like, open source and community-developed operating system (OS) for computers?

- Ans**
- A. Linux
 - B. Android
 - C. Windows
 - D. Mac OS

Question ID : 630680436974

Option 1 ID : 6306801705822

Option 2 ID : 6306801705823

Option 3 ID : 6306801705821

Option 4 ID : 6306801705824

Status : Answered

Chosen Option : A

Q.45 What is the full form of M2M?

- Ans
- A. Mechanism to Machine
 - B. Machine to Machine
 - C. Multiple to Multiple
 - D. Machine to Multiple

Question ID : 630680436977
Option 1 ID : 6306801705836
Option 2 ID : 6306801705835
Option 3 ID : 6306801705834
Option 4 ID : 6306801705833
Status : Marked For Review
Chosen Option : B

Q.46 What is the full form of UPI?

- Ans
- A. Unified Permanent Interface
 - B. Unified Payments Internet
 - C. Unified Payments Interface
 - D. Universal Payments Interface

Question ID : 630680436980
Option 1 ID : 6306801705845
Option 2 ID : 6306801705846
Option 3 ID : 6306801705847
Option 4 ID : 6306801705848
Status : Answered
Chosen Option : C

Q.47 Which of the following keyboard shortcuts is used to apply a filter in MS-Excel 2010?

- Ans
- A. Ctrl + Shift + K
 - B. Ctrl + Shift + C
 - C. Ctrl + Shift + L
 - D. Ctrl + Shift + M

Question ID : 630680436954
Option 1 ID : 6306801705743
Option 2 ID : 6306801705742
Option 3 ID : 6306801705741
Option 4 ID : 6306801705744
Status : Answered
Chosen Option : C

Q.48 Which of the following is NOT a type of touchscreen monitor?

- Ans
- A. Resistive
 - B. Gas Plasma
 - C. Surface Acoustic Wave
 - D. Capacitive

Question ID : 630680436933
Option 1 ID : 6306801705658
Option 2 ID : 6306801705660
Option 3 ID : 6306801705659
Option 4 ID : 6306801705657
Status : Not Answered
Chosen Option : --

Q.49 The speed at which an instruction is executed is related directly to a computer's built-in _____.

- Ans
- A. clock speed
 - B. execution speed
 - C. spin rate
 - D. latency speed

Question ID : 630680436960
Option 1 ID : 6306801705767
Option 2 ID : 6306801705768
Option 3 ID : 6306801705765
Option 4 ID : 6306801705766
Status : Answered
Chosen Option : B

Q.50 Which of the following is used as a text function in MS-Excel 2010?

- Ans
- A. Ceiling()
 - B. Trim()
 - C. Rate()
 - D. Date()

Question ID : 630680436958
Option 1 ID : 6306801705759
Option 2 ID : 6306801705760
Option 3 ID : 6306801705758
Option 4 ID : 6306801705757
Status : Answered
Chosen Option : B

Section : General Study & Logical Reasoning

Q.1 The WTO's 12th Ministerial Conference (MC12) took place from 12 to 17 June 2022 at WTO headquarters in which of the following places?

- Ans**
- A. Melbourne
 - B. Paris
 - C. Geneva
 - D. New York

Question ID : **630680436988**
Option 1 ID : **6306801705877**
Option 2 ID : **6306801705878**
Option 3 ID : **6306801705879**
Option 4 ID : **6306801705880**
Status : **Answered**
Chosen Option : **C**

Q.2 The Autobiography of an Unknown Indian was written by _____.

- Ans**
- A. Amitav Ghosh
 - B. Aravind Adiga
 - C. Arundhati Roy
 - D. Nirad C. Chaudhuri

Question ID : **630680436985**
Option 1 ID : **6306801705868**
Option 2 ID : **6306801705866**
Option 3 ID : **6306801705865**
Option 4 ID : **6306801705867**
Status : **Answered**
Chosen Option : **D**

Q.3 Who was the first Lieutenant Governor of Delhi?

- Ans**
- A. Aditya Nath Jha
 - B. Krishan Chand
 - C. Baleshwar Prasad
 - D. M.C. Pimputkar

Question ID : **630680436984**
Option 1 ID : **6306801705864**
Option 2 ID : **6306801705863**
Option 3 ID : **6306801705862**
Option 4 ID : **6306801705861**
Status : **Not Answered**
Chosen Option : **--**

Q.4 Pointing to a photograph, a boy Sanjay said, "He is the son of the only son of my mother's father." How is Sanjay related to that person in the photograph?

- Ans** A. Son of paternal aunt
 B. Son of Maternal uncle
 C. Son of maternal aunt
 D. Paternal uncle

Question ID : **630680436996**
Option 1 ID : **6306801705910**
Option 2 ID : **6306801705911**
Option 3 ID : **6306801705909**
Option 4 ID : **6306801705912**
Status : **Answered**
Chosen Option : **B**

Q.5 When was Tenzing Norgay National Adventure Award introduced?

- Ans** A. 1997
 B. 1995
 C. 1996
 D. 1994

Question ID : **630680436989**
Option 1 ID : **6306801705884**
Option 2 ID : **6306801705882**
Option 3 ID : **6306801705883**
Option 4 ID : **6306801705881**
Status : **Not Answered**
Chosen Option : **--**

Q.6 Infrastructure Leasing & Financial Services Limited is an Indian state-funded infrastructure development and finance company that was established in which year?

- Ans** A. 1989
 B. 1988
 C. 1990
 D. 1987

Question ID : **630680436987**
Option 1 ID : **6306801705875**
Option 2 ID : **6306801705874**
Option 3 ID : **6306801705876**
Option 4 ID : **6306801705873**
Status : **Not Answered**
Chosen Option : **--**

Q.7 In the 2020 Bihar Legislative Assembly election which party got the maximum seats?

- Ans**
- A. Rashtriya Janata Dal
 - B. Bharatiya Janata Party
 - C. Janata Dal (United)
 - D. Bahujan Samaj Party

Question ID : **630680436992**
Option 1 ID : **6306801705893**
Option 2 ID : **6306801705894**
Option 3 ID : **6306801705895**
Option 4 ID : **6306801705896**
Status : **Answered**
Chosen Option : **A**

Q.8 Select the number from among the given options that can replace the question mark (?) in the following series.

653, 778, 842, 869, ?

- Ans**
- A. 904
 - B. 877
 - C. 887
 - D. 907

Question ID : **630680437000**
Option 1 ID : **6306801705926**
Option 2 ID : **6306801705927**
Option 3 ID : **6306801705925**
Option 4 ID : **6306801705928**
Status : **Answered**
Chosen Option : **B**

Q.9 Select the number from among the given options that can replace the question mark (?) in the following series.

625, 746, 846, 927, ?

- Ans**
- A. 991
 - B. 981
 - C. 967
 - D. 1007

Question ID : **630680437001**
Option 1 ID : **6306801705932**
Option 2 ID : **6306801705931**
Option 3 ID : **6306801705930**
Option 4 ID : **6306801705929**
Status : **Answered**
Chosen Option : **A**

Q.10 Gandhiji gave a call to Do or Die in his Quit India speech that he delivered in which of the following present cities?

- Ans**
- A. Pune
 - B. Calcutta
 - C. Mumbai
 - D. Nagpur

Question ID : **630680436983**
Option 1 ID : **6306801705860**
Option 2 ID : **6306801705859**
Option 3 ID : **6306801705857**
Option 4 ID : **6306801705858**
Status : **Answered**
Chosen Option : **C**

Q.11 Select the option that is related to the third letter-cluster in the same way as the second letter-cluster is related to the first letter-cluster.

SOLDIER : IERDSOL :: ARMOURY : ?

- Ans**
- A. URYAORM
 - B. UROYARM
 - C. URYORAM
 - D. URYOARM

Question ID : **630680436997**
Option 1 ID : **6306801705915**
Option 2 ID : **6306801705916**
Option 3 ID : **6306801705914**
Option 4 ID : **6306801705913**
Status : **Answered**
Chosen Option : **D**

Q.12 In a certain code language, JACKAL is coded as KALJAC. How will ASYLUM be coded in that language?

- Ans**
- A. LUMSAY
 - B. LUMAYS
 - C. LUMASY
 - D. LUAMSY

Question ID : **630680436994**
Option 1 ID : **6306801705902**
Option 2 ID : **6306801705904**
Option 3 ID : **6306801705903**
Option 4 ID : **6306801705901**
Status : **Answered**
Chosen Option : **C**

Q.13 Aditi Ashok is mainly known for which of the following sports?

- Ans
- A. Tennis
 - B. Athletics
 - C. Table Tennis
 - D. Golf

Question ID : 630680436990
Option 1 ID : 6306801705887
Option 2 ID : 6306801705888
Option 3 ID : 6306801705885
Option 4 ID : 6306801705886
Status : Answered
Chosen Option : C

Q.14 Chakyar Koothu dance is mainly performed in which of the following states of India?

- Ans
- A. Odisha
 - B. Maharashtra
 - C. Kerala
 - D. Telangana

Question ID : 630680436986
Option 1 ID : 6306801705870
Option 2 ID : 6306801705871
Option 3 ID : 6306801705869
Option 4 ID : 6306801705872
Status : Not Answered
Chosen Option : --

Q.15 Which of the following article of the Indian constitution deals with Equality of opportunity in matters of public employment?

- Ans
- A. Article 11
 - B. Article 16
 - C. Article 4
 - D. Article 21

Question ID : 630680436991
Option 1 ID : 6306801705890
Option 2 ID : 6306801705889
Option 3 ID : 6306801705891
Option 4 ID : 6306801705892
Status : Answered
Chosen Option : B

Q.16 Select the number from among the given options that can replace the question mark (?) in the following series.

67, 93, 130, 157, ?

- Ans**
- A. 204
 - B. 195
 - C. 187
 - D. 205

Question ID : **630680436999**
Option 1 ID : **6306801705924**
Option 2 ID : **6306801705921**
Option 3 ID : **6306801705922**
Option 4 ID : **6306801705923**
Status : **Answered**
Chosen Option : **B**

Q.17 Select the letter-cluster from among the given options that can replace the question mark (?) in the following series.

FFC, KDY, PXU, URQ, ?

- Ans**
- A. ZLN
 - B. ZLM
 - C. ALM
 - D. ZMM

Question ID : **630680436993**
Option 1 ID : **6306801705900**
Option 2 ID : **6306801705899**
Option 3 ID : **6306801705898**
Option 4 ID : **6306801705897**
Status : **Answered**
Chosen Option : **B**

Q.18 Four letter-cluster pairs have been given, out of which three are alike in some manner and one is different. Select the one that is different.

- Ans**
- A. MQ-RV
 - B. CG-HK
 - C. SW-XB
 - D. GK-LP

Question ID : **630680436998**
Option 1 ID : **6306801705919**
Option 2 ID : **6306801705918**
Option 3 ID : **6306801705920**
Option 4 ID : **6306801705917**
Status : **Answered**
Chosen Option : **B**

Q.19 Which two signs should be interchanged to make the following equation correct?

$$80 \div 16 - 89 + 56 \times 9 = 492$$

- Ans
- A. \div and \times
 - B. \times and $-$
 - C. \times and $+$
 - D. \div and $+$

Question ID : 630680437002

Option 1 ID : 6306801705933

Option 2 ID : 6306801705934

Option 3 ID : 6306801705935

Option 4 ID : 6306801705936

Status : Answered

Chosen Option : B

Q.20 In a certain code language, CATTLE is coded as FMUUBD. How will JINGLE be coded in that language?

- Ans
- A. FMHOIK
 - B. FMHOJK
 - C. FMJOJK
 - D. FMHOKK

Question ID : 630680436995

Option 1 ID : 6306801705907

Option 2 ID : 6306801705905

Option 3 ID : 6306801705908

Option 4 ID : 6306801705906

Status : Answered

Chosen Option : B

Section : General Hindi

Q.1 समाप्तिबोधक क्रिया शब्द से दिया गया वाक्य पूर्ण करें-
वह भी यह दृश्य देख _____।

- Ans
- A. चुका है।
 - B. लेगा।
 - C. रहा है।
 - D. सकता है।

Question ID : 630680437008

Option 1 ID : 6306801705958

Option 2 ID : 6306801705960

Option 3 ID : 6306801705959

Option 4 ID : 6306801705957

Status : Answered

Chosen Option : A

Q.2 निम्न में से कौन-सा वाक्य हेतुहेतुमद्भूत काल की दृष्टि से उचित वाक्य है?

- Ans
- A. नीट की परीक्षा पास करके आशा डॉक्टर बन जाती।
 - B. आशा डॉक्टर बन गई होती यदि नीट की परीक्षा पास हो जाती।
 - C. डॉक्टर बनने के लिए आशा को नीट की परीक्षा पास करनी होगी।
 - D. आशा नीट की परीक्षा पास कर लेती तो डॉक्टर बन जाती।

Question ID : 630680437005

Option 1 ID : 6306801705947

Option 2 ID : 6306801705945

Option 3 ID : 6306801705948

Option 4 ID : 6306801705946

Status : Answered

Chosen Option : D

Q.3 निम्न में से किस वाक्य में विशेषण शब्द का उचित प्रयोग हुआ है?

- Ans
- A. प्रत्येक तीन घंटे पर यहाँ से एक गाड़ी खुलती है।
 - B. प्रत्येक कई घंटों पर यहाँ से एक गाड़ी खुलती है।
 - C. प्रत्येक चंद घंटों पर यहाँ से एक गाड़ी खुलती है।
 - D. प्रत्येक कुछ घंटों पर यहाँ से एक गाड़ी खुलती है।

Question ID : 630680437009

Option 1 ID : 6306801705964

Option 2 ID : 6306801705963

Option 3 ID : 6306801705962

Option 4 ID : 6306801705961

Status : Answered

Chosen Option : A

Q.4 निम्न में से 'याचना' का पर्याय है:

- Ans
- A. स्वीकृति
 - B. इतर
 - C. अभ्यर्थना
 - D. कयास

Question ID : 630680437012

Option 1 ID : 6306801705974

Option 2 ID : 6306801705973

Option 3 ID : 6306801705975

Option 4 ID : 6306801705976

Status : Answered

Chosen Option : C

Q.5 निम्न में से किस वाक्य में कारक चिह्न का अशुद्ध प्रयोग हुआ है?

- Ans
- A. उसके हाथ से कलम गिर गया।
 - B. वह अभी तक हैदराबाद से नहीं लौटा है।
 - C. नूतन को गंदगी से बहुत घृणा है।
 - D. हमें अपने पड़ोसी पर ईर्ष्या नहीं करनी चाहिए।

Question ID : 630680437007
 Option 1 ID : 6306801705956
 Option 2 ID : 6306801705953
 Option 3 ID : 6306801705954
 Option 4 ID : 6306801705955
 Status : Answered
 Chosen Option : D

Q.6 निम्न में से कौन-सा वाक्य सामान्य भविष्य काल की दृष्टि से उचित वाक्य है?

- Ans
- A. आकाश कल प्रातः काल वायुयान से मुंबई जा रहा है।
 - B. आकाश कल प्रातः काल वायुयान से मुंबई जा चुका होगा।
 - C. आकाश कल प्रातः काल वायुयान से मुंबई जाएगा।
 - D. आकाश कल प्रातः काल वायुयान से मुंबई जा सकता है।

Question ID : 630680437004
 Option 1 ID : 6306801705942
 Option 2 ID : 6306801705944
 Option 3 ID : 6306801705943
 Option 4 ID : 6306801705941
 Status : Answered
 Chosen Option : C

Q.7 रेखांकित शब्द के विलोम से वाक्य पूर्ण करें-

ग्राम्य लोग सहज और सरल होते हैं जबकि _____ तेज़ तर्रार।

- Ans
- A. ज्ञानी
 - B. सभ्य
 - C. नागर
 - D. दुर्जन

Question ID : 630680437011
 Option 1 ID : 6306801705972
 Option 2 ID : 6306801705970
 Option 3 ID : 6306801705969
 Option 4 ID : 6306801705971
 Status : Answered
 Chosen Option : C

Q.8 निम्न में से कौन-सा वाक्य सामान्य वर्तमान काल की दृष्टि से उचित वाक्य है?

Ans A.

दिन-रात परिश्रम करने वाले छात्र ही परीक्षा में सफल हो रहे हैं।

B.

दिन-रात परिश्रम करने वाले छात्र ही परीक्षा में सफल हो पाते हैं।

C.

दिन-रात परिश्रम करने वाले छात्र ही परीक्षा में सफल हो पायेंगे।

D.

दिन-रात परिश्रम करने वाले छात्र ही परीक्षा में सफल हो चुके हैं।

Question ID : 630680437006

Option 1 ID : 6306801705950

Option 2 ID : 6306801705949

Option 3 ID : 6306801705952

Option 4 ID : 6306801705951

Status : Answered

Chosen Option : B

Q.9 'अंगारों पर पैर रखना' मुहावरे का अर्थ है?

Ans

A. खतरे का काम करना

B. अपना अंग जलाना

C. कड़वी बात करना

D. क्रोध से अभिभूत होना

Question ID : 630680437010

Option 1 ID : 6306801705965

Option 2 ID : 6306801705966

Option 3 ID : 6306801705968

Option 4 ID : 6306801705967

Status : Answered

Chosen Option : A

Q.10 वाक्य विन्यास की दृष्टि से शुद्ध वाक्य का चयन कीजिए:

Ans

A. कोई उपहार नहीं है योग्य मेरे पास तुम्हें देने।

B. मेरे पास देने योग्य तुम्हें कोई उपहार नहीं है।

C. मेरे पास तुम्हें देने योग्य कोई उपहार नहीं है।

D. तुम्हें देने योग्य उपहार नहीं है मेरे पास कोई।

Question ID : 630680437003

Option 1 ID : 6306801705937

Option 2 ID : 6306801705940

Option 3 ID : 6306801705938

Option 4 ID : 6306801705939

Status : Answered

Chosen Option : C

Comprehension:

प्रश्न के उत्तर दिए गए गद्यांश के आधार पर दीजिए।

जून 1914 में पहला विश्वयुद्ध फूट पड़ा। इसमें एक ओर ब्रिटेन, फ्रांस, इटली, रूस और जापान थे, और अमरीका भी बाद में उनसे आ मिला, और दूसरी ओर जर्मनी, आस्ट्रिया-हंगरी और तुर्की थे। आरंभ में लोकमान्य तिलक समेत भारतीय राष्ट्रवादी नेताओं ने सरकार के युद्ध प्रयासों में सहयोग का निश्चय किया। यह निश्चय इस ग़लत धारणा पर आधारित था कि कृतज्ञ होकर ब्रिटेन भारत की वफादारी का पुरस्कार देगा और भारत स्वशासन की ओर एक लम्बी छलांग लगाने में समर्थ होगा। उन्होंने इस बात को पूरी तरह नहीं समझा कि प्रथम विश्वयुद्ध की विभिन्न शक्तियाँ अपने उपनिवेशों को सुरक्षित रखने के लिए ही लड़ रही थीं। सरकार तब तक वास्तविक अधिकार नहीं देगी जब तक कि उसके ऊपर जनता का दबाव न डाला जाए। इसलिए एक वास्तविक राजनीतिक जन-आंदोलन आवश्यक था। युद्ध के कारण भारत के निर्धन वर्गों को बदहाली और भयानक हुई। उनके लिए युद्ध का मतलब था करों का भारी बोझ और रोज़मर्रा की ज़रूरतों का लगातार महुँगा होना। 1916-17 दो होमरूल लीगों की स्थापना हुई। इनमें एक के नेता लोकमान्य तिलक थे, तो दूसरा श्रीमती ऐनी बेसेंट और एस. सुब्रामन्य अय्यर के नेतृत्व में था। इन दोनों ने आपसी सहयोग से पूरे देश में इस माँग को प्रचारित किया कि युद्ध के बाद भारत को होमरूल या स्वशासन दिया जाए। युद्ध के इस काल में क्रांतिकारी आंदोलन का भी विकास हुआ। आतंकवादी संगठन बंगाल और महाराष्ट्र से लेकर पूरे उत्तरी भारत तक फैल गए। अमरीका और कनाडा में बसे भारतीय क्रांतिकारियों ने 1913 में गदर पार्टी की स्थापना की। इसके अधिकांश सदस्य पंजाब के सिख किसान और भूतपूर्व सैनिक थे जो वहाँ रोज़ी-रोटी की तलाश में गए थे और जिनको वहाँ खुले नस्ली और आर्थिक भेदभाव का सामना करना पड़ता था।

SubQuestion No : 11

Q.11 गद्यांश से निष्कर्ष नहीं निकलता है कि:

Ans

✓ A. क्रांतिकारी तथा आतंकवादी संगठनों ने ब्रिटेन के शत्रु देशों के साथ मिलकर उसके विरुद्ध युद्ध लड़ा।

✗ B. प्रथम विश्वयुद्ध ने भारतीय जनता को तबाही के गर्त में धकेल दिया।

✗ C. देश की जनता में स्वशासन के प्रति होमरुल लीगों द्वारा जागृति उत्पन्न की जा रही थी।

✗ D. युद्ध के काल का लाभ उठाते हुए विदेशों में क्रांतिकारी संगठन बनने लगे थे।

Question ID : 630680437018

Option 1 ID : 6306801705996

Option 2 ID : 6306801705993

Option 3 ID : 6306801705995

Option 4 ID : 6306801705994

Status : Answered

Chosen Option : D

WWW.ALLEXAMREVIEW.COM

Comprehension:

प्रश्न के उत्तर दिए गए गद्यांश के आधार पर दीजिए।

जून 1914 में पहला विश्वयुद्ध फूट पड़ा। इसमें एक ओर ब्रिटेन, फ्रांस, इटली, रूस और जापान थे, और अमरीका भी बाद में उनसे आ मिला, और दूसरी ओर जर्मनी, आस्ट्रिया-हंगरी और तुर्की थे। आरंभ में लोकमान्य तिलक समेत भारतीय राष्ट्रवादी नेताओं ने सरकार के युद्ध प्रयासों में सहयोग का निश्चय किया। यह निश्चय इस ग़लत धारणा पर आधारित था कि कृतज्ञ होकर ब्रिटेन भारत की वफादारी का पुरस्कार देगा और भारत स्वशासन की ओर एक लम्बी छलांग लगाने में समर्थ होगा। उन्होंने इस बात को पूरी तरह नहीं समझा कि प्रथम विश्वयुद्ध की विभिन्न शक्तियाँ अपने उपनिवेशों को सुरक्षित रखने के लिए ही लड़ रही थीं। सरकार तब तक वास्तविक अधिकार नहीं देगी जब तक कि उसके ऊपर जनता का दबाव न डाला जाए। इसलिए एक वास्तविक राजनीतिक जन-आंदोलन आवश्यक था। युद्ध के कारण भारत के निर्धन वर्गों को बदहाली और भयानक हुई। उनके लिए युद्ध का मतलब था करों का भारी बोझ और रोज़मर्रा की ज़रूरतों का लगातार महुँगा होना। 1916-17 दो होमरूल लीगों की स्थापना हुई। इनमें एक के नेता लोकमान्य तिलक थे, तो दूसरा श्रीमती ऐनी बेसेंट और एस. सुब्रामन्य अय्यर के नेतृत्व में था। इन दोनों ने आपसी सहयोग से पूरे देश में इस माँग को प्रचारित किया कि युद्ध के बाद भारत को होमरूल या स्वशासन दिया जाए। युद्ध के इस काल में क्रांतिकारी आंदोलन का भी विकास हुआ। आतंकवादी संगठन बंगाल और महाराष्ट्र से लेकर पूरे उत्तरी भारत तक फैल गए। अमरीका और कनाडा में बसे भारतीय क्रांतिकारियों ने 1913 में गदर पार्टी की स्थापना की। इसके अधिकांश सदस्य पंजाब के सिख किसान और भूतपूर्व सैनिक थे जो वहाँ रोज़ी-रोटी की तलाश में गए थे और जिनको वहाँ खुले नस्ली और आर्थिक भेदभाव का सामना करना पड़ता था।

SubQuestion No : 12

Q.12 प्रारम्भ में लोकमान्य तिलक समेत भारत के राष्ट्रवादी नेताओं ने ब्रिटेन की विश्वयुद्ध में सहायता करने का निर्णय लिया क्योंकि?

Ans

- ✓ A. उन्हें आशा थी कि ऐसा करने से कृतज्ञ ब्रिटेन उन्हें स्वशासन प्रदान कर देगा।
- ✗ B. वह ब्रिटेन के सुप्रशासन का कर्ज उतारना चाहते थे।
- ✗ C. वह ब्रिटेन की सहायता करना चाहते थे।
- ✗ D. वह युद्ध में भाग लेकर युद्ध से मिलने वाले लाभ का भागीदार होना चाहते थे।

Question ID : 630680437016

Option 1 ID : 6306801705988

Option 2 ID : 6306801705986

Option 3 ID : 6306801705985

Option 4 ID : 6306801705987

Status : Answered

Chosen Option : A

WWW.ALLEXAMREVIEW.COM

Comprehension:

प्रश्न के उत्तर दिए गए गद्यांश के आधार पर दीजिए।

जून 1914 में पहला विश्वयुद्ध फूट पड़ा। इसमें एक ओर ब्रिटेन, फ्रांस, इटली, रूस और जापान थे, और अमरीका भी बाद में उनसे आ मिला, और दूसरी ओर जर्मनी, आस्ट्रिया-हंगरी और तुर्की थे। आरंभ में लोकमान्य तिलक समेत भारतीय राष्ट्रवादी नेताओं ने सरकार के युद्ध प्रयासों में सहयोग का निश्चय किया। यह निश्चय इस ग़लत धारणा पर आधारित था कि कृतज्ञ होकर ब्रिटेन भारत की वफादारी का पुरस्कार देगा और भारत स्वशासन की ओर एक लम्बी छलांग लगाने में समर्थ होगा। उन्होंने इस बात को पूरी तरह नहीं समझा कि प्रथम विश्वयुद्ध की विभिन्न शक्तियाँ अपने उपनिवेशों को सुरक्षित रखने के लिए ही लड़ रही थीं। सरकार तब तक वास्तविक अधिकार नहीं देगी जब तक कि उसके ऊपर जनता का दबाव न डाला जाए। इसलिए एक वास्तविक राजनीतिक जन-आंदोलन आवश्यक था। युद्ध के कारण भारत के निर्धन वर्गों को बदहाली और भयानक हुई। उनके लिए युद्ध का मतलब था करों का भारी बोझ और रोज़मर्रा की ज़रूरतों का लगातार महुँगा होना। 1916-17 दो होमरूल लीगों की स्थापना हुई। इनमें एक के नेता लोकमान्य तिलक थे, तो दूसरा श्रीमती ऐनी बेसेंट और एस. सुब्रामन्य अय्यर के नेतृत्व में था। इन दोनों ने आपसी सहयोग से पूरे देश में इस माँग को प्रचारित किया कि युद्ध के बाद भारत को होमरूल या स्वशासन दिया जाए। युद्ध के इस काल में क्रांतिकारी आंदोलन का भी विकास हुआ। आतंकवादी संगठन बंगाल और महाराष्ट्र से लेकर पूरे उत्तरी भारत तक फैल गए। अमरीका और कनाडा में बसे भारतीय क्रांतिकारियों ने 1913 में गदर पार्टी की स्थापना की। इसके अधिकांश सदस्य पंजाब के सिख किसान और भूतपूर्व सैनिक थे जो वहाँ रोज़ी-रोटी की तलाश में गए थे और जिनको वहाँ खुले नस्ली और आर्थिक भेदभाव का सामना करना पड़ता था।

SubQuestion No : 13

Q.13 होमरूल लीग आंदोलन का उद्देश्य था-

Ans

✗ A. जनता को क्रांतिकारी आंदोलन के लिए तैयार करना।

✗ B. सेना के लिए रंगरूट तथा आवश्यक सामान जुटाना।

✓ C.

युद्ध के पश्चात स्वशासन की प्राप्ति के लिए जनता को जागरूक करना।

✗ D. जनता को युद्ध में ब्रिटेन की सहायता के लिए उकसाना।

Question ID : 630680437017

Option 1 ID : 6306801705992

Option 2 ID : 6306801705989

Option 3 ID : 6306801705991

Option 4 ID : 6306801705990

Status : Answered

Chosen Option : C

WWW.ALLEXAMREVIEW.COM

Comprehension:

प्रश्न के उत्तर दिए गए गद्यांश के आधार पर दीजिए।

जून 1914 में पहला विश्वयुद्ध फूट पड़ा। इसमें एक ओर ब्रिटेन, फ्रांस, इटली, रूस और जापान थे, और अमरीका भी बाद में उनसे आ मिला, और दूसरी ओर जर्मनी, आस्ट्रिया-हंगरी और तुर्की थे। आरंभ में लोकमान्य तिलक समेत भारतीय राष्ट्रवादी नेताओं ने सरकार के युद्ध प्रयासों में सहयोग का निश्चय किया। यह निश्चय इस ग़लत धारणा पर आधारित था कि कृतज्ञ होकर ब्रिटेन भारत की वफादारी का पुरस्कार देगा और भारत स्वशासन की ओर एक लम्बी छलांग लगाने में समर्थ होगा। उन्होंने इस बात को पूरी तरह नहीं समझा कि प्रथम विश्वयुद्ध की विभिन्न शक्तियाँ अपने उपनिवेशों को सुरक्षित रखने के लिए ही लड़ रही थीं। सरकार तब तक वास्तविक अधिकार नहीं देगी जब तक कि उसके ऊपर जनता का दबाव न डाला जाए। इसलिए एक वास्तविक राजनीतिक जन-आंदोलन आवश्यक था। युद्ध के कारण भारत के निर्धन वर्गों को बदहाली और भयानक हुई। उनके लिए युद्ध का मतलब था करों का भारी बोझ और रोज़मर्रा की ज़रूरतों का लगातार महुँगा होना। 1916-17 दो होमरूल लीगों की स्थापना हुई। इनमें एक के नेता लोकमान्य तिलक थे, तो दूसरा श्रीमती ऐनी बेसेंट और एस. सुब्रामन्य अय्यर के नेतृत्व में था। इन दोनों ने आपसी सहयोग से पूरे देश में इस माँग को प्रचारित किया कि युद्ध के बाद भारत को होमरूल या स्वशासन दिया जाए। युद्ध के इस काल में क्रांतिकारी आंदोलन का भी विकास हुआ। आतंकवादी संगठन बंगाल और महाराष्ट्र से लेकर पूरे उत्तरी भारत तक फैल गए। अमरीका और कनाडा में बसे भारतीय क्रांतिकारियों ने 1913 में गदर पार्टी की स्थापना की। इसके अधिकांश सदस्य पंजाब के सिख किसान और भूतपूर्व सैनिक थे जो वहाँ रोज़ी-रोटी की तलाश में गए थे और जिनको वहाँ खुले नस्ली और आर्थिक भेदभाव का सामना करना पड़ता था।

SubQuestion No : 14

Q.14 निम्न में से किन शब्दों में 'अ' उपसर्ग लगाकर उनका विलोम बनता है?

Ans

- A. सुरक्षित तथा आवश्यक
- B. वास्तविक तथा सहयोग
- C. आवश्यक तथा वास्तविक
- D. युद्ध तथा सहयोग

Question ID : 630680437015

Option 1 ID : 6306801705982

Option 2 ID : 6306801705981

Option 3 ID : 6306801705984

Option 4 ID : 6306801705983

Status : Answered

Chosen Option : B

WWW.ALLEXAMREVIEW.COM

Comprehension:

प्रश्न के उत्तर दिए गए गद्यांश के आधार पर दीजिए।

जून 1914 में पहला विश्वयुद्ध फूट पड़ा। इसमें एक ओर ब्रिटेन, फ्रांस, इटली, रूस और जापान थे, और अमरीका भी बाद में उनसे आ मिला, और दूसरी ओर जर्मनी, आस्ट्रिया-हंगरी और तुर्की थे। आरंभ में लोकमान्य तिलक समेत भारतीय राष्ट्रवादी नेताओं ने सरकार के युद्ध प्रयासों में सहयोग का निश्चय किया। यह निश्चय इस ग़लत धारणा पर आधारित था कि कृतज्ञ होकर ब्रिटेन भारत की वफादारी का पुरस्कार देगा और भारत स्वशासन की ओर एक लम्बी छलांग लगाने में समर्थ होगा। उन्होंने इस बात को पूरी तरह नहीं समझा कि प्रथम विश्वयुद्ध की विभिन्न शक्तियाँ अपने उपनिवेशों को सुरक्षित रखने के लिए ही लड़ रही थीं। सरकार तब तक वास्तविक अधिकार नहीं देगी जब तक कि उसके ऊपर जनता का दबाव न डाला जाए। इसलिए एक वास्तविक राजनीतिक जन-आंदोलन आवश्यक था। युद्ध के कारण भारत के निर्धन वर्गों को बदहाली और भयानक हुई। उनके लिए युद्ध का मतलब था करों का भारी बोझ और रोज़मर्रा की ज़रूरतों का लगातार महुँगा होना। 1916-17 दो होमरूल लीगों की स्थापना हुई। इनमें एक के नेता लोकमान्य तिलक थे, तो दूसरा श्रीमती ऐनी बेसेंट और एस. सुब्रामन्य अय्यर के नेतृत्व में था। इन दोनों ने आपसी सहयोग से पूरे देश में इस माँग को प्रचारित किया कि युद्ध के बाद भारत को होमरूल या स्वशासन दिया जाए। युद्ध के इस काल में क्रांतिकारी आंदोलन का भी विकास हुआ। आतंकवादी संगठन बंगाल और महाराष्ट्र से लेकर पूरे उत्तरी भारत तक फैल गए। अमरीका और कनाडा में बसे भारतीय क्रांतिकारियों ने 1913 में गदर पार्टी की स्थापना की। इसके अधिकांश सदस्य पंजाब के सिख किसान और भूतपूर्व सैनिक थे जो वहाँ रोज़ी-रोटी की तलाश में गए थे और जिनको वहाँ खुले नस्ली और आर्थिक भेदभाव का सामना करना पड़ता था।

SubQuestion No : 15

Q.15 प्रथम विश्व युद्ध में निम्न में से कौन-सा राष्ट्र दिए गए बाकी राष्ट्रों के साथ एक समूह में नहीं था?

- Ans
- A. ब्रिटेन
 - B. तुर्की
 - C. अमरीका
 - D. फ्रांस

Question ID : 630680437014
Option 1 ID : 6306801705977
Option 2 ID : 6306801705980
Option 3 ID : 6306801705979
Option 4 ID : 6306801705978
Status : Answered
Chosen Option : C

Section : General English

Q.1 The following sentence has been divided into parts. One of them may contain an error. Select the part that contains the error from the given options. If you don't find any error, mark 'No error' as your answer.

Where do you go / for your / next vacation?

- Ans
- A. for your
 - B. next vacation
 - C. No error
 - D. Where do you go

Question ID : 630680437022
Option 1 ID : 6306801706010
Option 2 ID : 6306801706011
Option 3 ID : 6306801706012
Option 4 ID : 6306801706009
Status : Answered
Chosen Option : A

Q.2 Select the most appropriate synonym of the word given in brackets to fill in the blank.

The children _____ (ventured) to go out into the woods that morning.

- Ans
- A. dared
 - B. designed
 - C. neglected
 - D. protected

Question ID : 630680437025
Option 1 ID : 6306801706023
Option 2 ID : 6306801706024
Option 3 ID : 6306801706021
Option 4 ID : 6306801706022
Status : Answered
Chosen Option : A

Q.3 Select the most appropriate option to fill in the blank.

Hamid requested the shopkeeper _____ him the tongs for three paise.

- Ans
- A. sells
 - B. to sell
 - C. sell
 - D. selling

Question ID : 630680437020
Option 1 ID : 6306801706002
Option 2 ID : 6306801706004
Option 3 ID : 6306801706001
Option 4 ID : 6306801706003
Status : Not Answered
Chosen Option : --

Q.4 The following sentence has been divided into parts. One of them may contain an error. Select the part that contains the error from the given options. If you don't find any error, mark 'No error' as your answer.

Every day my grandmother / taking a nap / in the afternoon.

- Ans
- A. taking a nap
 - B. No error
 - C. Every day my grandmother
 - D. in the afternoon

Question ID : 630680437021
Option 1 ID : 6306801706006
Option 2 ID : 6306801706008
Option 3 ID : 6306801706005
Option 4 ID : 6306801706007
Status : Answered
Chosen Option : A

Q.5 Select the most appropriate ANTONYM of the word given in brackets to fill in the blank.

They visit their village home quite _____ (scarcely), at least three times in a year.

- Ans
- A. seldom
 - B. frequently
 - C. slightly
 - D. hardly

Question ID : 630680437024
Option 1 ID : 6306801706019
Option 2 ID : 6306801706018
Option 3 ID : 6306801706020
Option 4 ID : 6306801706017
Status : Answered
Chosen Option : A

Q.6 Select the most appropriate option to fill in the blank.

The little boy escaped _____ the burning hut.

- Ans
- A. for
 - B. of
 - C. from
 - D. with

Question ID : 630680437019
Option 1 ID : 6306801705998
Option 2 ID : 6306801705997
Option 3 ID : 6306801705999
Option 4 ID : 6306801706000
Status : Answered
Chosen Option : B

Q.7 Select the sentence with the grammatically correct verb form.

- Ans
- A. She have her laptop repaired last week.
 - B. She had have her laptop repaired last week.
 - C. She had her laptop repaired last week.
 - D. She is having her laptop repaired last week.

Question ID : 630680437023
Option 1 ID : 6306801706013
Option 2 ID : 6306801706015
Option 3 ID : 6306801706014
Option 4 ID : 6306801706016
Status : Answered
Chosen Option : C

Q.8 Select the most appropriate meaning of the given idiom.

Run around in circles

- Ans
- A. Do something for the first time
 - B. Do things in the cheapest way
 - C. Doing something that cannot be reverted
 - D. Do things without achieving anything

Question ID : 630680437027
Option 1 ID : 6306801706029
Option 2 ID : 6306801706031
Option 3 ID : 6306801706032
Option 4 ID : 6306801706030
Status : Answered
Chosen Option : D

Q.9 Parts of a sentence are given below in jumbled order. Arrange the parts in the correct order to form a meaningful sentence.

- A. There have been no reports
- B. that the low-intensity
- C. to buildings or roadways
- D. earthquake caused any damage

Ans A. ABCD
 B. ADCB
 C. ACBD
 D. ABDC

Question ID : 630680437028
Option 1 ID : 6306801706035
Option 2 ID : 6306801706033
Option 3 ID : 6306801706034
Option 4 ID : 6306801706036
Status : Answered
Chosen Option : D

Q.10 Select the option that can substitute the underlined word in the given proverb correctly. If no substitution is required, select 'No substitution required'.

God helps those who help others.

Ans A. the disadvantaged
 B. No substitution required
 C. the sick
 D. themselves

Question ID : 630680437026
Option 1 ID : 6306801706026
Option 2 ID : 6306801706028
Option 3 ID : 6306801706027
Option 4 ID : 6306801706025
Status : Answered
Chosen Option : D

Comprehension:

Read the given passage and answer the questions that follow.

The Indian Railways will construct 1,000 kilometres of boundary barriers over the course of the next six months in areas of its network, with the majority of animals being run over by trains. According to government statistics, 200 trains were affected by cattle run overs in the first nine days of October. As many as 4,000 trains have been affected so far this year. Recently, the problem has been worse for the Mumbai-Gandhinagar Vande Bharat train, which was launched on 1 October, this year. The nose of the train sustained damage owing to three cattle run overs in the first nine days of the month.

The Railway minister Ashwini Vaishnav stated that conventional boundary walls will not be able to solve the problem of cattle run over but will end up affecting villagers around the area. The minister, however, did not give any information on the material that will be used for building the boundary walls to make them sturdy enough to keep the cattle away from railway tracks and protect them from human intervention. Cattle run overs can cause serious damage to trains, derailment and delay them.

According to information accessed by PTI, with more than 6,500 of the 26,000 cattle run cases in 2020-21, North Central Railway is one of the worst affected zones. It covers 3,000 km of tracks and hosts parts of the Delhi-Howrah corridor which is the gateway for trains from the east to reach the northern parts of India.

The Northern Railways zone recorded the highest number of cattle run-over cases – nearly 6,800 – across divisions of Moradabad and Lucknow in Uttar Pradesh, Firozpur in Punjab, Ambala in Haryana, and Delhi in 2022, officials said.

The stretches identified for building boundary walls include sections in North Central Railways – in the Jhansi Division, and Prayagraj Division. In the Northern Railways the sections identified are in Moradabad Division and in Lucknow Division.

SubQuestion No : 11

Q.11 Which question CANNOT be answered after reading the passage?

Ans A.

What material is going to be used for making the boundary wall?

B.

How many total cases of cattle run-overs were recorded in 2020-21?

C.

How many kilometres wall is proposed to be made by the railways?

D.

When was Mumbai-Gandhinagar Vande Bharat train launched?

Question ID : 630680437033

Option 1 ID : 6306801706052

Option 2 ID : **6306801706051**

Option 3 ID : **6306801706049**

Option 4 ID : **6306801706050**

Status : **Answered**

Chosen Option : **A**

WWW.ALLEXAMREVIEW.COM

Comprehension:

Read the given passage and answer the questions that follow.

The Indian Railways will construct 1,000 kilometres of boundary barriers over the course of the next six months in areas of its network, with the majority of animals being run over by trains. According to government statistics, 200 trains were affected by cattle run overs in the first nine days of October. As many as 4,000 trains have been affected so far this year. Recently, the problem has been worse for the Mumbai-Gandhinagar Vande Bharat train, which was launched on 1 October, this year. The nose of the train sustained damage owing to three cattle run overs in the first nine days of the month.

The Railway minister Ashwini Vaishnav stated that conventional boundary walls will not be able to solve the problem of cattle run over but will end up affecting villagers around the area. The minister, however, did not give any information on the material that will be used for building the boundary walls to make them sturdy enough to keep the cattle away from railway tracks and protect them from human intervention. Cattle run overs can cause serious damage to trains, derailment and delay them.

According to information accessed by PTI, with more than 6,500 of the 26,000 cattle run cases in 2020-21, North Central Railway is one of the worst affected zones. It covers 3,000 km of tracks and hosts parts of the Delhi-Howrah corridor which is the gateway for trains from the east to reach the northern parts of India.

The Northern Railways zone recorded the highest number of cattle run-over cases – nearly 6,800 – across divisions of Moradabad and Lucknow in Uttar Pradesh, Ferozpur in Punjab, Ambala in Haryana, and Delhi in 2022, officials said.

The stretches identified for building boundary walls include sections in North Central Railways – in the Jhansi Division, and Prayagraj Division. In the Northern Railways the sections identified are in Moradabad Division and in Lucknow Division.

SubQuestion No : 12

Q.12 The passage is mainly about:

- Ans
- A. building boundary walls along the rail track
 - B. trains getting delayed due to cattle hit
 - C. trains getting damaged by the cattle
 - D. cattle hitting the trains

Question ID : 630680437030
Option 1 ID : 6306801706039
Option 2 ID : 6306801706038
Option 3 ID : 6306801706040
Option 4 ID : 6306801706037

Status : **Answered**
Chosen Option : **A**

WWW.ALLEXAMREVIEW.COM

Comprehension:

Read the given passage and answer the questions that follow.

The Indian Railways will construct 1,000 kilometres of boundary barriers over the course of the next six months in areas of its network, with the majority of animals being run over by trains. According to government statistics, 200 trains were affected by cattle run overs in the first nine days of October. As many as 4,000 trains have been affected so far this year. Recently, the problem has been worse for the Mumbai-Gandhinagar Vande Bharat train, which was launched on 1 October, this year. The nose of the train sustained damage owing to three cattle run overs in the first nine days of the month.

The Railway minister Ashwini Vaishnav stated that conventional boundary walls will not be able to solve the problem of cattle run over but will end up affecting villagers around the area. The minister, however, did not give any information on the material that will be used for building the boundary walls to make them sturdy enough to keep the cattle away from railway tracks and protect them from human intervention. Cattle run overs can cause serious damage to trains, derailment and delay them.

According to information accessed by PTI, with more than 6,500 of the 26,000 cattle run cases in 2020-21, North Central Railway is one of the worst affected zones. It covers 3,000 km of tracks and hosts parts of the Delhi-Howrah corridor which is the gateway for trains from the east to reach the northern parts of India.

The Northern Railways zone recorded the highest number of cattle run-over cases – nearly 6,800 – across divisions of Moradabad and Lucknow in Uttar Pradesh, Firozpur in Punjab, Ambala in Haryana, and Delhi in 2022, officials said.

The stretches identified for building boundary walls include sections in North Central Railways – in the Jhansi Division, and Prayagraj Division. In the Northern Railways the sections identified are in Moradabad Division and in Lucknow Division.

SubQuestion No : 13

Q.13 How many cases of cattle hit were recorded for the Northern railway in 2022?

- Ans**
- A. 26,000 cases
 - B. 3,000 cases
 - C. 6,800 cases
 - D. 6,500 cases

Question ID : 630680437032

Option 1 ID : 6306801706045

Option 2 ID : 6306801706048

Option 3 ID : 6306801706046

Option 4 ID : 6306801706047

Status : Answered

Chosen Option : **C**

WWW.ALLEXAMREVIEW.COM

Comprehension:

Read the given passage and answer the questions that follow.

The Indian Railways will construct 1,000 kilometres of boundary barriers over the course of the next six months in areas of its network, with the majority of animals being run over by trains. According to government statistics, 200 trains were affected by cattle run overs in the first nine days of October. As many as 4,000 trains have been affected so far this year. Recently, the problem has been worse for the Mumbai-Gandhinagar Vande Bharat train, which was launched on 1 October, this year. The nose of the train sustained damage owing to three cattle run overs in the first nine days of the month.

The Railway minister Ashwini Vaishnav stated that conventional boundary walls will not be able to solve the problem of cattle run over but will end up affecting villagers around the area. The minister, however, did not give any information on the material that will be used for building the boundary walls to make them sturdy enough to keep the cattle away from railway tracks and protect them from human intervention. Cattle run overs can cause serious damage to trains, derailment and delay them.

According to information accessed by PTI, with more than 6,500 of the 26,000 cattle run cases in 2020-21, North Central Railway is one of the worst affected zones. It covers 3,000 km of tracks and hosts parts of the Delhi-Howrah corridor which is the gateway for trains from the east to reach the northern parts of India.

The Northern Railways zone recorded the highest number of cattle run-over cases – nearly 6,800 – across divisions of Moradabad and Lucknow in Uttar Pradesh, Firozpur in Punjab, Ambala in Haryana, and Delhi in 2022, officials said.

The stretches identified for building boundary walls include sections in North Central Railways – in the Jhansi Division, and Prayagraj Division. In the Northern Railways the sections identified are in Moradabad Division and in Lucknow Division.

SubQuestion No : 14

Q.14 Sections in which division have NOT been identified for building the boundary walls?

- Ans
- A. Prayagraj division
 - B. Lucknow divisions
 - C. Jhansi division
 - D. Firozpur division

Question ID : 630680437034

Option 1 ID : 6306801706053

Option 2 ID : 6306801706054

Option 3 ID : 6306801706056

Option 4 ID : **6306801706055**

Status : **Answered**

Chosen Option : **D**

WWW.ALLEXAMREVIEW.COM

Comprehension:

Read the given passage and answer the questions that follow.

The Indian Railways will construct 1,000 kilometres of boundary barriers over the course of the next six months in areas of its network, with the majority of animals being run over by trains. According to government statistics, 200 trains were affected by cattle run overs in the first nine days of October. As many as 4,000 trains have been affected so far this year. Recently, the problem has been worse for the Mumbai-Gandhinagar Vande Bharat train, which was launched on 1 October, this year. The nose of the train sustained damage owing to three cattle run overs in the first nine days of the month.

The Railway minister Ashwini Vaishnav stated that conventional boundary walls will not be able to solve the problem of cattle run over but will end up affecting villagers around the area. The minister, however, did not give any information on the material that will be used for building the boundary walls to make them sturdy enough to keep the cattle away from railway tracks and protect them from human intervention. Cattle run overs can cause serious damage to trains, derailment and delay them.

According to information accessed by PTI, with more than 6,500 of the 26,000 cattle run cases in 2020-21, North Central Railway is one of the worst affected zones. It covers 3,000 km of tracks and hosts parts of the Delhi-Howrah corridor which is the gateway for trains from the east to reach the northern parts of India.

The Northern Railways zone recorded the highest number of cattle run-over cases – nearly 6,800 – across divisions of Moradabad and Lucknow in Uttar Pradesh, Firozpur in Punjab, Ambala in Haryana, and Delhi in 2022, officials said.

The stretches identified for building boundary walls include sections in North Central Railways – in the Jhansi Division, and Prayagraj Division. In the Northern Railways the sections identified are in Moradabad Division and in Lucknow Division.

SubQuestion No : 15

Q.15 After reading the passage it can be inferred that it is a:

- Ans
- A. survey report
 - B. news item
 - C. press release by a railway minister
 - D. magazine article

Question ID : 630680437031
Option 1 ID : 6306801706043
Option 2 ID : 6306801706042
Option 3 ID : 6306801706041
Option 4 ID : 6306801706044
Status : Answered

Chosen Option : C

Section : Domain Knowledge

Q.1 What rating (in watt) is recommended by the BSI for a fluorescent tube of length 1500 mm?

- Ans**
- A. 50
 - B. 25
 - C. 60
 - D. 90

Question ID : 630680437182

Option 1 ID : 6306801706646

Option 2 ID : 6306801706645

Option 3 ID : 6306801706647

Option 4 ID : 6306801706648

Status : Answered

Chosen Option : C

Q.2 When testing the transistor, if the ratio of reverse resistance to forward resistance is very high, then the junction is

- Ans**
- A. open circuited
 - B. good
 - C. bad
 - D. short circuited

Question ID : 630680437163

Option 1 ID : 6306801706570

Option 2 ID : 6306801706572

Option 3 ID : 6306801706571

Option 4 ID : 6306801706569

Status : Answered

Chosen Option : A

Q.3 Which of the following devices gives AC-to-DC conversion with very high efficiency?

- Ans**
- A. Metal rectifier
 - B. Motor-generator set
 - C. Rotary converter
 - D. Semiconductor diodes

Question ID : 630680437147

Option 1 ID : 6306801706508

Option 2 ID : 6306801706505

Option 3 ID : 6306801706506

Option 4 ID : 6306801706507

Status : Answered

Chosen Option : D

Q.4 Which of the following speed control methods of a DC machine provides smooth variation in speed from zero to above normal, with the inherent stability of speed at all the loads achieved through an adjustable voltage system?

- Ans**
- A. Armature diverter method
 - B. Autotransformer method
 - C. Ward Leonard system
 - D. Voltage control method

Question ID : 630680437088

Option 1 ID : 6306801706269

Option 2 ID : 6306801706272

Option 3 ID : 6306801706270

Option 4 ID : 6306801706271

Status : Answered

Chosen Option : C

Q.5 An insulated gate bipolar transistor is obtained by combining the properties of _____.

- Ans**
- A. BJT and SCR
 - B. SCR and MOSFET
 - C. BJT and MOSFET
 - D. UJT and SCR

Question ID : 630680437172

Option 1 ID : 6306801706605

Option 2 ID : 6306801706606

Option 3 ID : 6306801706607

Option 4 ID : 6306801706608

Status : Answered

Chosen Option : C

Q.6 Which of the following is an advantage of synchronous motors over induction motors?

- Ans**
- A. Efficiency is higher.
 - B. Speed decreases with the increase in load.
 - C. Price is lower.
 - D. It is easy to control the speed.

Question ID : 630680437133

Option 1 ID : 6306801706450

Option 2 ID : 6306801706449

Option 3 ID : 6306801706451

Option 4 ID : 6306801706452

Status : Answered

Chosen Option : A

Q.7 Which of the following applications does NOT use the principle of electrolysis?

- Ans A. Electromagnetic rotation
 B. Electroplating
 C. Electrolytic capacitor
 D. Electrotyping

Question ID : 630680437057
Option 1 ID : 6306801706147
Option 2 ID : 6306801706148
Option 3 ID : 6306801706145
Option 4 ID : 6306801706146
Status : Answered
Chosen Option : A

Q.8 Why is most part of the transformer laminated?

- Ans A. For minimising the eddy current losses
 B. For maximising the magnetic flux in core
 C. For achieving reduction in corrosion of the material
 D. For minimising the hissing sound

Question ID : 630680437105
Option 1 ID : 6306801706339
Option 2 ID : 6306801706338
Option 3 ID : 6306801706337
Option 4 ID : 6306801706340
Status : Answered
Chosen Option : A

Q.9 What will be the test result value of the insulation test between the conductor and earth or between the phase and neutral if the result is 'OK'?

- Ans A. Equal to 1 k Ω
 B. Less than 1 M Ω
 C. Greater than 1 M Ω
 D. Less than 10 Ω

Question ID : 630680437097
Option 1 ID : 6306801706307
Option 2 ID : 6306801706306
Option 3 ID : 6306801706308
Option 4 ID : 6306801706305
Status : Answered
Chosen Option : C

Q.10 Which of the following statements is correct about the DC series motor?

Ans A.

Field supply can be turned off after the motor attains full speed.

- B. Never start the motor if load is not connected.
 C. It can run without load.
 D. Low starting torque is produced by the motor.

Question ID : 630680437086

Option 1 ID : 6306801706262

Option 2 ID : 6306801706263

Option 3 ID : 6306801706261

Option 4 ID : 6306801706264

Status : Answered

Chosen Option : B

Q.11 A solid insulation piece, like bamboo or fibre, which is used to prevent the conductors from coming out of slots, is called _____.

Ans A. wedge

B. cuffing

C. packing strip

D. coil separator

Question ID : 630680437131

Option 1 ID : 6306801706443

Option 2 ID : 6306801706444

Option 3 ID : 6306801706441

Option 4 ID : 6306801706442

Status : Answered

Chosen Option : A

Q.12 Two conductor plates which are immersed in a liquid to form a passage of current through it are known as _____.

Ans A. electrolytes

B. ionisation

C. electrodes

D. electrolysis

Question ID : 630680437056

Option 1 ID : 6306801706141

Option 2 ID : 6306801706144

Option 3 ID : 6306801706143

Option 4 ID : 6306801706142

Status : Answered

Chosen Option : D

Q.13 Which of the following is an advantage of the on-line UPS system?

- Ans A. Free from the changeover problem
- B. Higher deficiency than the off-line UPS system
- C. Low cost
- D. Small in size

Question ID : 630680437174
Option 1 ID : 6306801706615
Option 2 ID : 6306801706613
Option 3 ID : 6306801706616
Option 4 ID : 6306801706614
Status : Not Answered
Chosen Option : --

Q.14 Which of the following is INCORRECT according to the RMS voltage equation?

- Ans A. $V_{\text{rms}} = 1.11 V_{\text{avg}}$
- B. $V_{\text{rms}} = V_m / \sqrt{2}$
- C. $V_{\text{rms}} = 0.637 V_{\text{avg}}$
- D. $V_{\text{rms}} = 0.707 V_m$

Question ID : 630680437114
Option 1 ID : 6306801706374
Option 2 ID : 6306801706376
Option 3 ID : 6306801706375
Option 4 ID : 6306801706373
Status : Answered
Chosen Option : C

Q.15 What is the peak value of an alternating current if the average value is 191.1 V?

- Ans A. 300 V
- B. 210.52 V
- C. 280 V
- D. 250 V

Question ID : 630680437113
Option 1 ID : 6306801706372
Option 2 ID : 6306801706369
Option 3 ID : 6306801706371
Option 4 ID : 6306801706370
Status : Answered
Chosen Option : A

Q.16 Which of the following parts of the alternator helps in supplying the generated EMF from the armature conductor to the load?

- Ans**
- A. Armature core
 - B. Shaft
 - C. Slip rings
 - D. Field winding

Question ID : 630680437108
Option 1 ID : 6306801706350
Option 2 ID : 6306801706352
Option 3 ID : 6306801706351
Option 4 ID : 6306801706349
Status : Answered
Chosen Option : D

Q.17 If the starting current of a DC series motor is about 1.5 times the full-load current, then the torque is about _____ times the full load torque.

- Ans**
- A. 2.50
 - B. 3.00
 - C. 1.5
 - D. 2.25

Question ID : 630680437084
Option 1 ID : 6306801706255
Option 2 ID : 6306801706256
Option 3 ID : 6306801706253
Option 4 ID : 6306801706254
Status : Answered
Chosen Option : C

Q.18 Which type of flux is suitable for soldering cast iron, wrought iron, mild steel and cast steel at low temperatures?

- Ans**
- A. Tallow
 - B. 10% hydrochloric acid diluted with 90% water
 - C. Sal ammonia rosin
 - D. Zinc chloride

Question ID : 630680437045
Option 1 ID : 6306801706100
Option 2 ID : 6306801706098
Option 3 ID : 6306801706099
Option 4 ID : 6306801706097
Status : Answered
Chosen Option : D

Q.19 The magnetic strength of which of the following magnets is controlled by the electric current?

- Ans
- A. Permanent magnet
 - B. Temporary magnet
 - C. Fine magnet
 - D. Electromagnet

Question ID : 630680437120
Option 1 ID : 6306801706398
Option 2 ID : 6306801706397
Option 3 ID : 6306801706399
Option 4 ID : 6306801706400
Status : Answered
Chosen Option : D

Q.20 Which of the following bonds is found between semiconductor materials silicon and germanium?

- Ans
- A. Non-directional bond
 - B. Metallic bond
 - C. Covalent bond
 - D. Ionic bond

Question ID : 630680437160
Option 1 ID : 6306801706560
Option 2 ID : 6306801706559
Option 3 ID : 6306801706558
Option 4 ID : 6306801706557
Status : Answered
Chosen Option : C

Q.21 Which of the following materials is preferred for lightning conductors?

- Ans
- A. Copper
 - B. Laminated iron
 - C. Aluminium
 - D. Galvanised iron

Question ID : 630680437158
Option 1 ID : 6306801706549
Option 2 ID : 6306801706552
Option 3 ID : 6306801706550
Option 4 ID : 6306801706551
Status : Not Answered
Chosen Option : --

Q.22 Which of the following is a characteristic of a good insulator?

Ans A. High resistance to the flow of electrons

B. Good electric conductor

C.

Electrons in the outer shell and sub-shells can move more easily from one atom to another

D. Good electric charge flow

Question ID : 630680437042

Option 1 ID : 6306801706087

Option 2 ID : 6306801706088

Option 3 ID : 6306801706086

Option 4 ID : 6306801706085

Status : Answered

Chosen Option : A

Q.23 In transistors, if good biasing is required, then which of the following parameters needs to be stable?

Ans A. Collector current

B. Q-point

C. Value of β

D. Temperature

Question ID : 630680437165

Option 1 ID : 6306801706578

Option 2 ID : 6306801706577

Option 3 ID : 6306801706580

Option 4 ID : 6306801706579

Status : Answered

Chosen Option : B

Q.24 Which of the following is NOT a part of the squirrel-cage induction motor?

Ans A. Slip rings

B. Stator

C. Rotor bars

D. Terminal cover

Question ID : 630680437139

Option 1 ID : 6306801706475

Option 2 ID : 6306801706473

Option 3 ID : 6306801706476

Option 4 ID : 6306801706474

Status : Answered

Chosen Option : A

Q.25 The electromotive force (EMF) causes to _____ the electrons through the circuit.

- Ans
- A. limit
 - B. create
 - C. collide
 - D. drive

Question ID : 630680437053

Option 1 ID : 6306801706130

Option 2 ID : 6306801706132

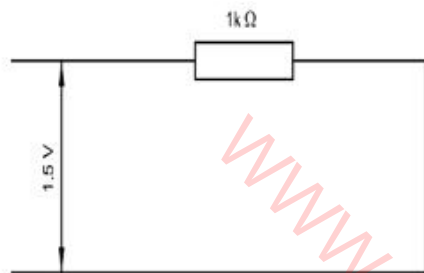
Option 3 ID : 6306801706131

Option 4 ID : 6306801706129

Status : Answered

Chosen Option : D

Q.26



Find the current flowing through the above circuit.

- Ans
- A. 15 A
 - B. 1.5 mA
 - C. 1.5 A
 - D. 0.15 A

Question ID : 630680437055

Option 1 ID : 6306801706140

Option 2 ID : 6306801706138

Option 3 ID : 6306801706139

Option 4 ID : 6306801706137

Status : Answered

Chosen Option : B

Q.27 What will be the pole pitch of a lap-wound machine if the number of commutator segments is 6; the number of slots is 32 and the number of poles is 4?

- Ans
- A. 16 slots
 - B. 32 slots
 - C. 4 slots
 - D. 8 slots

Question ID : 630680437129

Option 1 ID : 6306801706435

Option 2 ID : 6306801706436

Option 3 ID : 6306801706433

Option 4 ID : 6306801706434

Status : Answered

Chosen Option : D

Q.28 Which of the following is required for safety purpose when working with operating switch panels and control gears?

- Ans**
- A. Loose shirt sleeves
 - B. Ladder
 - C. Rubber mats
 - D. Safety belts

Question ID : **630680437035**
Option 1 ID : **6306801706060**
Option 2 ID : **6306801706057**
Option 3 ID : **6306801706058**
Option 4 ID : **6306801706059**
Status : **Answered**
Chosen Option : **C**

Q.29 Which of the following is an application of the uni-junction transistor?

- Ans**
- A. Timing circuit
 - B. Pulse circuit reference
 - C. DC motor control
 - D. Full-wave control circuit

Question ID : **630680437170**
Option 1 ID : **6306801706597**
Option 2 ID : **6306801706599**
Option 3 ID : **6306801706598**
Option 4 ID : **6306801706600**
Status : **Answered**
Chosen Option : **A**

Q.30 What will be the generated frequency of a 4-pole alternator if it is run at the speed of 1500 rpm?

- Ans**
- A. 40 Hz
 - B. 50 Hz
 - C. 60 Hz
 - D. 20 Hz

Question ID : **630680437107**
Option 1 ID : **6306801706347**
Option 2 ID : **6306801706346**
Option 3 ID : **6306801706345**
Option 4 ID : **6306801706348**
Status : **Answered**
Chosen Option : **B**

Q.31 Which type of relay is used for protecting generators, transformers and transmission lines from the effect of internal faults?

- Ans**
- A. Admittance relay
 - B. Differential relay
 - C. Earth fault relay
 - D. Distance relay

Question ID : **630680437153**
Option 1 ID : **6306801706530**
Option 2 ID : **6306801706531**
Option 3 ID : **6306801706529**
Option 4 ID : **6306801706532**
Status : **Answered**
Chosen Option : **B**

Q.32 Which of the following factors does NOT change the capacity of a cell?

- Ans**
- A. Strength of the electrolyte
 - B. Number of plates
 - C. Weight of plates
 - D. Size of plates

Question ID : **630680437061**
Option 1 ID : **6306801706164**
Option 2 ID : **6306801706162**
Option 3 ID : **6306801706163**
Option 4 ID : **6306801706161**
Status : **Answered**
Chosen Option : **C**

Q.33 The bending of electrodes caused by overcharging and discharging, improper electrolyte and temperature is known as _____.

- Ans**
- A. partial short
 - B. hard sulphation
 - C. buckling
 - D. short-circuiting

Question ID : **630680437064**
Option 1 ID : **6306801706174**
Option 2 ID : **6306801706176**
Option 3 ID : **6306801706173**
Option 4 ID : **6306801706175**
Status : **Answered**
Chosen Option : **C**

Q.34 Which of the following types of diode has a metal needle connected with pressure onto a small piece of germanium or silicon?

- Ans**
- A. Point-contact diode
 - B. Avalanche diode
 - C. Signal diode
 - D. Junction diode

Question ID : 630680437161
Option 1 ID : 6306801706562
Option 2 ID : 6306801706563
Option 3 ID : 6306801706564
Option 4 ID : 6306801706561
Status : Answered
Chosen Option : A

Q.35 Which of the following is NOT used as a protective device in circuits?

- Ans**
- A. Polyswitch
 - B. Circuit breaker
 - C. Buzzer
 - D. Fuse

Question ID : 630680437118
Option 1 ID : 6306801706391
Option 2 ID : 6306801706392
Option 3 ID : 6306801706389
Option 4 ID : 6306801706390
Status : Answered
Chosen Option : C

Q.36 What will be the impedance value of an inductive coil if the resistance of the coil is $7\ \Omega$ and its reactance is $10\ \Omega$?

- Ans**
- A. $149\ \Omega$
 - B. $57.5\ \Omega$
 - C. $12.2\ \Omega$
 - D. $18.9\ \Omega$

Question ID : 630680437116
Option 1 ID : 6306801706381
Option 2 ID : 6306801706382
Option 3 ID : 6306801706384
Option 4 ID : 6306801706383
Status : Answered
Chosen Option : C

Q.37 Which of the following factors is required to be corrected when the light emitted by an illumination source should not strike the eyes of occupants or workers?

- Ans**
- A. Maintenance
 - B. Cost
 - C. Nature of work
 - D. Design of apartment

Question ID : 630680437126

Option 1 ID : 6306801706424

Option 2 ID : 6306801706423

Option 3 ID : 6306801706421

Option 4 ID : 6306801706422

Status : Answered

Chosen Option : D

Q.38 Which of the following losses are considered under the category of variable losses of a DC machine?

- Ans**
- A. Eddy current losses
 - B. Windage losses
 - C. Hysteresis losses
 - D. Field copper losses

Question ID : 630680437082

Option 1 ID : 6306801706245

Option 2 ID : 6306801706247

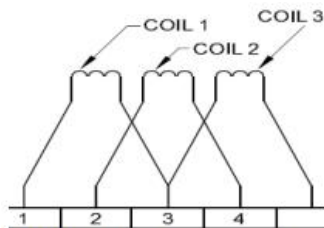
Option 3 ID : 6306801706246

Option 4 ID : 6306801706248

Status : Answered

Chosen Option : D

Q.39



Identify the type of winding in the DC machine shown in the above figure.

- Ans**
- A. Simplex wave winding
 - B. Duplex wave winding
 - C. Simplex lap winding
 - D. Duplex lap winding

Question ID : 630680437121

Option 1 ID : 6306801706403

Option 2 ID : 6306801706404

Option 3 ID : 6306801706401

Option 4 ID : 6306801706402

Status : Answered

Chosen Option : B

Q.40 A four-pole generator with a wave-wound armature has 1020 conductors. What will be the voltage generated in the machine when driven at the speed of 1500 rpm, assuming the flux per pole to be 7.0 mWb?

- Ans**
- A. 245 V
 - B. 357 V
 - C. 423 V
 - D. 389 V

Question ID : 630680437079
Option 1 ID : 6306801706233
Option 2 ID : 6306801706234
Option 3 ID : 6306801706236
Option 4 ID : 6306801706235
Status : Answered
Chosen Option : B

Q.41 Which of the following parameters is INCORRECT for dependency of the resistance of a material?

- Ans**
- A. Nature of the material of the conductor
 - B. Initial resistance
 - C. Rise in temperature
 - D. Weight of the material

Question ID : 630680437072
Option 1 ID : 6306801706207
Option 2 ID : 6306801706205
Option 3 ID : 6306801706206
Option 4 ID : 6306801706208
Status : Marked For Review
Chosen Option : B

Q.42 Which of the following is usually placed above the towers that support overhead transmission lines, for providing protection against direct lightning strikes?

- Ans**
- A. Lightning rods
 - B. Circuit breaker
 - C. Ground wires
 - D. Protecting relay

Question ID : 630680437156
Option 1 ID : 6306801706541
Option 2 ID : 6306801706542
Option 3 ID : 6306801706543
Option 4 ID : 6306801706544
Status : Answered
Chosen Option : C

Q.43 Find the resistance of a heater coil at 25°C if its resistance is 65 Ω at 75°C, with 0.004°C of temperature coefficient.

- Ans**
- A. 55 Ω
 - B. 45 Ω
 - C. 60 Ω
 - D. 50 Ω

Question ID : 630680437073

Option 1 ID : 6306801706210

Option 2 ID : 6306801706212

Option 3 ID : 6306801706209

Option 4 ID : 6306801706211

Status : Answered

Chosen Option : A

Q.44 ईट और कंक्रीट की दीवारों में, या छत में बैटन या गोल ब्लॉक लगाने के लिए छिद्र करने के लिए निम्नलिखित में से किसका उपयोग किया जाता है?

- Ans**
- A. कठोर लकड़ी की छड़
 - B. लकड़ी की गट्टियाँ
 - C. रॉल जम्पर
 - D. हैंगर

Question ID : 630680437180

Option 1 ID : 6306801706639

Option 2 ID : 6306801706637

Option 3 ID : 6306801706638

Option 4 ID : 6306801706640

Status : Answered

Chosen Option : C

Q.45 Water is a _____ material and air is a _____ substance.

- Ans**
- A. diamagnetic; paramagnetic
 - B. paramagnetic; diamagnetic
 - C. diamagnetic; ferromagnetic
 - D. ferromagnetic; paramagnetic

Question ID : 630680437067

Option 1 ID : 6306801706187

Option 2 ID : 6306801706188

Option 3 ID : 6306801706185

Option 4 ID : 6306801706186

Status : Answered

Chosen Option : A

Q.46 Which of the following is a disadvantage of universal motors?

- Ans
- A. Operate on direct current or AC supply
 - B. Tapped fields provide an easy method of controlling speed.
 - C. High starting torque is developed.
 - D. Useful only for intermittent duty applications

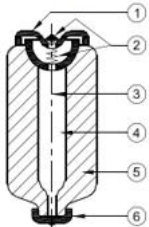
Question ID : 630680437145
 Option 1 ID : 6306801706498
 Option 2 ID : 6306801706499
 Option 3 ID : 6306801706497
 Option 4 ID : 6306801706500
 Status : Answered
 Chosen Option : D

Q.47 Which of the following materials has ideal dielectric strength?

- Ans
- A. Steel
 - B. Sulphur
 - C. Mica
 - D. Silica

Question ID : 630680437092
 Option 1 ID : 6306801706285
 Option 2 ID : 6306801706288
 Option 3 ID : 6306801706286
 Option 4 ID : 6306801706287
 Status : Answered
 Chosen Option : C

Q.48 What is the name of the part indicated by no. 3 in the above figure of a fuse cartridge?



Cartridge Fuse

- Ans
- A. Fuse wire
 - B. Foot contact
 - C. Break indicator
 - D. Sand filling

Question ID : 630680437075
 Option 1 ID : 6306801706218
 Option 2 ID : 6306801706220
 Option 3 ID : 6306801706217
 Option 4 ID : 6306801706219
 Status : Answered
 Chosen Option : C

Q.49 What is the cutting speed (in metres per minute) if the spindle speed is 398 rpm and a mild steel bar is cut with a high-speed drill of 24 mm diameter?

- Ans**
- A. 26
 - B. 55
 - C. 12
 - D. 30

Question ID : **630680437041**
Option 1 ID : **6306801706082**
Option 2 ID : **6306801706084**
Option 3 ID : **6306801706081**
Option 4 ID : **6306801706083**
Status : **Not Answered**
Chosen Option : --

Q.50 Which of the following is an advantage of the auto transformer over the two- winding transformer?

- Ans**
- A. Higher efficiency
 - B. Higher input impedance
 - C. Higher leakage flux
 - D. Lower voltage regulation

Question ID : **630680437103**
Option 1 ID : **6306801706329**
Option 2 ID : **6306801706331**
Option 3 ID : **6306801706332**
Option 4 ID : **6306801706330**
Status : **Answered**
Chosen Option : **D**

Q.51 Which of the following is possible in DC-DC drive control for a DC motor?

- Ans**
- A. Regenerative brake control
 - B. Good reliability
 - C. Precise speed control
 - D. Reduction in weight and size

Question ID : **630680437089**
Option 1 ID : **6306801706274**
Option 2 ID : **6306801706275**
Option 3 ID : **6306801706273**
Option 4 ID : **6306801706276**
Status : **Answered**
Chosen Option : **A**

Q.52 Which of the following is used to increase sparking at the brush position when the AC supply is used in a universal motor?

- Ans
- A. Inter-poles
 - B. Brushes with high contact resistance
 - C. Compensating winding
 - D. Pure copper brushes

Question ID : 630680437143
Option 1 ID : 6306801706490
Option 2 ID : 6306801706491
Option 3 ID : 6306801706489
Option 4 ID : 6306801706492
Status : Answered
Chosen Option : D

Q.53 According to the BSI, how many ceiling fan units will be required if the area of the main dwelling unit is 140 m²?

- Ans
- A. 2 to 3
 - B. 3 to 4
 - C. 4 to 5
 - D. 5 to 7

Question ID : 630680437094
Option 1 ID : 6306801706293
Option 2 ID : 6306801706294
Option 3 ID : 6306801706295
Option 4 ID : 6306801706296
Status : Answered
Chosen Option : A

Q.54 Which type of soldering is used for quantity production and for tinning works similar to component soldering on printed circuit boards?

- Ans
- A. Temperature-controlled soldering
 - B. Dip soldering
 - C. Soldering with a soldering gun
 - D. Soldering with a soldering iron

Question ID : 630680437046
Option 1 ID : 6306801706102
Option 2 ID : 6306801706101
Option 3 ID : 6306801706104
Option 4 ID : 6306801706103
Status : Answered
Chosen Option : D

Q.55 What happens when a cell connection is reversed in a parallel group?

- Ans
- A. Power decreases
 - B. High voltage is produced
 - C. A short-circuit current flows
 - D. Power increases

Question ID : 630680437065
Option 1 ID : 6306801706180
Option 2 ID : 6306801706177
Option 3 ID : 6306801706178
Option 4 ID : 6306801706179
Status : Answered
Chosen Option : B

Q.56 The inter-pole winding of a DC generator is connected _____ the armature winding.

- Ans
- A. across
 - B. in shunt with
 - C. in parallel with
 - D. in series with

Question ID : 630680437080
Option 1 ID : 6306801706240
Option 2 ID : 6306801706239
Option 3 ID : 6306801706238
Option 4 ID : 6306801706237
Status : Answered
Chosen Option : D

Q.57 Which of the following tests of cables does NOT work on the principle of Wheatstone bridge?

- Ans
- A. Varley loop test
 - B. Loop test
 - C. Open-loop test
 - D. Murray loop test

Question ID : 630680437051
Option 1 ID : 6306801706123
Option 2 ID : 6306801706121
Option 3 ID : 6306801706124
Option 4 ID : 6306801706122
Status : Answered
Chosen Option : C

Q.58 The peak-to-peak value of a sine wave is equal to _____.

- Ans
- A. half of the peak value
 - B. the maximum value of the wave
 - C. two times of the maximum value of the wave
 - D. two times of the half wave

Question ID : 630680437100
Option 1 ID : 6306801706319
Option 2 ID : 6306801706320
Option 3 ID : 6306801706318
Option 4 ID : 6306801706317
Status : Answered
Chosen Option : C

Q.59 Which of the following components is used in constant-current sources?

- Ans
- A. MOSFET
 - B. UJT
 - C. FET
 - D. IGBT

Question ID : 630680437171
Option 1 ID : 6306801706603
Option 2 ID : 6306801706602
Option 3 ID : 6306801706601
Option 4 ID : 6306801706604
Status : Answered
Chosen Option : D

Q.60 Which of the following sections of the National Electrical Code – 2011 covers the guidelines on safety procedures and practices in electrical work?

- Ans
- A. Section 9
 - B. Section 4
 - C. Section 19
 - D. Section 14

Question ID : 630680437037
Option 1 ID : 6306801706066
Option 2 ID : 6306801706065
Option 3 ID : 6306801706068
Option 4 ID : 6306801706067
Status : Not Answered
Chosen Option : --

Q.61 Which of the following statements is INCORRECT about the universal motor when compared with the DC series motor?

- Ans
- A. Inter-pole is required.
 - B. It runs on both AC supply and DC supply.
 - C. Minimum air gap is required.
 - D. Compensating winding is not required for a large machine.

Question ID : 630680437144
Option 1 ID : 6306801706495
Option 2 ID : 6306801706493
Option 3 ID : 6306801706496
Option 4 ID : 6306801706494
Status : Answered
Chosen Option : D

Q.62 What is the function of pole shoes in a DC machine?

- Ans
- A. To increase the current density
 - B. To spread out the flux in the air gap uniformly
 - C. To produce a low magnetic field
 - D. To produce the de-magnetic effect

Question ID : 630680437078
Option 1 ID : 6306801706232
Option 2 ID : 6306801706231
Option 3 ID : 6306801706230
Option 4 ID : 6306801706229
Status : Answered
Chosen Option : B

Q.63 Which of the following is an advantage of the rotary converter over other types of converter?

- Ans
- A. High power factor
 - B. Less noise
 - C. Very low cost
 - D. Low maintenance

Question ID : 630680437148
Option 1 ID : 6306801706511
Option 2 ID : 6306801706510
Option 3 ID : 6306801706509
Option 4 ID : 6306801706512
Status : Answered
Chosen Option : A

Q.64 Which of the following options is INCORRECT as a function of the power modulator?

Ans A.

It selects the mode of operation of the motor, such as motoring and braking.

B.

It converts electrical energy of the source into a form suitable to the motor.

C.

During transient operations, it increases the motor current within permissible limits.

D.

It modulates flow of power from the source to the motor in such a manner that motor is imparted speed torque characteristic required by the load.

Question ID : 630680437179

Option 1 ID : 6306801706636

Option 2 ID : 6306801706635

Option 3 ID : 6306801706634

Option 4 ID : 6306801706633

Status : Not Answered

Chosen Option : --

Q.65 Which of the following is the symbol of a moving iron instrument?

Ans

A.



B.



C.



D.



Question ID : 630680437110

Option 1 ID : 6306801706358

Option 2 ID : 6306801706357

Option 3 ID : 6306801706359

Option 4 ID : 6306801706360

Status : Answered

Chosen Option : B

Q.66 Which of the following is the correct sequence for a new type of service connection for a power circuit?

Ans A.

Energy meter – IC cut-out – main switch – distribution board

B.

IC cut-out – energy meter – main switch – distribution board

C.

IC cut-out – energy meter – distribution board – main switch

D.

Main switch – energy meter – distribution board – IC cut-out

Question ID : 630680437181

Option 1 ID : 6306801706642

Option 2 ID : 6306801706641

Option 3 ID : 6306801706644

Option 4 ID : 6306801706643

Status : Answered

Chosen Option : A

Q.67 Which of the following options is correct about PVC conduit wiring?

- Ans
- A. Cost is very high
 - B. Life is only of few years
 - C. Difficult to extend and remove
 - D. Provides good mechanical protection

Question ID : 630680437151
Option 1 ID : 6306801706521
Option 2 ID : 6306801706522
Option 3 ID : 6306801706524
Option 4 ID : 6306801706523
Status : Answered
Chosen Option : A

Q.68 Which of the following is an advantage of underground (UG) cables over outdoor cables?

- Ans
- A. UG cables are not affected by man-made problems like sabotage, strike, etc.
 - B. The cost of joints is high in case of UG cables
 - C. Higher insulation is required at high voltages as compared to overhead lines
 - D. Initial cost of an UG cable system is high

Question ID : 630680437049
Option 1 ID : 6306801706116
Option 2 ID : 6306801706114
Option 3 ID : 6306801706115
Option 4 ID : 6306801706113
Status : Answered
Chosen Option : A

Q.69 Which of the following is correct as an electrical property of insulating materials?

- Ans
- A. Insulation resistance
 - B. Viscosity
 - C. Hygroscopicity
 - D. Thermal conductivity

Question ID : 630680437091
Option 1 ID : 6306801706281
Option 2 ID : 6306801706282
Option 3 ID : 6306801706284
Option 4 ID : 6306801706283
Status : Answered
Chosen Option : A

Q.70 In which condition of the skin or in which area of the human body are the lowest resistive values produced?

- Ans**
- A. Internal body-hand
 - B. Ear to ear
 - C. Wet skin
 - D. Dry skin

Question ID : 630680437099
Option 1 ID : 6306801706315
Option 2 ID : 6306801706316
Option 3 ID : 6306801706314
Option 4 ID : 6306801706313
Status : Answered
Chosen Option : C

Q.71 Find the number of coils per phase per pole of a 3-phase induction motor with 36 slots, 12 coils and a 4-pole stator.

- Ans**
- A. 4
 - B. 6
 - C. 1
 - D. 2

Question ID : 630680437142
Option 1 ID : 6306801706487
Option 2 ID : 6306801706488
Option 3 ID : 6306801706485
Option 4 ID : 6306801706486
Status : Answered
Chosen Option : C

Q.72 Which of the following parameters is NOT required for producing dynamically induced EMF?

- Ans**
- A. Magnetic field
 - B. Relative motion between the conductor and the magnetic field
 - C. Conductor
 - D. Electrostatic field

Question ID : 630680437077
Option 1 ID : 6306801706225
Option 2 ID : 6306801706227
Option 3 ID : 6306801706226
Option 4 ID : 6306801706228
Status : Answered
Chosen Option : D

Q.73 An alternator operating at a unity power factor has a _____ voltage regulation.

- Ans
- A. small negative
 - B. large negative
 - C. small positive
 - D. large positive

Question ID : 630680437109
Option 1 ID : 6306801706355
Option 2 ID : 6306801706356
Option 3 ID : 6306801706353
Option 4 ID : 6306801706354
Status : Answered
Chosen Option : C

Q.74 What is the advantage of the horn gap used in transmission line equipment?

- Ans
- A. Corrosion or pitting adversely affects the performance of the arrester.
 - B. The time of operation is comparatively long.
 - C. Bridging of the gap by some external agent (for example, birds) creates a short circuit.
 - D. The arc is self-clearing.

Question ID : 630680437157
Option 1 ID : 6306801706547
Option 2 ID : 6306801706548
Option 3 ID : 6306801706546
Option 4 ID : 6306801706545
Status : Answered
Chosen Option : D

Q.75 Which of the following is NOT considered as a relay?

- Ans
- A. Under-voltage relay
 - B. Reactance relay
 - C. Resistance relay
 - D. Impedance relay

Question ID : 630680437152
Option 1 ID : 6306801706525
Option 2 ID : 6306801706527
Option 3 ID : 6306801706528
Option 4 ID : 6306801706526
Status : Answered
Chosen Option : C

Q.76 Which type of insulating material is used in a DC motor winding in the form of liquid?

- Ans**
- A. Mica folium
 - B. Varnish
 - C. Pressphan paper
 - D. Fibre glass tape

Question ID : 630680437090
Option 1 ID : 6306801706278
Option 2 ID : 6306801706279
Option 3 ID : 6306801706280
Option 4 ID : 6306801706277
Status : Answered
Chosen Option : B

Q.77 Which of the following is considered as a marking medium in marking tools?

- Ans**
- A. Steel rule
 - B. Whitewash
 - C. Try square
 - D. Prick punch

Question ID : 630680437039
Option 1 ID : 6306801706074
Option 2 ID : 6306801706073
Option 3 ID : 6306801706076
Option 4 ID : 6306801706075
Status : Answered
Chosen Option : D

Q.78 In which type of DC motors is the torque directly proportional to the square of the armature current?

- Ans**
- A. DC series motors
 - B. Differential compound motors
 - C. DC shunt motors
 - D. Cumulative compound motors

Question ID : 630680437123
Option 1 ID : 6306801706411
Option 2 ID : 6306801706410
Option 3 ID : 6306801706412
Option 4 ID : 6306801706409
Status : Answered
Chosen Option : A

Q.79 Which of the following statements is correct about the digital storage oscilloscope (DSO)?

Ans A.

The digital storage oscilloscope collects data only after triggering.

B. In DSO, the operating speed is low.

C. The resolution is low in DSO

D.

For higher-frequency signals, the DSO cannot produce bright images.

Question ID : **630680437112**

Option 1 ID : **6306801706365**

Option 2 ID : **6306801706367**

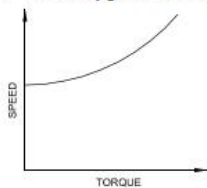
Option 3 ID : **6306801706368**

Option 4 ID : **6306801706366**

Status : **Not Answered**

Chosen Option : --

Q.80 To which type of DC motor is the speed torque characteristic shown below related?



Ans A. DC series motor

B. Cumulative compound motor

C. DC shunt motor

D. Differential compound motor

Question ID : **630680437124**

Option 1 ID : **6306801706413**

Option 2 ID : **6306801706415**

Option 3 ID : **6306801706414**

Option 4 ID : **6306801706416**

Status : **Answered**

Chosen Option : **D**

Q.81 What is the power factor of an AC load circuit, whose resistance is $10\ \Omega$ and reactance is $0.46\ \Omega$, when the supply is $220\ \text{V}$?

Ans A. Zero

B. 0.5

C. 1

D. 0.8

Question ID : **630680437101**

Option 1 ID : **6306801706321**

Option 2 ID : **6306801706322**

Option 3 ID : **6306801706324**

Option 4 ID : **6306801706323**

Status : **Answered**

Chosen Option : **C**

Q.82 What will be the battery rating after grouping 4 batteries of rating 8 Ah, each connected in parallel?

- Ans A. 2 Ah
 B. 32 Ah
 C. 8 Ah
 D. 16 Ah

Question ID : 630680437063
Option 1 ID : 6306801706169
Option 2 ID : 6306801706172
Option 3 ID : 6306801706170
Option 4 ID : 6306801706171
Status : Answered
Chosen Option : B

Q.83 According to the IE rules, the leakage current in an installation should NOT exceed ____ part of the full-load current of the installation.

- Ans A. 1/6
 B. 1/100
 C. 1/3000
 D. 1/5000

Question ID : 630680437096
Option 1 ID : 6306801706301
Option 2 ID : 6306801706302
Option 3 ID : 6306801706303
Option 4 ID : 6306801706304
Status : Answered
Chosen Option : D

Q.84 Which of the following power electronics devices produces the highest on-state voltage drop?

- Ans A. IGBT
 B. SCR
 C. MOSFET
 D. BJT

Question ID : 630680437173
Option 1 ID : 6306801706611
Option 2 ID : 6306801706609
Option 3 ID : 6306801706610
Option 4 ID : 6306801706612
Status : Answered
Chosen Option : C

Q.85 Which of the following devices directly produces DC supply from a DC generator that is rotated by an AC motor?

- Ans**
- A. Rotary converter
 - B. Mercury arc rectifier
 - C. Motor-generator set
 - D.

Which of the following is generated by corona effect, which may cause corrosion of the conductor due to chemical action in transmission overhead lines?

Question ID : 630680437146

Option 1 ID : 6306801706503

Option 2 ID : 6306801706502

Option 3 ID : 6306801706501

Option 4 ID : 6306801706504

Status : Answered

Chosen Option : C

Q.86 Which section of an automatic stabiliser is to be suspected when there is no output voltage at the output socket?

- Ans**
- A. Relay capacitor
 - B. Transformer
 - C. Input buck/boost relays
 - D. Electronic circuit

Question ID : 630680437175

Option 1 ID : 6306801706620

Option 2 ID : 6306801706619

Option 3 ID : 6306801706617

Option 4 ID : 6306801706618

Status : Answered

Chosen Option : C

Q.87 Which of the following quadrants represents the reverse braking decelerating quadrant with negative speed and positive torque?

- Ans**
- A. Quadrant III
 - B. Quadrant I
 - C. Quadrant II
 - D. Quadrant IV

Question ID : 630680437178

Option 1 ID : 6306801706631

Option 2 ID : 6306801706629

Option 3 ID : 6306801706630

Option 4 ID : 6306801706632

Status : Answered

Chosen Option : D

Q.88 A DC shunt motor operating on 230 V takes an armature current of 20 A at 1000 rpm. If its armature resistance is 1Ω , then what is the back EMF of the motor?

- Ans
- A. 110 V
 - B. 250 V
 - C. 190 V
 - D. 210 V

Question ID : 630680437122
Option 1 ID : 6306801706405
Option 2 ID : 6306801706408
Option 3 ID : 6306801706406
Option 4 ID : 6306801706407
Status : Answered
Chosen Option : D

Q.89 Which of the following is a disadvantage of the nickel-iron cell?

- Ans
- A. It can be left discharged for a long time.
 - B. It has high internal resistance.
 - C. It is light in weight and hence, it is portable.
 - D. It can work in higher temperatures.

Question ID : 630680437062
Option 1 ID : 6306801706168
Option 2 ID : 6306801706167
Option 3 ID : 6306801706165
Option 4 ID : 6306801706166
Status : Answered
Chosen Option : B

Q.90 Which of the following magnetising methods is used when the opposite poles of two magnets are placed next to each other at the centre of the magnetic substance and are rubbed in opposite direction along it?

- Ans
- A. Double-touch method
 - B. Single-touch method
 - C. Magnetising by electric current
 - D. Magnetising by induction

Question ID : 630680437119
Option 1 ID : 6306801706394
Option 2 ID : 6306801706393
Option 3 ID : 6306801706396
Option 4 ID : 6306801706395
Status : Answered
Chosen Option : A

Q.91 Which of the following types of motor is used to drive the drum switch?

- Ans**
- A. Steeper motor
 - B. Shaded-pole single-phase motor
 - C. Repulsion motor
 - D. DC series motor

Question ID : **630680437184**

Option 1 ID : **6306801706655**

Option 2 ID : **6306801706653**

Option 3 ID : **6306801706656**

Option 4 ID : **6306801706654**

Status : **Answered**

Chosen Option : **B**

Q.92 In a DC machine, the changes in the direction of current, which take place in the winding element, just before, during and after the short circuit, are called _____.

- Ans**
- A. compensation
 - B. commutation
 - C. de-magnetising effect
 - D. cross-magnetising

Question ID : **630680437081**

Option 1 ID : **6306801706243**

Option 2 ID : **6306801706242**

Option 3 ID : **6306801706241**

Option 4 ID : **6306801706244**

Status : **Answered**

Chosen Option : **B**

Q.93 Which of the following types of cables is constructed in a way similar to that of an ordinary solid type cable, except that it is triangular in shape and the thickness of its lead sheath is 75% of that of a solid cable?

- Ans**
- A. Oil-filled cable
 - B. Screened cable
 - C. Gas pressure cable
 - D. Single-core sheath channel

Question ID : **630680437050**

Option 1 ID : **6306801706119**

Option 2 ID : **6306801706120**

Option 3 ID : **6306801706118**

Option 4 ID : **6306801706117**

Status : **Answered**

Chosen Option : **C**

Q.94 Inverted V curves are drawn between the _____ of a synchronous motor.

- Ans
- A. field current and the field voltage
 - B. armature current and the field current
 - C. power factor and the field current
 - D. power factor and the armature current

Question ID : 630680437134
Option 1 ID : 6306801706456
Option 2 ID : 6306801706453
Option 3 ID : 6306801706455
Option 4 ID : 6306801706454
Status : Answered
Chosen Option : C

Q.95 Which of the following classes of squirrel-cage motor produces high starting torque?

- Ans
- A. Class D
 - B. Class F
 - C. Class A
 - D. Class B

Question ID : 630680437136
Option 1 ID : 6306801706463
Option 2 ID : 6306801706464
Option 3 ID : 6306801706461
Option 4 ID : 6306801706462
Status : Not Answered
Chosen Option : --

Q.96 What is the SI unit of resistivity in cable conductors?

- Ans
- A. Ω/m
 - B. $\Omega\cdot m$
 - C. $\Omega\cdot m/s$
 - D. $m\cdot s/\Omega$

Question ID : 630680437047
Option 1 ID : 6306801706105
Option 2 ID : 6306801706106
Option 3 ID : 6306801706107
Option 4 ID : 6306801706108
Status : Answered
Chosen Option : B

Q.97 Which of the following types of DC motors has shunt field coils connected in parallel with the series amalgamation of both the series field coil and the armature?

- Ans**
- A. Long-shunt compound motor
 - B. Short-shunt compound motor
 - C. DC shunt motor
 - D. DC series motor

Question ID : 630680437085
Option 1 ID : 6306801706260
Option 2 ID : 6306801706259
Option 3 ID : 6306801706258
Option 4 ID : 6306801706257
Status : Answered
Chosen Option : A

Q.98 Which of the following types of amplifier is used as a multi-vibrator?

- Ans**
- A. RC coupled amplifier
 - B. Low signal amplifier
 - C. Audio frequency amplifier
 - D. Class-A amplifier

Question ID : 630680437169
Option 1 ID : 6306801706593
Option 2 ID : 6306801706595
Option 3 ID : 6306801706596
Option 4 ID : 6306801706594
Status : Answered
Chosen Option : A

Q.99 Which of the following functions is NOT performed by the drum switch in decorative lighting?

- Ans**
- A. Running lights
 - B. Increasing illumination
 - C. Flash lights
 - D. Flickering lights

Question ID : 630680437183
Option 1 ID : 6306801706652
Option 2 ID : 6306801706651
Option 3 ID : 6306801706650
Option 4 ID : 6306801706649
Status : Not Answered
Chosen Option : --

Q.100 In a microwave oven, the coil of the _____ is initially energised by closing the cook switch.

- Ans
- A. thermo cut-out
 - B. dual-latch switch
 - C. timer assembly
 - D. cook relay

Question ID : 630680437076

Option 1 ID : 6306801706224

Option 2 ID : 6306801706223

Option 3 ID : 6306801706222

Option 4 ID : 6306801706221

Status : Answered

Chosen Option : D

Q.101 Which of the following is considered as a power amplifier?

- Ans
- A. VHF and UHF amplifiers
 - B. Large signal amplifier
 - C. Class-C amplifier
 - D. Impedance coupled amplifier

Question ID : 630680437168

Option 1 ID : 6306801706592

Option 2 ID : 6306801706590

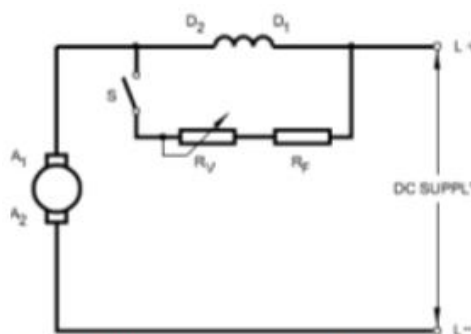
Option 3 ID : 6306801706591

Option 4 ID : 6306801706589

Status : Answered

Chosen Option : C

Q.102



Identify the speed control method that is shown in the above circuit.

- Ans
- A. Field tapping method
 - B. Armature diverter method
 - C. Field diverter method
 - D. Armature control method

Question ID : 630680437087

Option 1 ID : 6306801706267

Option 2 ID : 6306801706268

Option 3 ID : 6306801706266

Option 4 ID : 6306801706265

Status : Answered

Chosen Option : C

Q.103 How many cells of 1.5 V will be required for producing 21 V?

- Ans
- A. 9
 - B. 12
 - C. 14
 - D. 18

Question ID : 630680437066
Option 1 ID : 6306801706184
Option 2 ID : 6306801706183
Option 3 ID : 6306801706182
Option 4 ID : 6306801706181
Status : Answered
Chosen Option : C

Q.104 Which of the following is constructed through the resistor for taking different voltages for different parts?

- Ans
- A. Wheatstone bridge
 - B. Voltage divider
 - C. Transformer
 - D. Current controller

Question ID : 630680437070
Option 1 ID : 6306801706200
Option 2 ID : 6306801706199
Option 3 ID : 6306801706198
Option 4 ID : 6306801706197
Status : Answered
Chosen Option : B

Q.105 Which of the following AC winding designs uses a long coil of sufficient length and is first wound and then inserted in a slot?

- Ans
- A. Skein winding
 - B. Chain winding
 - C. Basket winding
 - D. Concentric winding

Question ID : 630680437141
Option 1 ID : 6306801706483
Option 2 ID : 6306801706484
Option 3 ID : 6306801706482
Option 4 ID : 6306801706481
Status : Answered
Chosen Option : A

Q.106 Variable-voltage variable-frequency drives are used for the efficient _____.

- Ans
- A. voltage control of DC generators
 - B. voltage control of AC generators
 - C. speed control of DC motors
 - D. speed control of AC motors

Question ID : 630680437176

Option 1 ID : 6306801706622

Option 2 ID : 6306801706624

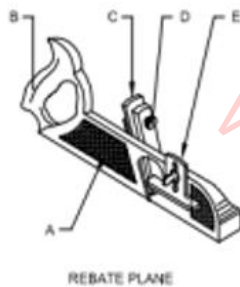
Option 3 ID : 6306801706621

Option 4 ID : 6306801706623

Status : Answered

Chosen Option : D

Q.107



Identify the part of the rebate plane, which is indicated by 'E' in the above figure.

- Ans
- A. Cap with a thumb screw
 - B. Depth gauge
 - C. Handle
 - D. Blade

Question ID : 630680437040

Option 1 ID : 6306801706080

Option 2 ID : 6306801706079

Option 3 ID : 6306801706077

Option 4 ID : 6306801706078

Status : Answered

Chosen Option : A

Q.108 In case of which of the following electric lamps can the light be obtained by discharge of electricity between two electrodes in gas or vapour?

- Ans
- A. Filament lamp
 - B. Hot cathode lamp
 - C. Arc lamp
 - D. Halogen lamp

Question ID : 630680437127

Option 1 ID : 6306801706428

Option 2 ID : 6306801706427

Option 3 ID : 6306801706425

Option 4 ID : 6306801706426

Status : Answered

Chosen Option : B

Q.109 Which of the following methods is NOT used for magnetising a material?

- Ans A. Method by using electric current
- B. Casting method
- C. Induction method
- D. Touch method

Question ID : 630680437068
Option 1 ID : 6306801706190
Option 2 ID : 6306801706191
Option 3 ID : 6306801706192
Option 4 ID : 6306801706189
Status : Answered
Chosen Option : B

Q.110 The voltage regulation is _____ and the efficiency is _____ in case of an ideal power transformer.

- Ans A. 100%; zero
- B. lower; 50%
- C. zero; 100%
- D. 50%; higher

Question ID : 630680437104
Option 1 ID : 6306801706336
Option 2 ID : 6306801706333
Option 3 ID : 6306801706335
Option 4 ID : 6306801706334
Status : Answered
Chosen Option : C

Q.111 What is the length of a copper cable if the cross-sectional area of the copper cable is $1.766 \mu\text{m}^2$, resistance is 0.3Ω and specific resistivity is $0.017 \mu\Omega\text{-m}$?

- Ans A. 16.25 m
- B. 42.15 m
- C. 28.56 m
- D. 31.2 m

Question ID : 630680437048
Option 1 ID : 6306801706109
Option 2 ID : 6306801706112
Option 3 ID : 6306801706110
Option 4 ID : 6306801706111
Status : Answered
Chosen Option : D

Q.112 How much charge is present in a battery of 1 Ah?

- Ans
- A. 360 C
 - B. 3600 C
 - C. 10 C
 - D. 60 C

Question ID : 630680437043
Option 1 ID : 6306801706091
Option 2 ID : 6306801706092
Option 3 ID : 6306801706089
Option 4 ID : 6306801706090
Status : Answered
Chosen Option : B

Q.113 Which of the following is an advantage of DC drives over AC drives?

- Ans
- A. Provide a short range of speed
 - B. No accessory mounting flanges
 - C. DC drives are more expensive
 - D. DC drives are less complex

Question ID : 630680437177
Option 1 ID : 6306801706628
Option 2 ID : 6306801706627
Option 3 ID : 6306801706626
Option 4 ID : 6306801706625
Status : Answered
Chosen Option : D

Q.114 Which of the following parts of the lead-acid cell is used to avoid short circuit between the positive and negative plates?

- Ans
- A. Separators
 - B. Post-terminal
 - C. Faure plate
 - D. Planté plates

Question ID : 630680437060
Option 1 ID : 6306801706159
Option 2 ID : 6306801706157
Option 3 ID : 6306801706160
Option 4 ID : 6306801706158
Status : Answered
Chosen Option : A

Q.115 Which of the following conditions must be fulfilled before electroplating an article?

- I. The article to be electroplated must have a chemically cleaned surface.
- II. The article to be electroplated must form a cathode.
- III. The metal to be coated must be kept out of the solution.

- Ans
- A. Only I and II must be fulfilled
 - B. Only II and III must be fulfilled
 - C. Only I and III must be fulfilled
 - D. All of I, II and III must be fulfilled

Question ID : 630680437058
Option 1 ID : 6306801706149
Option 2 ID : 6306801706151
Option 3 ID : 6306801706150
Option 4 ID : 6306801706152
Status : Not Answered
Chosen Option : --

Q.116 Which of the following is taken as the reference for BIS 732-1963 and NE codes?

- Ans
- A. Power plant design
 - B. Main switches and switchboards
 - C. Line diagram of GSS
 - D. Transmission lines

Question ID : 630680437093
Option 1 ID : 6306801706291
Option 2 ID : 6306801706289
Option 3 ID : 6306801706292
Option 4 ID : 6306801706290
Status : Not Answered
Chosen Option : --

Q.117 What is the part of a coil in an AC machine that lies in the slots of the core called?

- Ans
- A. Active side of a coil
 - B. Back side of a coil
 - C. Inactive side of a coil
 - D. Front side of a coil

Question ID : 630680437140
Option 1 ID : 6306801706478
Option 2 ID : 6306801706480
Option 3 ID : 6306801706477
Option 4 ID : 6306801706479
Status : Answered
Chosen Option : A

Q.118 Which of the following is an electronic circuit that is used to increase the level of weak input signals to convert them into very high output signals?

- Ans**
- A. Transistor as a switch
 - B. Parallel voltage regulator
 - C. Amplifier
 - D. Series voltage regulator

Question ID : **630680437166**
Option 1 ID : **6306801706581**
Option 2 ID : **6306801706583**
Option 3 ID : **6306801706584**
Option 4 ID : **6306801706582**
Status : **Answered**
Chosen Option : **C**

Q.119 In an air circuit breaker, the arc chute is divided into a number of small compartments by using metallic separation plates called _____.

- Ans**
- A. arc splitters
 - B. protection trip units
 - C. moving contacts
 - D. manual releasing levers

Question ID : **630680437154**
Option 1 ID : **6306801706535**
Option 2 ID : **6306801706534**
Option 3 ID : **6306801706533**
Option 4 ID : **6306801706536**
Status : **Answered**
Chosen Option : **D**

Q.120 Which type of fault is most difficult to trace and occurs in such a joint or terminator that has become loose?

- Ans**
- A. Earth fault
 - B. Short-circuit fault
 - C. Low-value series resistance fault
 - D. High-value series resistance fault

Question ID : **630680437098**
Option 1 ID : **6306801706311**
Option 2 ID : **6306801706312**
Option 3 ID : **6306801706309**
Option 4 ID : **6306801706310**
Status : **Not Answered**
Chosen Option : **--**

Q.121 What is the filament resistance value of a 100 W/250 V lamp?

- Ans
- A. 500 Ω
 - B. 625 Ω
 - C. 125 Ω
 - D. 250 Ω

Question ID : 630680437128
Option 1 ID : 6306801706431
Option 2 ID : 6306801706432
Option 3 ID : 6306801706429
Option 4 ID : 6306801706430
Status : Answered
Chosen Option : B

Q.122 Which of the following wiring systems requires cables of short length for installation?

- Ans
- A. Ring main system
 - B. Distribution board system
 - C. Direct conducting system
 - D. Tree system

Question ID : 630680437149
Option 1 ID : 6306801706514
Option 2 ID : 6306801706515
Option 3 ID : 6306801706516
Option 4 ID : 6306801706513
Status : Answered
Chosen Option : D

Q.123 Which of the following is an advantage of using MCBs in circuits?

- Ans
- A. Expensive
 - B. Faulty circuit can be easily identified.
 - C. They require regular testing to ensure satisfactory operation.
 - D. More mechanically moving parts

Question ID : 630680437074
Option 1 ID : 6306801706215
Option 2 ID : 6306801706213
Option 3 ID : 6306801706216
Option 4 ID : 6306801706214
Status : Answered
Chosen Option : B

Q.124 Identify whether the following statements are true or false.

- I. To increase the range of an ammeter, we need to connect a small shunt resistance in parallel with the ammeter.
II. To increase the range of a voltmeter, we need to connect a high series of multiplier resistance in series with the voltmeter.

- Ans**
- A. Statement I is true, but Statement II is false.
 - B. Both statements I and II are false.
 - C. Both statements I and II are true.
 - D. Statement II is true, but Statement I is false.

Question ID : **630680437111**
Option 1 ID : **6306801706361**
Option 2 ID : **6306801706364**
Option 3 ID : **6306801706363**
Option 4 ID : **6306801706362**
Status : **Answered**
Chosen Option : **C**

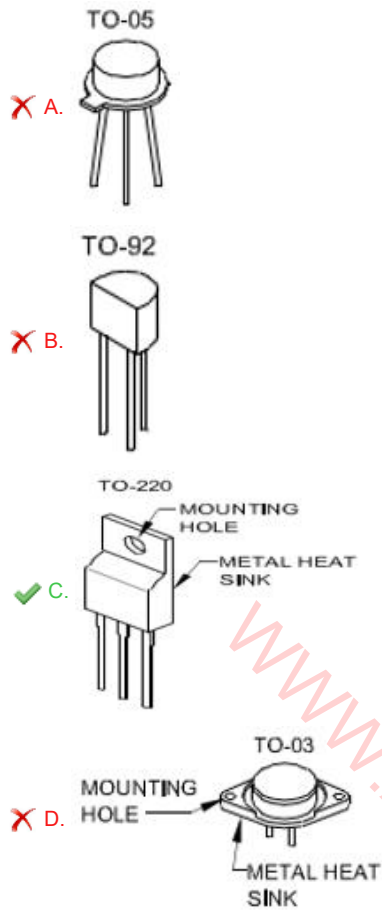
Q.125 Which of the following parts of the transformer is used for connecting incoming and outgoing cables of supply and load?

- Ans**
- A. Buchholz relay
 - B. Terminals and bushings
 - C. Windings
 - D. Tap changer

Question ID : **630680437106**
Option 1 ID : **6306801706343**
Option 2 ID : **6306801706344**
Option 3 ID : **6306801706342**
Option 4 ID : **6306801706341**
Status : **Answered**
Chosen Option : **B**

Q.126 Which of the following figures correctly shows the physical appearance of SCR?

Ans



Question ID : 630680437162

Option 1 ID : 6306801706567

Option 2 ID : 6306801706566

Option 3 ID : 6306801706565

Option 4 ID : 6306801706568

Status : Answered

Chosen Option : C

Q.127 What is indicated by the following mandatory sign?



Ans

- A. Wear respirator
- B. Use adjustable guard
- C. Wear safety harness
- D. Wear eye protection

Question ID : 630680437036

Option 1 ID : 6306801706063

Option 2 ID : 6306801706062

Option 3 ID : 6306801706061

Option 4 ID : 6306801706064

Status : Answered

Chosen Option : A

Q.128 What is the nominal value of resistance $200 \pm 10\%$ with 2 W?

- Ans A. 200 Ω
 B. 400 Ω
 C. 180 Ω
 D. 220 Ω

Question ID : 630680437071
Option 1 ID : 6306801706202
Option 2 ID : 6306801706204
Option 3 ID : 6306801706203
Option 4 ID : 6306801706201
Status : Answered
Chosen Option : D

Q.129 Which of the following is considered under the category of radio frequency amplifiers?

- Ans A. Output
 B. Transistor configuration
 C. Coupling
 D. Frequency response

Question ID : 630680437167
Option 1 ID : 6306801706586
Option 2 ID : 6306801706585
Option 3 ID : 6306801706587
Option 4 ID : 6306801706588
Status : Answered
Chosen Option : D

Q.130 Which of the following statements regarding Ohm's law is/are correct?

- I. Ohm's law gives the relation between the voltage, current and resistance of a circuit.
II. Ohm's law states that the ratio of the voltage (V) across any two points of a circuit to the current (I) flowing through it is constant, provided physical conditions, such as temperature, etc., remain constant.
III. In any electrical closed circuit, the current (I) is directly proportional to the voltage (V) and the resistance (R) at constant temperature.

- Ans A. Only I and III are correct
 B. Only I and II are correct
 C. Only I is correct
 D. Only II and III are correct

Question ID : 630680437054
Option 1 ID : 6306801706134
Option 2 ID : 6306801706133
Option 3 ID : 6306801706136
Option 4 ID : 6306801706135
Status : Answered
Chosen Option : B

Q.131 What is the percentage slip at rated load of a 400 V, 3-phase, 8-pole, 50 Hz squirrel-cage motor if the full-load speed is 720 rpm?

- Ans
- A. 2%
 - B. 4%
 - C. 12%
 - D. 8%



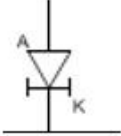

Question ID : 630680437137
 Option 1 ID : 6306801706465
 Option 2 ID : 6306801706466
 Option 3 ID : 6306801706468
 Option 4 ID : 6306801706467
 Status : Answered
 Chosen Option : B

Q.132 Which of the following is the correct representation of $1/1000000 \Omega$?

- Ans
- A. 1 k Ω
 - B. 1 $\mu\Omega$
 - C. 1 M Ω
 - D. 1 m Ω

Question ID : 630680437044
 Option 1 ID : 6306801706094
 Option 2 ID : 6306801706096
 Option 3 ID : 6306801706093
 Option 4 ID : 6306801706095
 Status : Answered
 Chosen Option : B

Q.133 Which of the following symbols represents varicap?

- Ans
- A. 
 - B. 
 - C. 
 - D. 

Question ID : 630680437159
 Option 1 ID : 6306801706553
 Option 2 ID : 6306801706554
 Option 3 ID : 6306801706556
 Option 4 ID : 6306801706555
 Status : Answered
 Chosen Option : B

Q.134 What is the ECE of silver if 111.83 mg of silver is deposited on the cathode in 3 minutes 20 seconds by DC current of 0.5 A?

- Ans A. 1.863 mg/C
 B. 1.1183 mg/C
 C. 2.365 mg/C
 D. 0.983 mg/C

Question ID : 630680437059
 Option 1 ID : 6306801706155
 Option 2 ID : 6306801706154
 Option 3 ID : 6306801706156
 Option 4 ID : 6306801706153
 Status : Answered
 Chosen Option : B

Q.135 If voltage (V_t) = $V_m \sin \omega t$ and current (I_t) = $I_m \sin (\omega t + \Phi)$, then the voltage and current equations are in _____.

- Ans A. in-phase wave
 B. leading phased wave
 C. opposite phase wave
 D. lagging phase wave

Question ID : 630680437115
 Option 1 ID : 6306801706377
 Option 2 ID : 6306801706379
 Option 3 ID : 6306801706380
 Option 4 ID : 6306801706378
 Status : Answered
 Chosen Option : B

Q.136 Which of the following conditions is correct for the normal operation of a transistor amplifier circuit?

- Ans A.
 Forward bias on the emitter base junction and reverse bias on the collector base junction
 B.
 Forward bias on the emitter base junction and forward bias on the collector base junction
 C.
 Reverse bias on the emitter base junction and reverse bias on the collector base junction
 D.
 Reverse bias on the emitter base junction and forward bias on the collector base junction

Question ID : 630680437164
 Option 1 ID : 6306801706573
 Option 2 ID : 6306801706575
 Option 3 ID : 6306801706576
 Option 4 ID : 6306801706574
 Status : Answered
 Chosen Option : A

Q.137 What is the speed of a wave-wound DC motor with 4 poles if the back EMF is 220 V generated with the flux of 0.025 Wb per pole on 782 armature conductor?

- Ans
- A. 457 rpm
 - B. 268 rpm
 - C. 338 rpm
 - D. 396 rpm

Question ID : **630680437083**
Option 1 ID : **6306801706252**
Option 2 ID : **6306801706249**
Option 3 ID : **6306801706250**
Option 4 ID : **6306801706251**
Status : **Answered**
Chosen Option : **C**

Q.138 Which type of power is known as watt-less power?

- Ans
- A. Active power
 - B. DC power
 - C. Apparent power
 - D. Reactive power

Question ID : **630680437102**
Option 1 ID : **6306801706325**
Option 2 ID : **6306801706327**
Option 3 ID : **6306801706328**
Option 4 ID : **6306801706326**
Status : **Answered**
Chosen Option : **D**

Q.139 According to the distribution board system of wiring, where is it not allowed to have a joint in the cable route?

- Ans
- A. Switches
 - B. Joint boxes
 - C. Line in the wall
 - D. Ceiling roses

Question ID : **630680437150**
Option 1 ID : **6306801706517**
Option 2 ID : **6306801706519**
Option 3 ID : **6306801706520**
Option 4 ID : **6306801706518**
Status : **Answered**
Chosen Option : **C**

Q.140 In case of a luminous body the energy radiated per second, which is in the form of light waves, is known as _____.

- Ans
- A. candela
 - B. luminous density
 - C. luminous flux
 - D. luminous intensity

Question ID : 630680437125
Option 1 ID : 6306801706420
Option 2 ID : 6306801706419
Option 3 ID : 6306801706417
Option 4 ID : 6306801706418
Status : Answered
Chosen Option : C

Q.141 Which of the following is generated by corona effect, which may cause corrosion of the conductor due to chemical action in transmission overhead lines?

- Ans
- A. Heating
 - B. Hissing noise
 - C. Loss of energy
 - D. Ozone

Question ID : 630680437155
Option 1 ID : 6306801706539
Option 2 ID : 6306801706540
Option 3 ID : 6306801706537
Option 4 ID : 6306801706538
Status : Answered
Chosen Option : B

Q.142 Find the full-load current of a $\frac{1}{2}$ HP motor operated on 240 V with 85% efficiency and the power factor 0.8.

- Ans
- A. 7.8 A
 - B. 1.65 A
 - C. 2.25 A
 - D. 4.68 A

Question ID : 630680437095
Option 1 ID : 6306801706297
Option 2 ID : 6306801706300
Option 3 ID : 6306801706299
Option 4 ID : 6306801706298
Status : Answered
Chosen Option : C

Q.143 The narrow and thin part of a file that fits into the handle is known as _____.

- Ans
- A. edge
 - B. heel
 - C. tang
 - D. Point

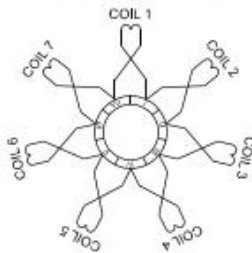
Question ID : 630680437038
 Option 1 ID : 6306801706070
 Option 2 ID : 6306801706071
 Option 3 ID : 6306801706072
 Option 4 ID : 6306801706069
 Status : Not Answered
 Chosen Option : --

Q.144 Two-way switches are generally used for _____.

- Ans
- A. staircase lighting
 - B. street lighting
 - C. decorative lighting
 - D. the main lighting of a house

Question ID : 630680437117
 Option 1 ID : 6306801706387
 Option 2 ID : 6306801706388
 Option 3 ID : 6306801706386
 Option 4 ID : 6306801706385
 Status : Answered
 Chosen Option : A

Q.145 Identify the winding diagram shown below.



- Ans
- A. Wave ring diagram
 - B. Lap ring diagram
 - C. Wave sequence diagram
 - D. Lap sequence diagram

Question ID : 630680437130
 Option 1 ID : 6306801706439
 Option 2 ID : 6306801706437
 Option 3 ID : 6306801706440
 Option 4 ID : 6306801706438
 Status : Answered
 Chosen Option : A

Q.146 Which of the following types of methods is suitable when repairs, alterations or additions to a cable network are to be made without opening the ground?

- Ans
- A. Laying the cables along buildings
 - B. Laying the cables on racks in air
 - C. Drawing the cables directly in ground
 - D. Drawing the cables into duct pipes

Question ID : **630680437052**

Option 1 ID : **6306801706125**

Option 2 ID : **6306801706126**

Option 3 ID : **6306801706128**

Option 4 ID : **6306801706127**

Status : **Answered**

Chosen Option : **D**

Q.147 Find the efficiency of a 3-phase, 400 V, 50 Hz delta-wound induction motor which has the line current of 150 A flowing through it at power factor 0.85 and which gives the output of 100 HP.

- Ans
- A. 55.5%
 - B. 83.3%
 - C. 91.2%
 - D. 75.3%

Question ID : **630680437138**

Option 1 ID : **6306801706469**

Option 2 ID : **6306801706471**

Option 3 ID : **6306801706472**

Option 4 ID : **6306801706470**

Status : **Answered**

Chosen Option : **B**

Q.148 Which of the following methods of starting makes a synchronous motor work as a squirrel-cage induction motor?

- Ans
- A. By using synchronisation
 - B. By using a pony motor
 - C. By starting with the damper winding
 - D. By using a man hand roller

Question ID : **630680437132**

Option 1 ID : **6306801706447**

Option 2 ID : **6306801706446**

Option 3 ID : **6306801706445**

Option 4 ID : **6306801706448**

Status : **Answered**

Chosen Option : **C**

Q.149 What happens when the equipment works with a low power factor?

- Ans
- A. Increase in the power capability of the power system
 - B. Reduction in the current
 - C. Reduction in the cost of power
 - D. Overloading of cables and the transformer

Question ID : 630680437135
Option 1 ID : 6306801706459
Option 2 ID : 6306801706457
Option 3 ID : 6306801706458
Option 4 ID : 6306801706460
Status : Answered
Chosen Option : D

Q.150 According to the right-hand palm rule, if the finger points in the direction of current in a solenoid conductor, then the thumb indicates the direction of _____.

- Ans
- A. EMF
 - B. intensity
 - C. force
 - D. magnetic field

Question ID : 630680437069
Option 1 ID : 6306801706194
Option 2 ID : 6306801706196
Option 3 ID : 6306801706195
Option 4 ID : 6306801706193
Status : Answered
Chosen Option : D