



# UTTAR PRADESH POWER CORPORATION LTD.

|                  |  |
|------------------|--|
| Participant ID   | <a href="http://WWW.ALLEXAMREVIEW.COM">WWW.ALLEXAMREVIEW.COM</a> |
| Participant Name |  |
| Test Center Name |  |
| Test Date        | 10/11/2023   |
| Test Time        | 9:00 AM - 12:00 PM   |
| Subject          | Technician Electrical  |

Section : Computer Knowledge - CCC Level of NIELIT

Q.1 Who is known as the 'father of computing'?

- Ans
- A. John Napier
  - B. Gottfried Leibniz
  - C. Edmund Gunter
  - D. Charles Babbage

Question ID : 630680424383  
Option 1 ID : 6306801655862  
Option 2 ID : 6306801655861  
Option 3 ID : 6306801655860  
Option 4 ID : 6306801655859

Status : Answered

Chosen Option : D

Q.2 Which of the following is the most common example of Wide Area Network?

- Ans
- A. Ethernet
  - B. Internet
  - C. Token ring
  - D. World Wide Web

Question ID : 630680424394  
Option 1 ID : 6306801655904  
Option 2 ID : 6306801655903  
Option 3 ID : 6306801655905  
Option 4 ID : 6306801655906

Status : Not Answered

Chosen Option : --

Q.3 Email stands for \_\_\_\_\_.

- Ans
- A. Enabled Mail
  - B. Electronic Material
  - C. Electronic Malfunction
  - D. Electronic Mail

Question ID : 630680424414  
Option 1 ID : 6306801655986  
Option 2 ID : 6306801655985  
Option 3 ID : 6306801655983  
Option 4 ID : 6306801655984  
Status : Answered  
Chosen Option : D

Q.4 Which of the following is NOT a web browser?

- Ans
- A. Mozilla Firefox
  - B. Google Chrome
  - C. iTunes
  - D. Microsoft Edge

Question ID : 630680424412  
Option 1 ID : 6306801655977  
Option 2 ID : 6306801655976  
Option 3 ID : 6306801655975  
Option 4 ID : 6306801655978  
Status : Answered  
Chosen Option : C

Q.5 MS-Word 2010 supports the font size range that lies between \_\_\_\_\_ and \_\_\_\_\_.

- Ans
- A. 1, 1638
  - B. 1, 3600
  - C. 1, 4500
  - D. 1, 409

Question ID : 630680424404  
Option 1 ID : 6306801655944  
Option 2 ID : 6306801655945  
Option 3 ID : 6306801655946  
Option 4 ID : 6306801655943  
Status : Answered  
Chosen Option : A

**Q.6** Which of the following keyboard combinations is used to add a sheet in MS-Excel 2010?

- Ans**
- A. Alt + H + I + S
  - B. Alt + H + I + R
  - C. Alt + I + M + R
  - D. Alt + I + O + R

Question ID : **630680424405**  
Option 1 ID : **6306801655949**  
Option 2 ID : **6306801655947**  
Option 3 ID : **6306801655950**  
Option 4 ID : **6306801655948**  
Status : **Not Answered**  
Chosen Option : --

**Q.7** The number of pixels in horizontal and vertical direction on a VDU screen is known as \_\_\_\_\_.

- Ans**
- A. refresh rate
  - B. resolution
  - C. dot pitch
  - D. small pitch

Question ID : **630680424385**  
Option 1 ID : **6306801655870**  
Option 2 ID : **6306801655867**  
Option 3 ID : **6306801655868**  
Option 4 ID : **6306801655869**  
Status : **Answered**  
Chosen Option : **B**

**Q.8** Which of the following groups in the Insert tab contains the header and footer features in MS-PowerPoint 2010?

- Ans**
- A. Links
  - B. Illustrations
  - C. Text
  - D. Add-ins

Question ID : **630680424418**  
Option 1 ID : **6306801656001**  
Option 2 ID : **6306801656000**  
Option 3 ID : **6306801656002**  
Option 4 ID : **6306801655999**  
Status : **Not Answered**  
Chosen Option : --

Q.9 The information stored in RAM can be checked with the help of \_\_\_\_\_.

- Ans
- A. Kernel
  - B. BIOS
  - C. CMOS
  - D. Hard disk

Question ID : 630680424387  
Option 1 ID : 6306801655878  
Option 2 ID : 6306801655877  
Option 3 ID : 6306801655876  
Option 4 ID : 6306801655875  
Status : Not Answered  
Chosen Option : --

Q.10 What is the full form of CVN in credit cards?

- Ans
- A. Card Verification News
  - B. Card Verification Number
  - C. Card Verification Noun
  - D. Card Verification Nation

Question ID : 630680424432  
Option 1 ID : 6306801656058  
Option 2 ID : 6306801656055  
Option 3 ID : 6306801656057  
Option 4 ID : 6306801656056  
Status : Answered  
Chosen Option : B

Q.11 Which of the following keyboard shortcuts is used to center align text in MS-Word 2010?

- Ans
- A. Ctrl + C
  - B. Ctrl + E
  - C. Ctrl + M
  - D. Ctrl + I

Question ID : 630680424401  
Option 1 ID : 6306801655931  
Option 2 ID : 6306801655932  
Option 3 ID : 6306801655933  
Option 4 ID : 6306801655934  
Status : Answered  
Chosen Option : B

Q.12 Which of the following is NOT an example of application software?

- Ans
- A. MySQL
  - B. Adobe Photoshop
  - C. MS-Word
  - D. Linux

Question ID : 630680424386  
Option 1 ID : 6306801655873  
Option 2 ID : 6306801655874  
Option 3 ID : 6306801655871  
Option 4 ID : 6306801655872  
Status : Answered  
Chosen Option : D

Q.13 The \_\_\_\_ feature allows you to remove the selected text from a document and temporarily place it on the MS-Office 2010 Clipboard.

- Ans
- A. Paste Special
  - B. Copy
  - C. Cut
  - D. Paste

Question ID : 630680424400  
Option 1 ID : 6306801655930  
Option 2 ID : 6306801655928  
Option 3 ID : 6306801655927  
Option 4 ID : 6306801655929  
Status : Answered  
Chosen Option : C

Q.14 Which of the following keyboard combinations is used to rename a sheet in MS-Excel 2010?

- Ans
- A. Alt + H + O + R
  - B. Alt + L + M + R
  - C. Alt + I + O + R
  - D. Alt + H + L + R

Question ID : 630680424410  
Option 1 ID : 6306801655967  
Option 2 ID : 6306801655970  
Option 3 ID : 6306801655968  
Option 4 ID : 6306801655969  
Status : Not Answered  
Chosen Option : --

Q.15 Which of the following statements is/are FALSE?

- (i) M2M system uses point-to-point communication between machines, sensors and hardware over cellular or wired networks.  
(ii) IoT systems rely on IP-based networks to send data collected from IoT-connected devices to gateways, the cloud or middleware platforms.

- Ans  A. Neither (i) nor (ii)  
 B. Only (i)  
 C. Both (i) and (ii)  
 D. Only (ii)

Question ID : 630680424429  
Option 1 ID : 6306801656046  
Option 2 ID : 6306801656043  
Option 3 ID : 6306801656045  
Option 4 ID : 6306801656044  
Status : Answered  
Chosen Option : A

Q.16 Which of the following is a routine in operating systems that loads an object program and prepares it for execution?

- Ans  A. Linker  
 B. Loader  
 C. Compiler  
 D. Assembler

Question ID : 630680424426  
Option 1 ID : 6306801656031  
Option 2 ID : 6306801656034  
Option 3 ID : 6306801656032  
Option 4 ID : 6306801656033  
Status : Not Answered  
Chosen Option : --

Q.17 The core part of the Linux operating system is referred to as \_\_\_\_\_.

- Ans  A. power shell  
 B. terminal  
 C. kernel  
 D. core

Question ID : 630680424421  
Option 1 ID : 6306801656013  
Option 2 ID : 6306801656014  
Option 3 ID : 6306801656012  
Option 4 ID : 6306801656011  
Status : Answered  
Chosen Option : C

**Q.18** Which of the following actions does NOT allow others to make structural changes to your workbook such as moving, deleting or adding sheets in MS-Excel 2010?

- Ans**
- A. Protect Workbook
  - B. Shield Workbook
  - C. Protect Data
  - D. Shield Edit Ranges

Question ID : 630680424406  
Option 1 ID : 6306801655952  
Option 2 ID : 6306801655953  
Option 3 ID : 6306801655951  
Option 4 ID : 6306801655954  
Status : Answered  
Chosen Option : A

**Q.19** A computer software that translates source code written in a high-level language into a set of machine language instructions is known as \_\_\_\_\_.

- Ans**
- A. compiler
  - B. operating systems
  - C. firmware
  - D. device driver

Question ID : 630680424388  
Option 1 ID : 6306801655880  
Option 2 ID : 6306801655882  
Option 3 ID : 6306801655879  
Option 4 ID : 6306801655881  
Status : Answered  
Chosen Option : A

**Q.20** Which of the following sequences of steps is used to add ClipArt pictures in MS-PowerPoint 2010?

- Ans**
- A. Insert → Stock Pictures
  - B. Insert → Stock Images
  - C. Insert → Images
  - D. Insert → Picture

Question ID : 630680424417  
Option 1 ID : 6306801655998  
Option 2 ID : 6306801655997  
Option 3 ID : 6306801655995  
Option 4 ID : 6306801655996  
Status : Answered  
Chosen Option : D

**Q.21** Which of the following is the very first screen/component that you will see once the Windows operating system has loaded?

- Ans**
- A. Calendar
  - B. Calculator
  - C. Desktop
  - D. Control Panel

Question ID : 630680424390  
Option 1 ID : 6306801655889  
Option 2 ID : 6306801655890  
Option 3 ID : 6306801655888  
Option 4 ID : 6306801655887  
Status : Answered  
Chosen Option : C

**Q.22** What is the full form of IoT?

- Ans**
- A. Internet of Things
  - B. Internet of Theory
  - C. Intranet of Theory
  - D. Intranet of Things

Question ID : 630680424428  
Option 1 ID : 6306801656040  
Option 2 ID : 6306801656041  
Option 3 ID : 6306801656042  
Option 4 ID : 6306801656039  
Status : Answered  
Chosen Option : A

**Q.23** \_\_\_\_\_ is a temporary storage space for deleted files and can be seen on the Windows desktop.

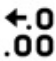
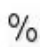
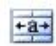
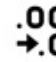
- Ans**
- A. This PC
  - B. Recycle Bin
  - C. Network
  - D. MS-Word

Question ID : 630680424420  
Option 1 ID : 6306801656007  
Option 2 ID : 6306801656009  
Option 3 ID : 6306801656010  
Option 4 ID : 6306801656008  
Status : Answered  
Chosen Option : B



**Q.24** Which of the following icons is used to show fewer digits after the decimal point in an MS-Excel 2010 cell containing a number?

Ans

- A. 
- B. 
- C. 
- D. 

Question ID : 630680424408

Option 1 ID : 6306801655959

Option 2 ID : 6306801655961

Option 3 ID : 6306801655962

Option 4 ID : 6306801655960

Status : Not Answered

Chosen Option : --

**Q.25** The full form of JPEG is \_\_\_\_\_.

Ans

- A. Joint Portable Expert Group
- B. Joint Photo Experts Group
- C. Portable Document Format
- D. Joint Photographic Experts Group

Question ID : 630680424396

Option 1 ID : 6306801655914

Option 2 ID : 6306801655911

Option 3 ID : 6306801655913

Option 4 ID : 6306801655912

Status : Answered

Chosen Option : D

**Q.26** Which of the following sequences of steps must be carried out to create an MS-Word 2010 document?

Ans

- A. File → Create → Blank document
- B. File → Create → Document
- C. File → New → Blank document
- D. File → New → Document

Question ID : 630680424397

Option 1 ID : 6306801655916

Option 2 ID : 6306801655915

Option 3 ID : 6306801655918

Option 4 ID : 6306801655917

Status : Answered

Chosen Option : C

**Q.27** Which of the following options is NOT used to add text to a slide in MS-PowerPoint 2010?

- Ans**
- A. Textbox
  - B. ClipArt
  - C. Part of the shape
  - D. Placeholder

Question ID : 630680424416  
Option 1 ID : 6306801655991  
Option 2 ID : 6306801655993  
Option 3 ID : 6306801655994  
Option 4 ID : 6306801655992  
Status : Not Answered  
Chosen Option : --

**Q.28** Which of the following keyboard shortcuts is used for formatting a worksheet using 'Format as Table' style in MS-Excel 2010?

- Ans**
- A. Ctrl + H + T
  - B. Alt + I + T
  - C. Ctrl + I + T
  - D. Alt + H + T

Question ID : 630680424407  
Option 1 ID : 6306801655956  
Option 2 ID : 6306801655957  
Option 3 ID : 6306801655955  
Option 4 ID : 6306801655958  
Status : Not Answered  
Chosen Option : --

**Q.29** Which of the following tabs on the MS-Word 2010 ribbon contains paragraph indent options?

- Ans**
- A. Mailings
  - B. Insert
  - C. References
  - D. Home

Question ID : 630680424402  
Option 1 ID : 6306801655937  
Option 2 ID : 6306801655935  
Option 3 ID : 6306801655938  
Option 4 ID : 6306801655936  
Status : Answered  
Chosen Option : D

**Q.30** Which keyboard shortcut is used to switch between windows in the same order as they have been opened in Microsoft Windows?

- Ans
- A. Alt + End
  - B. Alt + Ctrl
  - C. Alt + Spacebar
  - D. Alt + Esc

Question ID : 630680424391  
Option 1 ID : 6306801655892  
Option 2 ID : 6306801655893  
Option 3 ID : 6306801655894  
Option 4 ID : 6306801655891  
Status : Not Answered  
Chosen Option : --

**Q.31** In the context of creation of email messages, the Bcc field can be used to send copies of an email to multiple people without displaying any of their names or email IDs. What is the full form of Bcc?

- Ans
- A. Blind Carbon Copy
  - B. Blind Can Communicate
  - C. Black Carbon Communication
  - D. Black Carbon Copy

Question ID : 630680424424  
Option 1 ID : 6306801656026  
Option 2 ID : 6306801656024  
Option 3 ID : 6306801656025  
Option 4 ID : 6306801656023  
Status : Answered  
Chosen Option : A

**Q.32** Identify whether the given statements with reference to characteristics of computers are true or false.

- i) Automation is the use of technology to complete a task with as little human interaction as possible.
- ii) Reliability refers to the capability of giving consistent results for similar sets of data.

- Ans
- A. (i) FALSE (ii) FALSE
  - B. (i) TRUE (ii) TRUE
  - C. (i) TRUE (ii) FALSE
  - D. (i) FALSE (ii) TRUE

Question ID : 630680424389  
Option 1 ID : 6306801655886  
Option 2 ID : 6306801655883  
Option 3 ID : 6306801655884  
Option 4 ID : 6306801655885  
Status : Answered  
Chosen Option : B

**Q.33** IoTWF architectural committee published 7-layer IoT architectural reference model in \_\_\_\_\_.

- Ans**
- A. 2012
  - B. 2010
  - C. 2014
  - D. 2015

Question ID : **630680424430**  
Option 1 ID : **6306801656048**  
Option 2 ID : **6306801656047**  
Option 3 ID : **6306801656049**  
Option 4 ID : **6306801656050**  
Status : **Not Answered**  
Chosen Option : --

**Q.34** Which of the following option is used to display the content of active cell in MS-Excel 2010?

- Ans**
- A. Ruler
  - B. Title bar
  - C. Scroll bar
  - D. Formula bar

Question ID : **630680424427**  
Option 1 ID : **6306801656037**  
Option 2 ID : **6306801656038**  
Option 3 ID : **6306801656035**  
Option 4 ID : **6306801656036**  
Status : **Answered**  
Chosen Option : **D**

**Q.35** Which of the following keyboard shortcuts is NOT used in MS-Word 2010 for formatting text?

- Ans**
- A. Ctrl + O
  - B. Ctrl + U
  - C. Ctrl + B
  - D. Ctrl + I

Question ID : **630680424399**  
Option 1 ID : **6306801655925**  
Option 2 ID : **6306801655926**  
Option 3 ID : **6306801655923**  
Option 4 ID : **6306801655924**  
Status : **Answered**  
Chosen Option : **A**

**Q.36** \_\_\_\_\_ is a computer network used to connect computers in a small area spread up to a few kilometers.

- Ans**
- A. Personal Area Network
  - B. Wide Area Network
  - C. Local Area Network
  - D. Enterprise Private Network

Question ID : **630680424393**  
Option 1 ID : **6306801655899**  
Option 2 ID : **6306801655901**  
Option 3 ID : **6306801655900**  
Option 4 ID : **6306801655902**  
Status : **Not Answered**  
Chosen Option : --

**Q.37** \_\_\_\_\_ is a global communication system that links together thousands of individual networks and is also known as a network of networks.

- Ans**
- A. Internet
  - B. CERN
  - C. HTTP
  - D. Web

Question ID : **630680424395**  
Option 1 ID : **6306801655910**  
Option 2 ID : **6306801655908**  
Option 3 ID : **6306801655909**  
Option 4 ID : **6306801655907**  
Status : **Answered**  
Chosen Option : **A**

**Q.38** Which of the following browsers was released in 2008 for Microsoft Windows?

- Ans**
- A. Microsoft Edge
  - B. Opera
  - C. Google Chrome
  - D. Mozilla Firefox

Question ID : **630680424413**  
Option 1 ID : **6306801655980**  
Option 2 ID : **6306801655979**  
Option 3 ID : **6306801655982**  
Option 4 ID : **6306801655981**  
Status : **Not Answered**  
Chosen Option : --

**Q.39** The keyboard shortcut \_\_\_\_\_ is used to enter the current date in a cell of MS-Excel 2010.

- Ans**
- A. Ctrl + ;
  - B. Alt + >
  - C. Ctrl + >
  - D. Alt + ;

Question ID : **630680424409**  
Option 1 ID : **6306801655963**  
Option 2 ID : **6306801655966**  
Option 3 ID : **6306801655965**  
Option 4 ID : **6306801655964**  
Status : **Answered**  
Chosen Option : **A**

**Q.40** In 1950, \_\_\_\_\_ a mathematician and a computing pioneer, proposed the "Imitation test".

- Ans**
- A. Alan Turing
  - B. Geoffrey Hinton
  - C. Tim Berners-Lee
  - D. Vint Cerf

Question ID : **630680424431**  
Option 1 ID : **6306801656051**  
Option 2 ID : **6306801656053**  
Option 3 ID : **6306801656052**  
Option 4 ID : **6306801656054**  
Status : **Not Answered**  
Chosen Option : **--**

**Q.41** Which of the following is NOT a component of a Central Processing Unit (CPU)?

- Ans**
- A. Control unit
  - B. Arithmetic logic unit
  - C. Registers
  - D. Control bus

Question ID : **630680424384**  
Option 1 ID : **6306801655864**  
Option 2 ID : **6306801655866**  
Option 3 ID : **6306801655863**  
Option 4 ID : **6306801655865**  
Status : **Answered**  
Chosen Option : **D**

Q.42 What does the taskbar in Windows 10 do?

Ans  A.

Shows you only those programs that you have installed on the computer

B. Shows you all the programs you have currently opened

C.

Shows you only the programs you used the last two times you were on the computer

D.

Shows you every program you have ever used on the computer

Question ID : 630680424392

Option 1 ID : 6306801655898

Option 2 ID : 6306801655895

Option 3 ID : 6306801655896

Option 4 ID : 6306801655897

Status : Answered

Chosen Option : B

Q.43 You can choose to create \_\_\_\_\_ that will appear at the end of every email you send.

Ans  A. formatting options

B. attachments

C. a signature

D. a subject

Question ID : 630680424423

Option 1 ID : 6306801656021

Option 2 ID : 6306801656019

Option 3 ID : 6306801656022

Option 4 ID : 6306801656020

Status : Answered

Chosen Option : C

Q.44 An email address consists of a user ID followed by the \_\_\_\_\_ symbol and the name of the email service provider.

Ans  A. #

B. \$

C. &

D. @

Question ID : 630680424422

Option 1 ID : 6306801656017

Option 2 ID : 6306801656016

Option 3 ID : 6306801656018

Option 4 ID : 6306801656015

Status : Answered

Chosen Option : D

**Q.45** Which of the following options is NOT provided by MS-Word 2010 to change the case of selected text in a document?

- Ans**
- A. Uppercase
  - B. Sentence case
  - C. Word case
  - D. Lowercase

Question ID : 630680424403  
Option 1 ID : 6306801655940  
Option 2 ID : 6306801655942  
Option 3 ID : 6306801655941  
Option 4 ID : 6306801655939  
Status : Answered  
Chosen Option : C

**Q.46** Which of the following is the keyboard shortcut is used to close a MS-Word 2010 document?

- Ans**
- A. Ctrl + P
  - B. Ctrl + W
  - C. Ctrl + O
  - D. Ctrl + X

Question ID : 630680424398  
Option 1 ID : 6306801655919  
Option 2 ID : 6306801655921  
Option 3 ID : 6306801655922  
Option 4 ID : 6306801655920  
Status : Answered  
Chosen Option : B

**Q.47** In MS-PowerPoint 2010, \_\_\_\_\_ is a pattern or blueprint of a slide or group of slides that you save as a .potx file.

- Ans**
- A. icon
  - B. layout
  - C. design
  - D. template

Question ID : 630680424415  
Option 1 ID : 6306801655987  
Option 2 ID : 6306801655989  
Option 3 ID : 6306801655990  
Option 4 ID : 6306801655988  
Status : Not Answered  
Chosen Option : --



**Q.48** Which of the following website addresses takes you to the login page of Gmail?

- Ans**
- A. google/com
  - B. path://1145:www/pictures.au
  - C. https://mail.google.com
  - D. 8002a://www.html

Question ID : **630680424425**  
Option 1 ID : **6306801656028**  
Option 2 ID : **6306801656027**  
Option 3 ID : **6306801656029**  
Option 4 ID : **6306801656030**  
Status : **Answered**  
Chosen Option : **C**

**Q.49** Which of the following options contain colour schemes with custom formatting, styles, fonts and layouts in MS-PowerPoint 2010?

- Ans**
- A. Transition
  - B. Animation
  - C. Themes
  - D. Report

Question ID : **630680424419**  
Option 1 ID : **6306801656003**  
Option 2 ID : **6306801656004**  
Option 3 ID : **6306801656005**  
Option 4 ID : **6306801656006**  
Status : **Answered**  
Chosen Option : **C**

**Q.50** Which of the following is a software program which allows users to access and navigate the World Wide Web?

- Ans**
- A. Webpage
  - B. Website
  - C. Web browser
  - D. Main page

Question ID : **630680424411**  
Option 1 ID : **6306801655972**  
Option 2 ID : **6306801655973**  
Option 3 ID : **6306801655971**  
Option 4 ID : **6306801655974**  
Status : **Answered**  
Chosen Option : **C**

Section : **General Study & Logical Reasoning**

**Q.1** The objective of which of the following scheme is to facilitate the construction and up-gradation of dwelling units for slum dwellers and provide a healthy and enabling urban environment through community toilets?

- Ans**
- A. Vishwakarma Awas Yojana
  - B. Veer Savarkar Awas Yojana
  - C. Valmiki Ambedkar Awas Yojana
  - D. Vijaya Awas Yojana

Question ID : **630680424437**  
Option 1 ID : **6306801656076**  
Option 2 ID : **6306801656077**  
Option 3 ID : **6306801656078**  
Option 4 ID : **6306801656075**  
Status : **Answered**  
Chosen Option : **B**

**Q.2** Which of the following words CANNOT be made using the letters of the string ABCDEFGHJKLMNPOQRSTUVWXYZ?

- Ans**
- A. Goat
  - B. True
  - C. Fish
  - D. Power

Question ID : **630680424444**  
Option 1 ID : **6306801656103**  
Option 2 ID : **6306801656105**  
Option 3 ID : **6306801656104**  
Option 4 ID : **6306801656106**  
Status : **Answered**  
Chosen Option : **C**

**Q.3** Select the number from among the given options that can replace the question mark (?) in the following series.

67, 136, 215, 304, ?

- Ans**
- A. 413
  - B. 419
  - C. 403
  - D. 406

Question ID : **630680424451**  
Option 1 ID : **6306801656133**  
Option 2 ID : **6306801656132**  
Option 3 ID : **6306801656134**  
Option 4 ID : **6306801656131**  
Status : **Answered**  
Chosen Option : **C**

Q.4 'The Glass Palace' was written by \_\_\_\_\_.

- Ans
- A. Jhumpa Lahiri
  - B. Amitav Ghosh
  - C. Rohinton Mistry
  - D. Nirad C Chaudhuri

Question ID : 630680424434  
Option 1 ID : 6306801656066  
Option 2 ID : 6306801656065  
Option 3 ID : 6306801656063  
Option 4 ID : 6306801656064  
Status : Not Answered  
Chosen Option : --

Q.5 Charkula dance is mainly performed in which of the following states of India?

- Ans
- A. West Bengal
  - B. Uttar Pradesh
  - C. Odisha
  - D. Rajasthan

Question ID : 630680424435  
Option 1 ID : 6306801656070  
Option 2 ID : 6306801656068  
Option 3 ID : 6306801656069  
Option 4 ID : 6306801656067  
Status : Not Answered  
Chosen Option : --

Q.6 In a certain code language, HORSE is coded as EHORS. How will STONE be coded in that language?

- Ans
- A. ENOST
  - B. ENSOT
  - C. EONST
  - D. ENOTS

Question ID : 630680424446  
Option 1 ID : 6306801656114  
Option 2 ID : 6306801656113  
Option 3 ID : 6306801656112  
Option 4 ID : 6306801656111  
Status : Answered  
Chosen Option : A

**Q.7** Four letter-clusters have been given, out of which three are alike in some manner and one is different. Select the one that is different.

- Ans**  A. OV  
 B. EK  
 C. HN  
 D. LR

Question ID : **63068042448**  
Option 1 ID : **6306801656120**  
Option 2 ID : **6306801656119**  
Option 3 ID : **6306801656121**  
Option 4 ID : **6306801656122**  
Status : **Answered**  
Chosen Option : **A**

**Q.8** Which of the following Articles of the Indian Constitution does NOT belong to the Fundamental Rights?

- Ans**  A. Article 12  
 B. Article 14  
 C. Article 13  
 D. Article 11

Question ID : **63068042441**  
Option 1 ID : **6306801656092**  
Option 2 ID : **6306801656094**  
Option 3 ID : **6306801656093**  
Option 4 ID : **6306801656091**  
Status : **Answered**  
Chosen Option : **D**

**Q.9** In 1987, Indian Prime Minister Rajiv Gandhi and which of the following Sri Lankan prime ministers signed the accord to send the Indian Peace-Keeping Force to Sri Lanka to combat LTTE?

- Ans**  A. Ranasinghe Premadasa  
 B. Dingiri Banda Wijetunga  
 C. Junius Richard Jayewardene  
 D. Chandrika Kumaratunga

Question ID : **63068042433**  
Option 1 ID : **6306801656062**  
Option 2 ID : **6306801656061**  
Option 3 ID : **6306801656059**  
Option 4 ID : **6306801656060**  
Status : **Not Answered**  
Chosen Option : **--**

**Q.10** Select the number from among the given options that can replace the question mark (?) in the following series.

SE13, UZ26, WU39, YP52, ?

- Ans**
- A. AK78
  - B. AK65
  - C. AL65
  - D. BK65

Question ID : **63068042443**  
Option 1 ID : **6306801656101**  
Option 2 ID : **6306801656102**  
Option 3 ID : **6306801656099**  
Option 4 ID : **6306801656100**  
Status : **Answered**  
Chosen Option : **B**

**Q.11** Jeev Milkha Singh is mainly known for which of the following sports?

- Ans**
- A. Golf
  - B. Table Tennis
  - C. Wrestling
  - D. Athletics

Question ID : **63068042440**  
Option 1 ID : **6306801656088**  
Option 2 ID : **6306801656089**  
Option 3 ID : **6306801656090**  
Option 4 ID : **6306801656087**  
Status : **Answered**  
Chosen Option : **D**

**Q.12** Who was the first sports person nominated for Rajya Sabha membership?

- Ans**
- A. Sachin Tendulkar
  - B. P. T. Usha
  - C. Milkha Singh
  - D. Kapil Dev

Question ID : **63068042442**  
Option 1 ID : **6306801656096**  
Option 2 ID : **6306801656098**  
Option 3 ID : **6306801656095**  
Option 4 ID : **6306801656097**  
Status : **Not Answered**  
Chosen Option : **--**

**Q.13** Select the number from among the given options that can replace the question mark (?) in the following series.

530, 535, 550, 575, ?

- Ans**
- A. 640
  - B. 678
  - C. 635
  - D. 610

Question ID : **630680424450**  
Option 1 ID : **6306801656130**  
Option 2 ID : **6306801656128**  
Option 3 ID : **6306801656129**  
Option 4 ID : **6306801656127**  
Status : **Answered**  
Chosen Option : **D**

**Q.14** Select the option that is related to the third letter-cluster in the same way as the second letter-cluster is related to the first letter-cluster.

SHIP : 198916 :: ROAD : ?

- Ans**
- A. 182514
  - B. 181515
  - C. 181614
  - D. 181514

Question ID : **630680424447**  
Option 1 ID : **6306801656118**  
Option 2 ID : **6306801656116**  
Option 3 ID : **6306801656117**  
Option 4 ID : **6306801656115**  
Status : **Answered**  
Chosen Option : **D**

**Q.15** In the Union Budget 2022-23, the Jal Shakti Ministry was allocated a total of.....

- Ans**
- A. Rs 86,189 crore
  - B. Rs 96,189 crore
  - C. Rs 76,189 crore
  - D. Rs 66,189 crore

Question ID : **630680424436**  
Option 1 ID : **6306801656073**  
Option 2 ID : **6306801656074**  
Option 3 ID : **6306801656072**  
Option 4 ID : **6306801656071**  
Status : **Not Answered**  
Chosen Option : **--**

Q.16 Keoladeo Ghana National Park is mainly known for \_\_\_\_\_.

- Ans
- A. Birds
  - B. Rhinos
  - C. Lions
  - D. Tigers

Question ID : 630680424438  
Option 1 ID : 6306801656079  
Option 2 ID : 6306801656081  
Option 3 ID : 6306801656082  
Option 4 ID : 6306801656080  
Status : Answered  
Chosen Option : A

Q.17 In a certain code language, PLANET is coded as UFOBMQ. How will STRING be coded in that language?

- Ans
- A. HPJSUT
  - B. HOISUT
  - C. HOJSUT
  - D. HOJSVT

Question ID : 630680424445  
Option 1 ID : 6306801656107  
Option 2 ID : 6306801656110  
Option 3 ID : 6306801656109  
Option 4 ID : 6306801656108  
Status : Answered  
Chosen Option : C

Q.18 As of November 2022, which of the following player has scored the highest total runs in all formats of cricket?

- Ans
- A. R Dravid
  - B. SR Tendulkar
  - C. V Kohli
  - D. SC Ganguly

Question ID : 630680424439  
Option 1 ID : 6306801656086  
Option 2 ID : 6306801656083  
Option 3 ID : 6306801656084  
Option 4 ID : 6306801656085  
Status : Answered  
Chosen Option : C

**Q.19** Four letter-cluster pairs have been given, out of which three are alike in some manner and one is different. Select the one that is different.

- Ans**  A. VW-XO  
 B. LM-NO  
 C. GH-IJ  
 D. FG-HI

Question ID : **630680424449**  
 Option 1 ID : **6306801656126**  
 Option 2 ID : **6306801656124**  
 Option 3 ID : **6306801656123**  
 Option 4 ID : **6306801656125**  
 Status : **Answered**  
 Chosen Option : **A**

**Q.20** What is the approximate value that should come in place of the question mark (?) in the following equation?

$$87.78 + 22.37 - 13.69 \times 45.45 \div 14.78 = ?$$

- Ans**  A. 234  
 B. 89  
 C. 68  
 D. 123

Question ID : **630680424452**  
 Option 1 ID : **6306801656138**  
 Option 2 ID : **6306801656135**  
 Option 3 ID : **6306801656136**  
 Option 4 ID : **6306801656137**  
 Status : **Answered**  
 Chosen Option : **C**

Section : **General Hindi**

**Q.1** वाक्य विन्यास की दृष्टि से शुद्ध वाक्य का चयन कीजिए:

- Ans**  A. संतुष्ट नहीं था वह अपने में पाने पर भी सब कुछ।  
 B. संतुष्ट नहीं था सब कुछ पाने पर भी वह अपने में।  
 C. सब कुछ पाने पर भी वह अपने में संतुष्ट नहीं था।  
 D. वह अपने में संतुष्ट नहीं था सब कुछ पाने पर भी।

Question ID : **630680424453**  
 Option 1 ID : **6306801656140**  
 Option 2 ID : **6306801656142**  
 Option 3 ID : **6306801656141**  
 Option 4 ID : **6306801656139**  
 Status : **Answered**  
 Chosen Option : **C**



Q.2 सही मुहावरा चुनें:

- Ans
- A. झोंपड़ा फूँक तमाशा देखना
  - B. गाँव फूँक तमाशा देखना
  - C. घर फूँक तमाशा देखना
  - D. महल फूँक तमाशा देखना

Question ID : 630680424460

Option 1 ID : 6306801656170

Option 2 ID : 6306801656169

Option 3 ID : 6306801656167

Option 4 ID : 6306801656168

Status : Answered

Chosen Option : A

Q.3 निम्न में से किस वाक्य में विशेषण शब्द का उचित प्रयोग हुआ है?

- Ans
- A. वह रोज़ एक किलोमीटर दूध पी जाता है।
  - B. आजकल पेट्रोल 100 रुपए प्रति मीटर हो गया है।
  - C. यह गाड़ी कई टन बोझ उठाकर ले जा सकती है।
  - D. मेरे लिए तीन लीटर रबड़ी लेकर आना।

Question ID : 630680424459

Option 1 ID : 6306801656166

Option 2 ID : 6306801656164

Option 3 ID : 6306801656165

Option 4 ID : 6306801656163

Status : Answered

Chosen Option : C

Q.4 निम्न में से कौन-सा वाक्य संदिग्ध वर्तमान काल की दृष्टि से उचित वाक्य है?

- Ans
- A. कदाचित वह पढ़ने आ जाए।
  - B. मैं अक्सर दूसरे दर्जे में सफर करता हूँ।
  - C. सीता कल दिल्ली जा रही है।
  - D. प्रधानाचार्य जी भाषण देते होंगे।

Question ID : 630680424456

Option 1 ID : 6306801656151

Option 2 ID : 6306801656153

Option 3 ID : 6306801656152

Option 4 ID : 6306801656154

Status : Answered

Chosen Option : A

Q.5 निम्न में से किस वाक्य में प्रेरणार्थक क्रिया शब्द का प्रयोग हुआ है?

- Ans
- A. नरेश पार्टी में गाना गा चुका है।
  - B. ठेकेदार मज़दूर से ईंटें उठवाता है।
  - C. वह खाना खाकर बाहर चला गया।
  - D. रमेश इस किताब को पढ़ सकता है।

Question ID : 630680424458

Option 1 ID : 6306801656160

Option 2 ID : 6306801656161

Option 3 ID : 6306801656162

Option 4 ID : 6306801656159

Status : Answered

Chosen Option : B

Q.6 निम्न में से कौन-सा वाक्य पूर्णभूत काल की दृष्टि से उचित वाक्य है?

- Ans
- A. भगवान कृष्ण बहुत मधुर बाँसुरी बजा रहे थे।
  - B. भगवान कृष्ण बहुत मधुर बाँसुरी बजाया करते थे।
  - C. भगवान कृष्ण बहुत मधुर बाँसुरी बजाते हैं।
  - D. भगवान कृष्ण बहुत मधुर बाँसुरी बजाया करते होंगे।

Question ID : 630680424455

Option 1 ID : 6306801656150

Option 2 ID : 6306801656148

Option 3 ID : 6306801656147

Option 4 ID : 6306801656149

Status : Answered

Chosen Option : B

Q.7 निम्न में से 'कलिका' का पर्याय है:

- Ans
- A. फूल
  - B. कोरक
  - C. कंटक
  - D. पर्ण

Question ID : 630680424462

Option 1 ID : 6306801656176

Option 2 ID : 6306801656175

Option 3 ID : 6306801656178

Option 4 ID : 6306801656177

Status : Answered

Chosen Option : A

Q.8 'कृतज्ञ' का विलोम शब्द निम्न में से है:

- Ans
- A. शत्रुघ्न
  - B. कृतघ्न
  - C. अकृत
  - D. प्रकृत

Question ID : 630680424461  
 Option 1 ID : 6306801656171  
 Option 2 ID : 6306801656173  
 Option 3 ID : 6306801656172  
 Option 4 ID : 6306801656174  
 Status : Answered  
 Chosen Option : B

Q.9 निम्न में से किस वाक्य में कारक चिह्न का शुद्ध प्रयोग हुआ है?

- Ans
- A. पेट में मनुष्य क्या नहीं करता।
  - B. पेट से मनुष्य क्या नहीं करता।
  - C. पेट के वास्ते मनुष्य क्या नहीं करता।
  - D. पेट को मनुष्य क्या नहीं करता।

Question ID : 630680424457  
 Option 1 ID : 6306801656156  
 Option 2 ID : 6306801656157  
 Option 3 ID : 6306801656155  
 Option 4 ID : 6306801656158  
 Status : Answered  
 Chosen Option : C

Q.10 वाक्य विन्यास की दृष्टि से शुद्ध वाक्य का चयन कीजिए-

- Ans
- A. वह वहाँ से खिसक गया विपत्ति आती देखकर ऊपर अपने।
  - B. खिसक गया वह वहाँ से विपत्ति आती देखकर अपने ऊपर।
  - C. अपने ऊपर विपत्ति आती देखकर वह वहाँ से खिसक गया।
  - D. विपत्ति आती देखकर अपने ऊपर वह खिसक गया वहाँ से।

Question ID : 630680424454  
 Option 1 ID : 6306801656144  
 Option 2 ID : 6306801656146  
 Option 3 ID : 6306801656143  
 Option 4 ID : 6306801656145  
 Status : Answered  
 Chosen Option : C

**Comprehension:**

दिए गए गद्यांश के आधार पर प्रश्न के उत्तर दीजिए।

राजा राममोहन राय हिंदू धर्म में सुधार के हिमायती और उसकी जगह ईसाई धर्म लाने के विरोधी थे। उन्होंने ईसाई धर्म प्रचारकों की हिंदू धर्म और दर्शन पर अज्ञानपूर्ण आलोचनाओं का जवाब दिया। साथ ही उन्होंने अन्य धर्मों के प्रति अत्यंत मित्रतापूर्ण रुख अपनाया। उनका विश्वास था कि बुनियादी तौर पर सभी धर्म एक ही संदेश देते हैं कि उनके अनुयायी भाई-भाई हैं। उन्होंने 1828 में ब्रह्म सभा नाम की एक नई धार्मिक संस्था की स्थापना की जिसको बाद में ब्रह्म समाज कहा गया। इसका उद्देश्य हिंदू धर्म को स्वच्छ बनाना और एकेश्वरवाद की शिक्षा देना था। नई संस्था के दो आधार थे, तर्क शक्ति, वेद तथा उपनिषद। उसे अन्य धर्मों की शिक्षाओं को भी समाहित करना था। ब्रह्म समाज ने मानवीय प्रतिष्ठा पर जोर दिया, मूर्तिपूजा का विरोध किया तथा सती प्रथा जैसी सामाजिक कुरीतियों की आलोचना की। वे औरतों के पक्के हिमायती थे। उन्होंने औरतों की परवशता की निंदा की तथा इस प्रचलित विचार का विरोध किया कि औरतें पुरुषों से बुद्धि में या नैतिक दृष्टि से निकृष्ट हैं। उन्होंने बहुविवाह तथा विधवाओं की अवनत स्थिति की आलोचना की। औरतों की स्थिति को सुधारने के लिए उन्होंने माँग की कि उन्हें विरासत और सम्पत्ति संबंधी अधिकार दिए जाएं। राममोहन राय आधुनिक शिक्षा के सबसे प्रारम्भिक प्रचारकों में से थे। वे आधुनिक शिक्षा को देश में आधुनिक विचारों के प्रचार का प्रमुख साधन समझते थे। डेविड हेअर ने 1817 में कलकत्ता में प्रसिद्ध हिंदू कॉलेज की स्थापना की। राजा राममोहन राय ने कलकत्ता में 1817 में अपने खर्च से एक अंग्रेजी स्कूल चलाया जिसमें अन्य विषयों के साथ ही यांत्रिकी और वाल्टेयर के दर्शन की पढ़ाई होती थी। उन्होंने 1825 में एक वेदांत कॉलेज की स्थापना की जिसमें भारतीय विद्या और पाश्चात्य सामाजिक तथा भौतिक विज्ञानों की पढ़ाई की सुविधाएँ उपलब्ध थीं।

**SubQuestion No : 11**

Q.11 राजा राममोहन राय के धर्म संबंधी विचारों के संदर्भ में असत्य है?

Ans

- A. वह हिंदू धर्म में सुधार के हिमायती थे।
- B. वह सभी धर्मों के संदेशों की बुनियादी एकता में विश्वास करते थे।
- C. अन्य धर्मों के प्रति उनका रुख मित्रतापूर्ण था।
- D. हिंदू धर्म की जगह ईसाई धर्म को अपनाने के पक्ष में थे।

Question ID : 630680424466

Option 1 ID : 6306801656187

Option 2 ID : 6306801656190

Option 3 ID : 6306801656189

Option 4 ID : 6306801656188

Status : Answered

Chosen Option : D

**Comprehension:**

दिए गए गद्यांश के आधार पर प्रश्न के उत्तर दीजिए।

राजा राममोहन राय हिंदू धर्म में सुधार के हिमायती और उसकी जगह ईसाई धर्म लाने के विरोधी थे। उन्होंने ईसाई धर्म प्रचारकों की हिंदू धर्म और दर्शन पर अज्ञानपूर्ण आलोचनाओं का जवाब दिया। साथ ही उन्होंने अन्य धर्मों के प्रति अत्यंत मित्रतापूर्ण रुख अपनाया। उनका विश्वास था कि बुनियादी तौर पर सभी धर्म एक ही संदेश देते हैं कि उनके अनुयायी भाई-भाई हैं। उन्होंने 1828 में ब्रह्म सभा नाम की एक नई धार्मिक संस्था की स्थापना की जिसको बाद में ब्रह्म समाज कहा गया। इसका उद्देश्य हिंदू धर्म को स्वच्छ बनाना और एकेश्वरवाद की शिक्षा देना था। नई संस्था के दो आधार थे, तर्क शक्ति, वेद तथा उपनिषद। उसे अन्य धर्मों की शिक्षाओं को भी समाहित करना था। ब्रह्म समाज ने मानवीय प्रतिष्ठा पर जोर दिया, मूर्तिपूजा का विरोध किया तथा सती प्रथा जैसी सामाजिक कुरीतियों की आलोचना की। वे औरतों के पक्के हिमायती थे। उन्होंने औरतों की परवशता की निंदा की तथा इस प्रचलित विचार का विरोध किया कि औरतें पुरुषों से बुद्धि में या नैतिक दृष्टि से निकृष्ट हैं। उन्होंने बहुविवाह तथा विधवाओं की अवनत स्थिति की आलोचना की। औरतों की स्थिति को सुधारने के लिए उन्होंने माँग की कि उन्हें विरासत और सम्पत्ति संबंधी अधिकार दिए जाएं। राममोहन राय आधुनिक शिक्षा के सबसे प्रारम्भिक प्रचारकों में से थे। वे आधुनिक शिक्षा को देश में आधुनिक विचारों के प्रचार का प्रमुख साधन समझते थे। डेविड हेअर ने 1817 में कलकत्ता में प्रसिद्ध हिंदू कॉलेज की स्थापना की। राजा राममोहन राय ने कलकत्ता में 1817 में अपने खर्च से एक अंग्रेजी स्कूल चलाया जिसमें अन्य विषयों के साथ ही यांत्रिकी और वाल्टेयर के दर्शन की पढ़ाई होती थी। उन्होंने 1825 में एक वेदांत कॉलेज की स्थापना की जिसमें भारतीय विद्या और पाश्चात्य सामाजिक तथा भौतिक विज्ञानों की पढ़ाई की सुविधाएँ उपलब्ध थीं।

**SubQuestion No : 12**

Q.12 गद्यांश के आधार पर राजा राममोहन राय के संबंध में निष्कर्ष रूप में नहीं कहा जा सकता?

Ans  A.

उनके ब्रह्म समाज का उद्देश्य हिंदू धर्म को स्वच्छ करना और एकेश्वरवाद की शिक्षा देना था।

B.

उन्होंने नारी उत्थान के लिए विशिष्ट कार्य किये। सती प्रथा को समाप्त किये जाने में उनकी अहम भूमिका थी।

C.

उन्होंने भारतीय दर्शन के साथ ही पाश्चात्य भौतिक एवं सामाजिक विज्ञान तथा दर्शन को भी पढ़ाने का समर्थन किया।

D.

राजा राममोहन राय की हिंदू धर्म में अटूट श्रद्धा थी तथा वह सर्वधर्म समभाव के सिद्धांत में विश्वास नहीं रखते थे।

Question ID : 630680424468

Option 1 ID : 6306801656195

Option 2 ID : 6306801656196

Option 3 ID : 6306801656198

Option 4 ID : 6306801656197

Status : Answered

Chosen Option : D

**Comprehension:**

दिए गए गद्यांश के आधार पर प्रश्न के उत्तर दीजिए।

राजा राममोहन राय हिंदू धर्म में सुधार के हिमायती और उसकी जगह ईसाई धर्म लाने के विरोधी थे। उन्होंने ईसाई धर्म प्रचारकों की हिंदू धर्म और दर्शन पर अज्ञानपूर्ण आलोचनाओं का जवाब दिया। साथ ही उन्होंने अन्य धर्मों के प्रति अत्यंत मित्रतापूर्ण रुख अपनाया। उनका विश्वास था कि बुनियादी तौर पर सभी धर्म एक ही संदेश देते हैं कि उनके अनुयायी भाई-भाई हैं। उन्होंने 1828 में ब्रह्म सभा नाम की एक नई धार्मिक संस्था की स्थापना की जिसको बाद में ब्रह्म समाज कहा गया। इसका उद्देश्य हिंदू धर्म को स्वच्छ बनाना और एकेश्वरवाद की शिक्षा देना था। नई संस्था के दो आधार थे, तर्क शक्ति, वेद तथा उपनिषद। उसे अन्य धर्मों की शिक्षाओं को भी समाहित करना था। ब्रह्म समाज ने मानवीय प्रतिष्ठा पर जोर दिया, मूर्तिपूजा का विरोध किया तथा सती प्रथा जैसी सामाजिक कुरीतियों की आलोचना की। वे औरतों के पक्के हिमायती थे। उन्होंने औरतों की परवशता की निंदा की तथा इस प्रचलित विचार का विरोध किया कि औरतें पुरुषों से बुद्धि में या नैतिक दृष्टि से निकृष्ट हैं। उन्होंने बहुविवाह तथा विधवाओं की अवनत स्थिति की आलोचना की। औरतों की स्थिति को सुधारने के लिए उन्होंने माँग की कि उन्हें विरासत और सम्पत्ति संबंधी अधिकार दिए जाएं। राममोहन राय आधुनिक शिक्षा के सबसे प्रारम्भिक प्रचारकों में से थे। वे आधुनिक शिक्षा को देश में आधुनिक विचारों के प्रचार का प्रमुख साधन समझते थे। डेविड हेअर ने 1817 में कलकत्ता में प्रसिद्ध हिंदू कॉलेज की स्थापना की। राजा राममोहन राय ने कलकत्ता में 1817 में अपने खर्च से एक अंग्रेजी स्कूल चलाया जिसमें अन्य विषयों के साथ ही यांत्रिकी और वाल्टेयर के दर्शन की पढ़ाई होती थी। उन्होंने 1825 में एक वेदांत कॉलेज की स्थापना की जिसमें भारतीय विद्या और पाश्चात्य सामाजिक तथा भौतिक विज्ञानों की पढ़ाई की सुविधाएँ उपलब्ध थीं।

**SubQuestion No : 13**

Q.13 राजा राममोहन राय ने 1828 में निम्न में से किस संस्था की स्थापना की ?

- Ans
- A. प्रार्थना समाज
  - B. ब्रह्म सभा
  - C. ब्रह्म समाज
  - D. आत्मीय सभा

Question ID : 630680424464

Option 1 ID : 6306801656182

Option 2 ID : 6306801656179

Option 3 ID : 6306801656180

Option 4 ID : 6306801656181

Status : Answered

Chosen Option : B

**Comprehension:**

दिए गए गद्यांश के आधार पर प्रश्न के उत्तर दीजिए।

राजा राममोहन राय हिंदू धर्म में सुधार के हिमायती और उसकी जगह ईसाई धर्म लाने के विरोधी थे। उन्होंने ईसाई धर्म प्रचारकों की हिंदू धर्म और दर्शन पर अज्ञानपूर्ण आलोचनाओं का जवाब दिया। साथ ही उन्होंने अन्य धर्मों के प्रति अत्यंत मित्रतापूर्ण रुख अपनाया। उनका विश्वास था कि बुनियादी तौर पर सभी धर्म एक ही संदेश देते हैं कि उनके अनुयायी भाई-भाई हैं। उन्होंने 1828 में ब्रह्म सभा नाम की एक नई धार्मिक संस्था की स्थापना की जिसको बाद में ब्रह्म समाज कहा गया। इसका उद्देश्य हिंदू धर्म को स्वच्छ बनाना और एकेश्वरवाद की शिक्षा देना था। नई संस्था के दो आधार थे, तर्क शक्ति, वेद तथा उपनिषद। उसे अन्य धर्मों की शिक्षाओं को भी समाहित करना था। ब्रह्म समाज ने मानवीय प्रतिष्ठा पर जोर दिया, मूर्तिपूजा का विरोध किया तथा सती प्रथा जैसी सामाजिक कुरीतियों की आलोचना की। वे औरतों के पक्के हिमायती थे। उन्होंने औरतों की परवशता की निंदा की तथा इस प्रचलित विचार का विरोध किया कि औरतें पुरुषों से बुद्धि में या नैतिक दृष्टि से निकृष्ट हैं। उन्होंने बहुविवाह तथा विधवाओं की अवनत स्थिति की आलोचना की। औरतों की स्थिति को सुधारने के लिए उन्होंने माँग की कि उन्हें विरासत और सम्पत्ति संबंधी अधिकार दिए जाएं। राममोहन राय आधुनिक शिक्षा के सबसे प्रारम्भिक प्रचारकों में से थे। वे आधुनिक शिक्षा को देश में आधुनिक विचारों के प्रचार का प्रमुख साधन समझते थे। डेविड हेअर ने 1817 में कलकत्ता में प्रसिद्ध हिंदू कॉलेज की स्थापना की। राजा राममोहन राय ने कलकत्ता में 1817 में अपने खर्च से एक अंग्रेजी स्कूल चलाया जिसमें अन्य विषयों के साथ ही यांत्रिकी और वाल्टेयर के दर्शन की पढ़ाई होती थी। उन्होंने 1825 में एक वेदांत कॉलेज की स्थापना की जिसमें भारतीय विद्या और पाश्चात्य सामाजिक तथा भौतिक विज्ञानों की पढ़ाई की सुविधाएँ उपलब्ध थीं।

**SubQuestion No : 14**

Q.14 राजा राममोहन राय ने औरतों की स्थिति सुधारने के लिए निम्न में से कौन-सा प्रयास नहीं किया?

Ans  A.

उन्होंने औरतों की परवशता की निंदा की और उनको स्वतंत्र किए जाने का आह्वान किया।

B.

उन्होंने औरतों के लिए शैक्षणिक संस्थान की स्थापना करवाई।

C.

उन्होंने बहुविवाह पर रोक तथा विधवाओं की स्थिति सुधारने की बकालत की।

D.

औरतों को विरासत और सम्पत्ति संबंधी अधिकार दिए जाने की माँग की।

Question ID : 630680424467

Option 1 ID : 6306801656191

Option 2 ID : 6306801656194

Option 3 ID : 6306801656192

Option 4 ID : 6306801656193

Status : Answered

Chosen Option : B

**Comprehension:**

दिए गए गद्यांश के आधार पर प्रश्न के उत्तर दीजिए।

राजा राममोहन राय हिंदू धर्म में सुधार के हिमायती और उसकी जगह ईसाई धर्म लाने के विरोधी थे। उन्होंने ईसाई धर्म प्रचारकों की हिंदू धर्म और दर्शन पर अज्ञानपूर्ण आलोचनाओं का जवाब दिया। साथ ही उन्होंने अन्य धर्मों के प्रति अत्यंत मित्रतापूर्ण रुख अपनाया। उनका विश्वास था कि बुनियादी तौर पर सभी धर्म एक ही संदेश देते हैं कि उनके अनुयायी भाई-भाई हैं। उन्होंने 1828 में ब्रह्म सभा नाम की एक नई धार्मिक संस्था की स्थापना की जिसको बाद में ब्रह्म समाज कहा गया। इसका उद्देश्य हिंदू धर्म को स्वच्छ बनाना और एकेश्वरवाद की शिक्षा देना था। नई संस्था के दो आधार थे, तर्क शक्ति, वेद तथा उपनिषद। उसे अन्य धर्मों की शिक्षाओं को भी समाहित करना था। ब्रह्म समाज ने मानवीय प्रतिष्ठा पर जोर दिया, मूर्तिपूजा का विरोध किया तथा सती प्रथा जैसी सामाजिक कुरीतियों की आलोचना की। वे औरतों के पक्के हिमायती थे। उन्होंने औरतों की परवशता की निंदा की तथा इस प्रचलित विचार का विरोध किया कि औरतें पुरुषों से बुद्धि में या नैतिक दृष्टि से निकृष्ट हैं। उन्होंने बहुविवाह तथा विधवाओं की अवनत स्थिति की आलोचना की। औरतों की स्थिति को सुधारने के लिए उन्होंने माँग की कि उन्हें विरासत और सम्पत्ति संबंधी अधिकार दिए जाएं। राममोहन राय आधुनिक शिक्षा के सबसे प्रारम्भिक प्रचारकों में से थे। वे आधुनिक शिक्षा को देश में आधुनिक विचारों के प्रचार का प्रमुख साधन समझते थे। डेविड हेअर ने 1817 में कलकत्ता में प्रसिद्ध हिंदू कॉलेज की स्थापना की। राजा राममोहन राय ने कलकत्ता में 1817 में अपने खर्च से एक अंग्रेजी स्कूल चलाया जिसमें अन्य विषयों के साथ ही यांत्रिकी और वाल्टेयर के दर्शन की पढ़ाई होती थी। उन्होंने 1825 में एक वेदांत कॉलेज की स्थापना की जिसमें भारतीय विद्या और पाश्चात्य सामाजिक तथा भौतिक विज्ञानों की पढ़ाई की सुविधाएँ उपलब्ध थीं।

**SubQuestion No : 15**

Q.15 'परवश' का पर्याय निम्न में से है?

- Ans
- A. प्रतिबिम्ब
  - B. परुष
  - C. स्वतंत्र
  - D. पराधीन

Question ID : 630680424465

Option 1 ID : 6306801656185

Option 2 ID : 6306801656186

Option 3 ID : 6306801656184

Option 4 ID : 6306801656183

Status : Answered

Chosen Option : D

**Section : General English**

Q.1 Parts of a sentence are given below in jumbled order. Arrange the parts in the correct order to form a meaningful sentence.

- A. A 3.7-magnitude earthquake
- B. rattled the Montreal area
- C. on Monday night, Earthquakes Canada reports
- D. at around 9:23 p.m..

- Ans
- A. ADCB
  - B. ABCD
  - C. ABDC
  - D. ACBD

Question ID : 630680424478

Option 1 ID : 6306801656235

Option 2 ID : 6306801656237

Option 3 ID : 6306801656238

Option 4 ID : 6306801656236

Status : Answered

Chosen Option : C



**Q.2** Select the most appropriate synonym of the word given in brackets to fill in the blank.

She is such a good actress that people \_\_\_\_\_ (adore) her very much.

- Ans**
- A. criticise
  - B. admire
  - C. mock
  - D. complain

Question ID : 630680424475

Option 1 ID : 6306801656225

Option 2 ID : 6306801656223

Option 3 ID : 6306801656224

Option 4 ID : 6306801656226

Status : Answered

Chosen Option : B

**Q.3** The following sentence has been divided into parts. One of them may contain an error. Select the part that contains the error from the given options. If you don't find any error, mark 'No error' as your answer.

Do you think / it rains / this evening?

- Ans**
- A. No error
  - B. it rains
  - C. Do you think
  - D. this evening

Question ID : 630680424472

Option 1 ID : 6306801656214

Option 2 ID : 6306801656212

Option 3 ID : 6306801656211

Option 4 ID : 6306801656213

Status : Answered

Chosen Option : B

**Q.4** Select the option that can substitute the underlined word in the given idiom correctly. If no substitution is required, select 'No substitution required'.

Pull someone's nose

- Ans**
- A. hand
  - B. No substitution required
  - C. ears
  - D. leg

Question ID : 630680424477

Option 1 ID : 6306801656232

Option 2 ID : 6306801656234

Option 3 ID : 6306801656231

Option 4 ID : 6306801656233

Status : Answered

Chosen Option : D

**Q.5** The following sentence has been divided into parts. One of them may contain an error. Select the part that contains the error from the given options. If you don't find any error, mark 'No error' as your answer.

I always reading / my newspaper along with / my morning tea.

- Ans**
- A. No error
  - B. my newspaper along with
  - C. I always reading
  - D. my morning tea

Question ID : 630680424471  
Option 1 ID : 6306801656210  
Option 2 ID : 6306801656208  
Option 3 ID : 6306801656207  
Option 4 ID : 6306801656209  
Status : Answered  
Chosen Option : B

**Q.6** Select the sentence with the grammatically correct verb form.

- Ans**
- A. She had breaking the cup accidentally.
  - B. She break the cup accidentally.
  - C. She had broke the cup accidentally.
  - D. She broke the cup accidentally.

Question ID : 630680424473  
Option 1 ID : 6306801656218  
Option 2 ID : 6306801656215  
Option 3 ID : 6306801656217  
Option 4 ID : 6306801656216  
Status : Answered  
Chosen Option : D

**Q.7** Select the most appropriate option to fill in the blank.

As soon as I finished \_\_\_\_\_ the book, I went off to sleep.

- Ans**
- A. to read
  - B. read
  - C. reads
  - D. reading

Question ID : 630680424470  
Option 1 ID : 6306801656206  
Option 2 ID : 6306801656203  
Option 3 ID : 6306801656204  
Option 4 ID : 6306801656205  
Status : Answered  
Chosen Option : D

**Q.8** Select the most appropriate option to fill in the blank.

Some people believe that the use \_\_\_\_\_ plastic saves trees.

- Ans**
- A. of
  - B. to
  - C. in
  - D. for

Question ID : 630680424469  
Option 1 ID : 6306801656201  
Option 2 ID : 6306801656200  
Option 3 ID : 6306801656199  
Option 4 ID : 6306801656202  
Status : Answered  
Chosen Option : A

**Q.9** Select the option that can substitute the underlined word in the given proverb correctly. If no substitution is required, select 'No substitution required'.

You can't judge a gift by its wrapper.

- Ans**
- A. a book by its cover
  - B. a person by his shoes
  - C. a bird by its feathers
  - D. No substitution required

Question ID : 630680424476  
Option 1 ID : 6306801656227  
Option 2 ID : 6306801656228  
Option 3 ID : 6306801656229  
Option 4 ID : 6306801656230  
Status : Answered  
Chosen Option : A

**Q.10** Select the most appropriate ANTONYM of the word given in brackets to fill in the blank.

For Anuj, that sum was quite \_\_\_\_\_ (facile).

- Ans**
- A. easy
  - B. difficult
  - C. light
  - D. fast

Question ID : 630680424474  
Option 1 ID : 6306801656219  
Option 2 ID : 6306801656221  
Option 3 ID : 6306801656222  
Option 4 ID : 6306801656220  
Status : Answered  
Chosen Option : B

**Comprehension:**

Read the given passage and answer the questions that follow.

Nasa is once again at it - attempting to launch its mega-Moon rocket to the Moon. The American space agency is conducting the third attempt to launch the Artemis-1 mission on a journey to the Moon. The Space Launch System (SLS rocket) will lift off with the Orion spacecraft from the Kennedy Space Centre on Wednesday.

The launch will be a foundation for a future crewed mission as countries from across the world ready their plans to launch to the Moon. Nasa has tried to launch the mission twice in the past, but the attempts have been unsuccessful due to engine issues and hydrogen leaks.

Liftoff is scheduled for the early morning hours of Wednesday from Nasa's Kennedy Space Center, with test dummies rather than astronauts on board. It's the first test flight for the 322-foot (98-meter) rocket, the most powerful ever built by Nasa, and will attempt to send the capsule into lunar orbit.

The nearly month-long \$4 billion mission had been grounded since August by fuel leaks and Hurricane Ian, which forced the rocket back into its hangar for shelter at the end of September.

The rocket remained at the pad for Nicole, a tropical storm; managers said there wasn't enough time to move it once it became clear the storm was going to be stronger than anticipated. Teams are poised to resume work as soon as weather and Kennedy center status allows. Once back on-site, technicians will perform inspections at the pad to assess the status of the rocket and spacecraft as soon as practicable.

SubQuestion No : 11

Q.11 Which of the following is a pair of strong storms?

- Ans
- A. Kennedy - Ian
  - B. Ian - Nichole
  - C. Artemis - Orion
  - D. Orion - Nicole

Question ID : 630680424484

Option 1 ID : 6306801656258

Option 2 ID : 6306801656256

Option 3 ID : 6306801656257

Option 4 ID : 6306801656255

Status : Answered

Chosen Option : B

**Comprehension:**

Read the given passage and answer the questions that follow.

Nasa is once again at it - attempting to launch its mega-Moon rocket to the Moon. The American space agency is conducting the third attempt to launch the Artemis-1 mission on a journey to the Moon. The Space Launch System (SLS rocket) will lift off with the Orion spacecraft from the Kennedy Space Centre on Wednesday.

The launch will be a foundation for a future crewed mission as countries from across the world ready their plans to launch to the Moon. Nasa has tried to launch the mission twice in the past, but the attempts have been unsuccessful due to engine issues and hydrogen leaks.

Liftoff is scheduled for the early morning hours of Wednesday from Nasa's Kennedy Space Center, with test dummies rather than astronauts on board. It's the first test flight for the 322-foot (98-meter) rocket, the most powerful ever built by Nasa, and will attempt to send the capsule into lunar orbit.

The nearly month-long \$4 billion mission had been grounded since August by fuel leaks and Hurricane Ian, which forced the rocket back into its hangar for shelter at the end of September.

The rocket remained at the pad for Nicole, a tropical storm; managers said there wasn't enough time to move it once it became clear the storm was going to be stronger than anticipated. Teams are poised to resume work as soon as weather and Kennedy center status allows. Once back on-site, technicians will perform inspections at the pad to assess the status of the rocket and spacecraft as soon as practicable.

SubQuestion No : 12

Q.12 Which of the following can be inferred from the passage?

Ans  A. The Artemis mission is a manned mission to moon.

B.

This launch is the second attempt by NASA to launch the Artemis mission.

C.

The Artemis mission has no astronauts in the present launch.

D. NASA's rocket is ready to be launched at the first attempt.

Question ID : 630680424481

Option 1 ID : 6306801656243

Option 2 ID : 6306801656244

Option 3 ID : 6306801656246

Option 4 ID : 6306801656245

Status : Answered

Chosen Option : C

**Comprehension:**

Read the given passage and answer the questions that follow.

Nasa is once again at it - attempting to launch its mega-Moon rocket to the Moon. The American space agency is conducting the third attempt to launch the Artemis-1 mission on a journey to the Moon. The Space Launch System (SLS rocket) will lift off with the Orion spacecraft from the Kennedy Space Centre on Wednesday.

The launch will be a foundation for a future crewed mission as countries from across the world ready their plans to launch to the Moon. Nasa has tried to launch the mission twice in the past, but the attempts have been unsuccessful due to engine issues and hydrogen leaks.

Liftoff is scheduled for the early morning hours of Wednesday from Nasa's Kennedy Space Center, with test dummies rather than astronauts on board. It's the first test flight for the 322-foot (98-meter) rocket, the most powerful ever built by Nasa, and will attempt to send the capsule into lunar orbit.

The nearly month-long \$4 billion mission had been grounded since August by fuel leaks and Hurricane Ian, which forced the rocket back into its hangar for shelter at the end of September.

The rocket remained at the pad for Nicole, a tropical storm; managers said there wasn't enough time to move it once it became clear the storm was going to be stronger than anticipated. Teams are poised to resume work as soon as weather and Kennedy center status allows. Once back on-site, technicians will perform inspections at the pad to assess the status of the rocket and spacecraft as soon as practicable.

**SubQuestion No : 13**

Q.13 Which of the following was NOT a reason for the delay in the launch of the rocket?

- Ans
- A. Problems with the engine of the rocket
  - B. Fuel leakage from the rocket
  - C. Unpreparedness of the astronauts
  - D. Adverse weather conditions

Question ID : 630680424482

Option 1 ID : 6306801656248

Option 2 ID : 6306801656249

Option 3 ID : 6306801656247

Option 4 ID : 6306801656250

Status : Answered

Chosen Option : C

**Comprehension:**

Read the given passage and answer the questions that follow.

Nasa is once again at it - attempting to launch its mega-Moon rocket to the Moon. The American space agency is conducting the third attempt to launch the Artemis-1 mission on a journey to the Moon. The Space Launch System (SLS rocket) will lift off with the Orion spacecraft from the Kennedy Space Centre on Wednesday.

The launch will be a foundation for a future crewed mission as countries from across the world ready their plans to launch to the Moon. Nasa has tried to launch the mission twice in the past, but the attempts have been unsuccessful due to engine issues and hydrogen leaks.

Liftoff is scheduled for the early morning hours of Wednesday from Nasa's Kennedy Space Center, with test dummies rather than astronauts on board. It's the first test flight for the 322-foot (98-meter) rocket, the most powerful ever built by Nasa, and will attempt to send the capsule into lunar orbit.

The nearly month-long \$4 billion mission had been grounded since August by fuel leaks and Hurricane Ian, which forced the rocket back into its hangar for shelter at the end of September.

The rocket remained at the pad for Nicole, a tropical storm; managers said there wasn't enough time to move it once it became clear the storm was going to be stronger than anticipated. Teams are poised to resume work as soon as weather and Kennedy center status allows. Once back on-site, technicians will perform inspections at the pad to assess the status of the rocket and spacecraft as soon as practicable.

SubQuestion No : 14

Q.14 How is the present rocket different from the earlier ones?

- Ans
- A. It is much lighter in weight than the previous rockets.
  - B. It can carry more weight than the previous rockets.
  - C. It is more powerful than the previous rockets.
  - D. It is faster than the previous rockets.

Question ID : 630680424483

Option 1 ID : 6306801656254

Option 2 ID : 6306801656252

Option 3 ID : 6306801656253

Option 4 ID : 6306801656251

Status : Answered

Chosen Option : C

**Comprehension:**

Read the given passage and answer the questions that follow.

Nasa is once again at it - attempting to launch its mega-Moon rocket to the Moon. The American space agency is conducting the third attempt to launch the Artemis-1 mission on a journey to the Moon. The Space Launch System (SLS rocket) will lift off with the Orion spacecraft from the Kennedy Space Centre on Wednesday.

The launch will be a foundation for a future crewed mission as countries from across the world ready their plans to launch to the Moon. Nasa has tried to launch the mission twice in the past, but the attempts have been unsuccessful due to engine issues and hydrogen leaks.

Liftoff is scheduled for the early morning hours of Wednesday from Nasa's Kennedy Space Center, with test dummies rather than astronauts on board. It's the first test flight for the 322-foot (98-meter) rocket, the most powerful ever built by Nasa, and will attempt to send the capsule into lunar orbit.

The nearly month-long \$4 billion mission had been grounded since August by fuel leaks and Hurricane Ian, which forced the rocket back into its hangar for shelter at the end of September.

The rocket remained at the pad for Nicole, a tropical storm; managers said there wasn't enough time to move it once it became clear the storm was going to be stronger than anticipated. Teams are poised to resume work as soon as weather and Kennedy center status allows. Once back on-site, technicians will perform inspections at the pad to assess the status of the rocket and spacecraft as soon as practicable.

SubQuestion No : 15

Q.15 What is the name of the rocket that will carry the spacecraft into space?

- Ans
- A. Artemis 1
  - B. The Space Launch System
  - C. Nicole
  - D. Orion

Question ID : 630680424480

Option 1 ID : 6306801656239

Option 2 ID : 6306801656241

Option 3 ID : 6306801656242

Option 4 ID : 6306801656240

Status : Answered

Chosen Option : B

Section : Domain Knowledge



Q.1 Which type of color is produced by cadmium borate in neon sign lamp?

- Ans
- A. Blue white
  - B. Blue
  - C. Pink
  - D. Yellow

Question ID : 630680424577  
Option 1 ID : 6306801656628  
Option 2 ID : 6306801656627  
Option 3 ID : 6306801656629  
Option 4 ID : 6306801656630  
Status : Answered  
Chosen Option : C

Q.2 Which of the following represents a disadvantage of a separately excited generator over a self-excited generator?

- Ans
- A. Wide range of output voltage
  - B. Operate in a stable condition with any field excitation
  - C. A separate DC source is required
  - D. Field ampere turns can be independently controlled

Question ID : 630680424535  
Option 1 ID : 6306801656461  
Option 2 ID : 6306801656460  
Option 3 ID : 6306801656462  
Option 4 ID : 6306801656459  
Status : Answered  
Chosen Option : C





Q.3 Which types of alphabets are used to make the core shape of shell type transformer?

- Ans
- A. L and L
  - B. E and L
  - C. E and I
  - D. L and I

Question ID : 630680424559  
Option 1 ID : 6306801656555  
Option 2 ID : 6306801656558  
Option 3 ID : 6306801656556  
Option 4 ID : 6306801656557  
Status : Answered  
Chosen Option : C

Q.4 Which of the symbol is used in layout for lamp or outlet for lamp?

Ans

- A.   
 B.   
 C.   
 D. 

Question ID : 630680424602

Option 1 ID : 6306801656729

Option 2 ID : 6306801656728

Option 3 ID : 6306801656727

Option 4 ID : 6306801656730

Status : Answered

Chosen Option : A

Q.5 Which type of faults occurs in wiring when wrong connection will either blow a fuse or cause lamps to operate dimly or not at all work?

Ans

- A. Open circuit fault  
 B. Earth Fault  
 C. Short circuit fault  
 D. Main faults in new wiring

Question ID : 630680424551

Option 1 ID : 6306801656524

Option 2 ID : 6306801656523

Option 3 ID : 6306801656526

Option 4 ID : 6306801656525

Status : Answered

Chosen Option : C

Q.6 Which of the following material has the relative permeability very close to unity?

Ans

- A. Nonmagnetic material  
 B. Ferromagnetic material  
 C. Weak magnet  
 D. Strongly magnet

Question ID : 630680424516

Option 1 ID : 6306801656385

Option 2 ID : 6306801656384


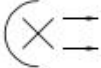


Option 3 ID : 6306801656386

Option 4 ID : 6306801656383

Status : Answered

Chosen Option : C

Q.7 Which of the following symbol represents floodlight?

- Ans
- A. 
- B. 
- C. 
- D. 

Question ID : 630680424545

Option 1 ID : 6306801656502

Option 2 ID : 6306801656500

Option 3 ID : 6306801656501

Option 4 ID : 6306801656499

Status : Answered

Chosen Option : C

Q.8 Which of the following is defining the electrical energy?

- Ans
- A.  $V^2 / Rt$
- B.  $(I^2R)*t$
- C.  $(I^2/R)*t$
- D.  $VI/t$

Question ID : 630680424503

Option 1 ID : 6306801656332

Option 2 ID : 6306801656334

Option 3 ID : 6306801656333

Option 4 ID : 6306801656331

Status : Answered

Chosen Option : B

Q.9 A d.c. generator whose field magnet winding is supplied current from the output of the generator itself is called \_\_\_\_\_.

- Ans
- A. Battery excited machine
- B. Separately excited machine
- C. Permanent magnet machine
- D. Self-excited machine

Question ID : 630680424573

Option 1 ID : 6306801656614

Option 2 ID : 6306801656611

Option 3 ID : 6306801656612

Option 4 ID : 6306801656613

Status : Answered

Chosen Option : D

Q.10



Identify the above motor symbol?

- Ans
- A. Three-phase induction motor with squirrel cage
  - B. Three-phase induction motor star connected with automatic starter in the rotor
  - C. Three-phase induction motor star connected with automatic starter in the rotor
  - D. Three-phase induction motor with wound rotor

Question ID : 630680424585

Option 1 ID : 6306801656662

Option 2 ID : 6306801656660

Option 3 ID : 6306801656659

Option 4 ID : 6306801656661

Status : Answered

Chosen Option : D

Q.11 Which of the following components of an electric drive can be used to control the o/p power of the supply?

- Ans
- A. Sensing Unit
  - B. Power Source
  - C. Load
  - D. Power Modulator

Question ID : 630680424631

Option 1 ID : 6306801656845

Option 2 ID : 6306801656843

Option 3 ID : 6306801656846

Option 4 ID : 6306801656844

Status : Answered

Chosen Option : D

Q.12 \_\_\_\_\_ is used to convert the fixed frequency and fixed voltage AC into variable frequency and variable voltage AC.

- Ans
- A. Cycloconverters
  - B. Inverters
  - C. Tap changer transformers
  - D. Auto transformer

Question ID : 630680424629

Option 1 ID : 6306801656836

Option 2 ID : 6306801656838

Option 3 ID : 6306801656837

Option 4 ID : 6306801656835

Status : Answered

Chosen Option : A

Q.13 Which of the following factor does not affected the armature resistance?

- Ans
- A. Number and size of armature winding
  - B. Armature flux generated amplitude
  - C. Contact resistance between the carbon brush and copper commutator
  - D. Connection type of armature winding

Question ID : 630680424537  
Option 1 ID : 6306801656467  
Option 2 ID : 6306801656469  
Option 3 ID : 6306801656470  
Option 4 ID : 6306801656468  
Status : Answered  
Chosen Option : B

Q.14 The amount of light emitted in a given direction by a source of one candle power is called \_\_\_\_\_.

- Ans
- A. Lumen
  - B. Luminous intensity
  - C. Lux
  - D. Candela

Question ID : 630680424574  
Option 1 ID : 6306801656618  
Option 2 ID : 6306801656616  
Option 3 ID : 6306801656617  
Option 4 ID : 6306801656615  
Status : Answered  
Chosen Option : A

Q.15 Which class of induction motor produces high slip?

- Ans
- A. Class C
  - B. Class A
  - C. Class D
  - D. Class B

Question ID : 630680424587  
Option 1 ID : 6306801656669  
Option 2 ID : 6306801656667  
Option 3 ID : 6306801656670  
Option 4 ID : 6306801656668  
Status : Answered  
Chosen Option : C

Q.16 Which of the feature is correct for synchronous motor?

Ans  A.

Behave as variable speed motor irrespective of load condition

- B. Speed operation done by changing the frequency
- C. Self-starting
- D. operating under only electrical unity power factor

Question ID : 630680424583

Option 1 ID : 6306801656653

Option 2 ID : 6306801656652

Option 3 ID : 6306801656651

Option 4 ID : 6306801656654

Status : Answered

Chosen Option : B

Q.17 Find the voltage up regulation of a transformer if 240 V is applied at no load condition and 210 V is applied at full load condition?

Ans  A. 21.1%

B. 4.3%

C. 8.9%

D. 14.2%

Question ID : 630680424558

Option 1 ID : 6306801656554

Option 2 ID : 6306801656551

Option 3 ID : 6306801656552

Option 4 ID : 6306801656553

Status : Answered

Chosen Option : D

Q.18 Which of the following is an application of the auto transformer is?

Ans  A. Used as voltage regulator

B. Use as starter of AC motor

C. Used as small booster in distribution cable

D. Used as bulk power transmission

Question ID : 630680424556

Option 1 ID : 6306801656545

Option 2 ID : 6306801656543

Option 3 ID : 6306801656544

Option 4 ID : 6306801656546

Status : Answered

Chosen Option : A

**Q.19** In FET, the value of drain to source voltage, above which the drain current becomes constant is called as \_\_\_\_\_.

- Ans**
- A. Pinch off Voltage
  - B. Final voltage
  - C. Fixed voltage
  - D. Pinch on Voltage

Question ID : **630680424623**  
Option 1 ID : **6306801656812**  
Option 2 ID : **6306801656814**  
Option 3 ID : **6306801656813**  
Option 4 ID : **6306801656811**  
Status : **Answered**  
Chosen Option : **A**

**Q.20** Which of the following is inversely proportional to the generated EMF of DC generator?

- Ans**
- A. Number of pole
  - B. Number of Parallel paths
  - C. Rotation Speed
  - D. Flux per pole

Question ID : **630680424525**  
Option 1 ID : **6306801656419**  
Option 2 ID : **6306801656422**  
Option 3 ID : **6306801656421**  
Option 4 ID : **6306801656420**  
Status : **Answered**  
Chosen Option : **B**

**Q.21** Which type of test is conducted to check whether switches are connected in phase/live cable or not?

- Ans**
- A. Earth and ground test
  - B. Polarity test
  - C. Continuity or open circuit test
  - D. Insulation and leakage test

Question ID : **630680424549**  
Option 1 ID : **6306801656516**  
Option 2 ID : **6306801656517**  
Option 3 ID : **6306801656518**  
Option 4 ID : **6306801656515**  
Status : **Answered**  
Chosen Option : **B**

Q.22 Which of the following is a correct example of an ionic bond material?

- Ans  A. Copper  
 B. Sodium chloride  
 C. Germanium  
 D. Silicon

Question ID : 630680424611  
Option 1 ID : 6306801656764  
Option 2 ID : 6306801656766  
Option 3 ID : 6306801656765  
Option 4 ID : 6306801656763  
Status : Answered  
Chosen Option : B

Q.23 Which of the following insulating materials has the highest dielectric strength?

- Ans  A. Paraffin  
 B. Mica  
 C. Pure water  
 D. Vulcanised rubber

Question ID : 630680424544  
Option 1 ID : 6306801656496  
Option 2 ID : 6306801656497  
Option 3 ID : 6306801656495  
Option 4 ID : 6306801656498  
Status : Answered  
Chosen Option : B

Q.24 Which of the following is INCORRECT in respect of parts of a service connection?

- Ans  A. All cables and equipment  
 B. Control valve use in pipe line  
 C. Load management equipment  
 D. Including all metering equipment

Question ID : 630680424633  
Option 1 ID : 6306801656851  
Option 2 ID : 6306801656854  
Option 3 ID : 6306801656853  
Option 4 ID : 6306801656852  
Status : Answered  
Chosen Option : B



**Q.25** What is the value of resistance of wire at  $0^\circ$  if the resistance of the same wire is  $100\Omega$  at  $40^\circ$  and  $102\Omega$  at  $80^\circ$ ?

- Ans
- A.  $90\Omega$
  - B.  $98\Omega$
  - C.  $99\Omega$
  - D.  $96\Omega$

Question ID : 630680424519  
Option 1 ID : 6306801656396  
Option 2 ID : 6306801656395  
Option 3 ID : 6306801656398  
Option 4 ID : 6306801656397  
Status : Answered  
Chosen Option : B

**Q.26** Which of the following terminology of AC current define one cycle in one second?

- Ans
- A. Peak value
  - B. Frequency
  - C. Time period
  - D. Instantaneous value

Question ID : 630680424554  
Option 1 ID : 6306801656538  
Option 2 ID : 6306801656535  
Option 3 ID : 6306801656536  
Option 4 ID : 6306801656537  
Status : Answered  
Chosen Option : B

**Q.27** Find the arrangement of cells in series and number of row, if voltage required  $9V$  and capacity of  $10AH$  can be made by cells rated at  $1.5V$  and  $2AH$ ?

- Ans
- A. 8 cells, 10 rows
  - B. 4 cell, 8 rows
  - C. 6 cells, 5 rows
  - D. 6cells, 10 rows

Question ID : 630680424513  
Option 1 ID : 6306801656374  
Option 2 ID : 6306801656373  
Option 3 ID : 6306801656372  
Option 4 ID : 6306801656371  
Status : Answered  
Chosen Option : C

**Q.28** What is the highest value in positive or negative side of an alternating wave is called \_\_\_\_\_.

- Ans**
- A. Phase
  - B. Amplitude
  - C. Cycle
  - D. Alternation

Question ID : 630680424553  
Option 1 ID : 6306801656533  
Option 2 ID : 6306801656531  
Option 3 ID : 6306801656534  
Option 4 ID : 6306801656532  
Status : Answered  
Chosen Option : B

**Q.29** Which class of amplifier is tuned amplifier which works in two different operating modes, tuned or untuned?

- Ans**
- A. Class A
  - B. Class AB
  - C. Class B
  - D. Class C

Question ID : 630680424620  
Option 1 ID : 6306801656802  
Option 2 ID : 6306801656799  
Option 3 ID : 6306801656800  
Option 4 ID : 6306801656801  
Status : Answered  
Chosen Option : C

**Q.30** Which is a static devices used to stabilize the utility voltage before feeding it to the connected equipment or appliances?

- Ans**
- A. Current regulator
  - B. Voltage dimer
  - C. Auto transfer
  - D. Voltage Stabilizers

Question ID : 630680424626  
Option 1 ID : 6306801656826  
Option 2 ID : 6306801656823  
Option 3 ID : 6306801656825  
Option 4 ID : 6306801656824  
Status : Answered  
Chosen Option : D

Q.31 \_\_\_\_\_ are used for holding flat objects like thin plates.

- Ans
- A. Long nose pliers
  - B. Side cutting pliers
  - C. Flat nose pliers
  - D. Round nose pliers

Question ID : 630680424488  
Option 1 ID : 6306801656271  
Option 2 ID : 6306801656273  
Option 3 ID : 6306801656272  
Option 4 ID : 6306801656274  
Status : Answered  
Chosen Option : C

Q.32 Which of the following is expressed in mega ohms per cm<sup>2</sup>?

- Ans
- A. Surface resistivity
  - B. Dielectric Strength
  - C. Volume resistivity
  - D. Insulating resistance

Question ID : 630680424543  
Option 1 ID : 6306801656493  
Option 2 ID : 6306801656494  
Option 3 ID : 6306801656491  
Option 4 ID : 6306801656492  
Status : Answered  
Chosen Option : D

Q.33 Which of the following is cheapest protective device?

- Ans
- A. Circuit breaker
  - B. Lightning arrester
  - C. Fuse
  - D. Relay

Question ID : 630680424570  
Option 1 ID : 6306801656601  
Option 2 ID : 6306801656602  
Option 3 ID : 6306801656599  
Option 4 ID : 6306801656600  
Status : Answered  
Chosen Option : C

**Q.34** When only one transistor with associated circuitry is used for amplifying a weak signal, the circuit is known as \_\_\_\_\_.

- Ans**
- A. Single stage transistor amplifier
  - B. Multi biased transistor amplifier
  - C. Multi stage transistor amplifier
  - D. Single biased transistor amplifier

Question ID : 630680424615  
Option 1 ID : 6306801656779  
Option 2 ID : 6306801656782  
Option 3 ID : 6306801656780  
Option 4 ID : 6306801656781  
Status : Answered  
Chosen Option : C

**Q.35** If there is a temperature rise in the insulator, then the resistance of the insulator will \_\_\_\_\_.

- Ans**
- A. not be affected
  - B. increase
  - C. decrease
  - D. not be defined

Question ID : 630680424494  
Option 1 ID : 6306801656297  
Option 2 ID : 6306801656295  
Option 3 ID : 6306801656296  
Option 4 ID : 6306801656298  
Status : Answered  
Chosen Option : C

**Q.36** Which of the following is correct for wave winding when compared with lap winding?

- Ans**
- A. It is used for lower voltage
  - B. It is carry the heavy current
  - C. Minimum parallel path used for high voltage
  - D. It is used large multipolar DC generator

Question ID : 630680424578  
Option 1 ID : 6306801656632  
Option 2 ID : 6306801656631  
Option 3 ID : 6306801656634  
Option 4 ID : 6306801656633  
Status : Answered  
Chosen Option : C

**Q.37** Which of the following conditions of relative motion is INCORRECT for an alternator to produce the alternating supply?

**Ans**  A.

The conductor is in stand still condition and magnetic field source is moving.

B.

The magnetic field is in stand still condition and the conductor is moving within the field area.

C.

The conductor is in stand still condition and the magnetic field source is in stand still condition but the intensity of the magnetic field is varying.

D.

The conductor is in stand still condition and magnetic field source is in stand still condition.

Question ID : 630680424560

Option 1 ID : 6306801656561

Option 2 ID : 6306801656559

Option 3 ID : 6306801656562

Option 4 ID : 6306801656560

Status : Answered

Chosen Option : D

**Q.38** Why a set of inter-poles or commutating poles is usually placed mid-way between the main poles of a DC machine?

**Ans**  A. To counter the effect of armature reaction

B. Reduction vibration effect

C. Produce the higher strength of flux

D. Reduction breaking effect

Question ID : 630680424528

Option 1 ID : 6306801656432

Option 2 ID : 6306801656433

Option 3 ID : 6306801656431

Option 4 ID : 6306801656434

Status : Answered

Chosen Option : A

**Q.39** Which type of temperature variation shown by insulator resistance?

**Ans**  A. Zero temperature coefficient

B. Positive temperature coefficient

C. Negative temperature coefficient

D. Unit temperature coefficient

Question ID : 630680424518

Option 1 ID : 6306801656393

Option 2 ID : 6306801656391

Option 3 ID : 6306801656392

Option 4 ID : 6306801656394

Status : Answered

Chosen Option : C

**Q.40** Which of the following is a correct chemical change done on positive plate during recharging of nickel iron cell?

- Ans
- A.  $\text{Fe}(\text{OH})_2$
  - B.  $\text{Ni}(\text{OH})_4$
  - C.  $\text{Ni}(\text{OH})_2$
  - D. Fe

Question ID : 630680424508  
Option 1 ID : 6306801656352  
Option 2 ID : 6306801656353  
Option 3 ID : 6306801656351  
Option 4 ID : 6306801656354  
Status : Answered  
Chosen Option : C

**Q.41** A closed path followed by magnetic flux is called \_\_\_\_\_.

- Ans
- A. Transformer
  - B. Magneto motive force
  - C. Electric circuit
  - D. Magnetic circuit

Question ID : 630680424515  
Option 1 ID : 6306801656380  
Option 2 ID : 6306801656382  
Option 3 ID : 6306801656379  
Option 4 ID : 6306801656381  
Status : Answered  
Chosen Option : D

**Q.42** Which of the following represents the relationship between induced EMF and armature current of a DC generator?

- Ans
- A. Short circuit characteristic
  - B. Open circuit characteristic
  - C. External characteristic
  - D. Internal or total characteristic

Question ID : 630680424530  
Option 1 ID : 6306801656440  
Option 2 ID : 6306801656439  
Option 3 ID : 6306801656442  
Option 4 ID : 6306801656441  
Status : Answered  
Chosen Option : D

**Q.43** What is the efficiency of induction motor, if the input of machine is 150W and the losses is 15W?

- Ans**  A. 90%  
 B. 80%  
 C. 85%  
 D. 95%

Question ID : 630680424586  
Option 1 ID : 6306801656664  
Option 2 ID : 6306801656666  
Option 3 ID : 6306801656665  
Option 4 ID : 6306801656663  
Status : Answered  
Chosen Option : A

**Q.44** Which of the following statement is incorrect for DC machine?

- Ans**  A. Easily speed change over a wide range  
 B. Good speed regulation  
 C. Torque speed characteristics provide for wide range  
 D. Retaining low efficiency

Question ID : 630680424531  
Option 1 ID : 6306801656443  
Option 2 ID : 6306801656444  
Option 3 ID : 6306801656446  
Option 4 ID : 6306801656445  
Status : Answered  
Chosen Option : D

**Q.45** Which of the following class of amplifier has lower efficiency?

- Ans**  A. Class B  
 B. Class C  
 C. Class AB  
 D. Class A

Question ID : 630680424619  
Option 1 ID : 6306801656796  
Option 2 ID : 6306801656797  
Option 3 ID : 6306801656798  
Option 4 ID : 6306801656795  
Status : Answered  
Chosen Option : D

**Q.46** What is the instantaneous power at  $t = 0$ , if an alternating current  $I = 2 \sin 100\pi t$  is flowing through  $20\Omega$  resistance?

- Ans
- A. 56.5W
  - B. 5.6 W
  - C. 45.3 W
  - D. 0 W

Question ID : 630680424555  
Option 1 ID : 6306801656539  
Option 2 ID : 6306801656541  
Option 3 ID : 6306801656540  
Option 4 ID : 6306801656542  
Status : Answered  
Chosen Option : D

**Q.47** A coil introduced in a circuit behaves like a \_\_\_\_\_.

- Ans
- A. Variance
  - B. Inductor
  - C. Capacitor
  - D. Resistance

Question ID : 630680424613  
Option 1 ID : 6306801656774  
Option 2 ID : 6306801656772  
Option 3 ID : 6306801656773  
Option 4 ID : 6306801656771  
Status : Answered  
Chosen Option : B

**Q.48** Which of the following is correct for electric drives?

- Ans
- A. Pollute the environment
  - B. Operate in only one quadrants of speed torque plane
  - C. Wide range torque, speed and power
  - D. control characteristics of these drives are fixed

Question ID : 630680424630  
Option 1 ID : 6306801656842  
Option 2 ID : 6306801656841  
Option 3 ID : 6306801656839  
Option 4 ID : 6306801656840  
Status : Answered  
Chosen Option : C



Q.49 Which of the following personal protective equipment is represented by PPE 5?

- Ans
- A. Respiratory protective equipment
  - B. Ears protection equipment
  - C. Eyes and face protection equipment
  - D. Helmet

Question ID : 630680424487  
Option 1 ID : 6306801656268  
Option 2 ID : 6306801656270  
Option 3 ID : 6306801656269  
Option 4 ID : 6306801656267  
Status : Answered  
Chosen Option : C

Q.50 Which type of starting method does not use external power for synchronous motor?

- Ans
- A. Use induction motor
  - B. Use prime mover
  - C. Use damper winding
  - D. Use penny motor

Question ID : 630680424582  
Option 1 ID : 6306801656649  
Option 2 ID : 6306801656647  
Option 3 ID : 6306801656650  
Option 4 ID : 6306801656648  
Status : Answered  
Chosen Option : C

Q.51 Synchronous motor has the unique characteristics of operating under \_\_\_\_\_ electrical power factor.

- Ans
- A. Leading
  - B. Unity
  - C. Lagging
  - D. Any

Question ID : 630680424584  
Option 1 ID : 6306801656657  
Option 2 ID : 6306801656655  
Option 3 ID : 6306801656656  
Option 4 ID : 6306801656658  
Status : Answered  
Chosen Option : D

**Q.52** In N-type semiconductor, the free electrons are called the \_\_\_\_\_ carriers, and the holes \_\_\_\_\_ carriers.

- Ans**
- A. Minority, majority
  - B. Motion, non-motion
  - C. Lightly, heavily
  - D. Majority, minority

Question ID : 630680424612  
Option 1 ID : 6306801656767  
Option 2 ID : 6306801656769  
Option 3 ID : 6306801656770  
Option 4 ID : 6306801656768  
Status : Answered  
Chosen Option : D

**Q.53** Which of the following is given correct positive phase sequence of phases of that names are R, Y and B?

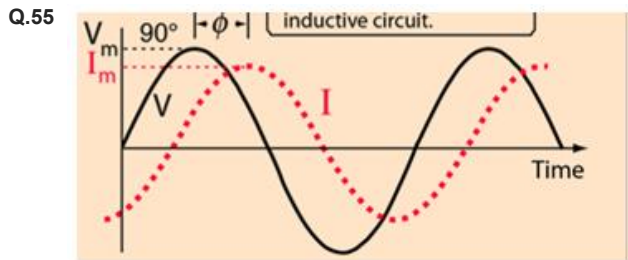
- Ans**
- A. RYB, YRB , BRY
  - B. RBY, BYR, YRB
  - C. RYB, YBR, BRY
  - D. RYB, YBR, BYR

Question ID : 630680424565  
Option 1 ID : 6306801656581  
Option 2 ID : 6306801656582  
Option 3 ID : 6306801656579  
Option 4 ID : 6306801656580  
Status : Answered  
Chosen Option : C

**Q.54** Which type of preventer mechanism is use the bimetal relays for single phasing protection?

- Ans**
- A. Current sensing
  - B. Direction detection
  - C. Voltage sensing
  - D. Mechanical

Question ID : 630680424591  
Option 1 ID : 6306801656684  
Option 2 ID : 6306801656686  
Option 3 ID : 6306801656685  
Option 4 ID : 6306801656683  
Status : Answered  
Chosen Option : C



According to above wave diagram, which of the following is correct?

- Ans
- A. V leads I with the angle of  $90^\circ$
  - B. V lags I with the angle of  $\phi$
  - C. V leads I with the angle of  $\phi$
  - D. I lags V with the angle of  $90^\circ$

Question ID : 630680424568

Option 1 ID : 6306801656591

Option 2 ID : 6306801656594

Option 3 ID : 6306801656592

Option 4 ID : 6306801656593

Status : Answered

Chosen Option : C

Q.56 Energy meters should be used in \_\_\_\_\_.

- Ans
- A. In level position
  - B. Horizontal position
  - C. Inclined position
  - D. Vertical position

Question ID : 630680424632

Option 1 ID : 6306801656850

Option 2 ID : 6306801656849

Option 3 ID : 6306801656848

Option 4 ID : 6306801656847

Status : Answered

Chosen Option : D

Q.57 In an electrical measuring instrument, a control produces a control torque in proportion to the \_\_\_\_\_.

- Ans
- A. Weight of instrument
  - B. Pointer displacement
  - C. Applied voltage
  - D. Flowing current

Question ID : 630680424563

Option 1 ID : 6306801656574

Option 2 ID : 6306801656573

Option 3 ID : 6306801656572

Option 4 ID : 6306801656571

Status : Answered

Chosen Option : D

**Q.58** Which of the following is correct advantage of using a large number of poles in dc machine?

- Ans**
- A. Increase the flux per pole
  - B. Increasing field ampere turns
  - C. Reduce the weight of machine
  - D. Length of magnetic circuit is increase

Question ID : 630680424534

Option 1 ID : 6306801656455

Option 2 ID : 6306801656458

Option 3 ID : 6306801656456

Option 4 ID : 6306801656457

Status : Answered

Chosen Option : A

**Q.59** Which of the following is correct for UJT?

- Ans**
- A. It has two terminals and one junction device.
  - B. It has three terminals and one junction device.
  - C. It has three terminals and two junction devices.
  - D. It has two terminals and two junction devices.

Question ID : 630680424622

Option 1 ID : 6306801656807

Option 2 ID : 6306801656809

Option 3 ID : 6306801656810

Option 4 ID : 6306801656808

Status : Answered

Chosen Option : B

**Q.60** Synchronous motor is used as \_\_\_\_\_ to improve power factor of transmission line?

- Ans**
- A. Synchronous condenser
  - B. non -excited synchronous generator
  - C. Brushless motor
  - D. Full load operated synchronous motor

Question ID : 630680424599

Option 1 ID : 6306801656718

Option 2 ID : 6306801656717

Option 3 ID : 6306801656716

Option 4 ID : 6306801656715

Status : Answered

Chosen Option : A

**Q.61** What will be the slip of an induction motor, if the running speed of rotor is 1425 rpm but the synchronous speed is 1500 rpm?

- Ans**  A. 0.05  
 B. 0.15  
 C. 0.75  
 D. 0.08

Question ID : 630680424590  
Option 1 ID : 6306801656680  
Option 2 ID : 6306801656681  
Option 3 ID : 6306801656682  
Option 4 ID : 6306801656679  
Status : Answered  
Chosen Option : A

**Q.62** In houses supply the voltage 240V at 50Hz in India then 240V is the \_\_\_\_\_ of alternating voltage.

- Ans**  A. Peak value  
 B. RMS value  
 C. Average value  
 D. RMS to Average value

Question ID : 630680424566  
Option 1 ID : 6306801656585  
Option 2 ID : 6306801656584  
Option 3 ID : 6306801656583  
Option 4 ID : 6306801656586  
Status : Answered  
Chosen Option : B

**Q.63** The action of armature flux on the main flux is known as \_\_\_\_\_.

- Ans**  A. Armature reaction  
 B. Speed reaction  
 C. Field reaction  
 D. Machine reaction

Question ID : 630680424527  
Option 1 ID : 6306801656429  
Option 2 ID : 6306801656430  
Option 3 ID : 6306801656427  
Option 4 ID : 6306801656428  
Status : Answered  
Chosen Option : A

Q.64 Which of the following is correct for distribution board type wiring system?

- Ans
- A. Cheapest than other system
  - B. Not required skilled labor
  - C. Fault location is difficult
  - D. All loads are connected across the same voltage

Question ID : 630680424548

Option 1 ID : 6306801656514

Option 2 ID : 6306801656513

Option 3 ID : 6306801656512

Option 4 ID : 6306801656511

Status : Answered

Chosen Option : D

Q.65 Most AC generators are designed as 3-phase AC generators because of its \_\_\_\_\_.

- Ans
- A. Compact size
  - B. Voltage level
  - C. Power quality
  - D. Lower efficiency

Question ID : 630680424561

Option 1 ID : 6306801656564

Option 2 ID : 6306801656565

Option 3 ID : 6306801656566

Option 4 ID : 6306801656563

Status : Answered

Chosen Option : B

Q.66 Which of the following is used to obtain fixed DC supply from the AC supply of fixed voltage?

- Ans
- A. Inverters
  - B. AC regulators
  - C. AC to DC converters
  - D. DC Chopper

Question ID : 630680424627

Option 1 ID : 6306801656830

Option 2 ID : 6306801656828

Option 3 ID : 6306801656827

Option 4 ID : 6306801656829

Status : Answered

Chosen Option : C

**Q.67** Complete reversal of current in a coil at a uniform rate as the coil passes the brush is called \_\_\_\_\_.

- Ans**
- A. ideal commutation
  - B. ideal machine
  - C. ideal transmission
  - D. ideal servicing

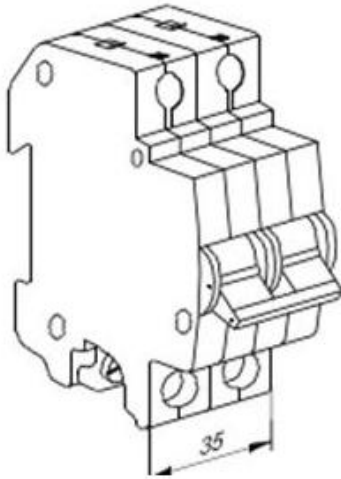
Question ID : 630680424529  
Option 1 ID : 6306801656436  
Option 2 ID : 6306801656438  
Option 3 ID : 6306801656435  
Option 4 ID : 6306801656437  
Status : Answered  
Chosen Option : A

**Q.68** Which of the following is used for protecting the cable ends connected to a vibrating machine inter connected between switchgear and distribution boards?

- Ans**
- A. Flexible conduits
  - B. Rigid steel conduits
  - C. PVC conduit
  - D. Rigid non-metallic conduits

Question ID : 630680424607  
Option 1 ID : 6306801656749  
Option 2 ID : 6306801656747  
Option 3 ID : 6306801656750  
Option 4 ID : 6306801656748  
Status : Answered  
Chosen Option : A

Q.69



Identify the above given MCB type?

- Ans  A. 2 pole  
 B. Single pole  
 C. 4 pole  
 D. 3 pole

Question ID : 630680424547

Option 1 ID : 6306801656508

Option 2 ID : 6306801656507

Option 3 ID : 6306801656510

Option 4 ID : 6306801656509

Status : Answered

Chosen Option : A

Q.70



Identify the warning sign shown in the given figure.

- Ans  A. General warning - risk of danger  
 B. Risk of ionising  
 C. Risk of explosion  
 D. Overhead hazard

Question ID : 630680424485

Option 1 ID : 6306801656260

Option 2 ID : 6306801656259

Option 3 ID : 6306801656261

Option 4 ID : 6306801656262

Status : Answered

Chosen Option : C



Q.71 Nickel iron cell efficiency is \_\_\_\_\_ than lead acid cell and the EMF is \_\_\_\_\_ in comparison to lead acid cell.

- Ans
- A. Higher, high
  - B. Lower, high
  - C. Higher, low
  - D. Lower, low

Question ID : 630680424511  
Option 1 ID : 6306801656363  
Option 2 ID : 6306801656366  
Option 3 ID : 6306801656364  
Option 4 ID : 6306801656365  
Status : Answered  
Chosen Option : D

Q.72 Which type of circuit breaker, builds up thousands of times higher dielectric strength between contacts when compared with other types of circuit breakers?

- Ans
- A. SF<sub>6</sub> circuit breaker
  - B. Oil circuit breaker
  - C. Vacuum circuit breaker
  - D. Air blast circuit breaker

Question ID : 630680424608  
Option 1 ID : 6306801656751  
Option 2 ID : 6306801656754  
Option 3 ID : 6306801656753  
Option 4 ID : 6306801656752  
Status : Answered  
Chosen Option : A

Q.73 The R.M.S value is defined as the square root of means of squares of \_\_\_\_\_.

- Ans
- A. Peak value
  - B. Particular value
  - C. Instantaneous values
  - D. Maximum value

Question ID : 630680424567  
Option 1 ID : 6306801656590  
Option 2 ID : 6306801656587  
Option 3 ID : 6306801656588  
Option 4 ID : 6306801656589  
Status : Answered  
Chosen Option : A

**Q.74** Which of the following connection gives effective resistance of 4 ohm out of the three resistances of 6, 3 and 2 ohm?

**Ans**  A.

The combination of 2 and 3 ohm resistance in parallel and series with 6 ohm

B.

The combination of 6 and 3 ohm resistance in parallel and series with 2 ohm

C. All are connected in series

D. All are connected in parallel

Question ID : 630680424504

Option 1 ID : 6306801656335

Option 2 ID : 6306801656338

Option 3 ID : 6306801656337

Option 4 ID : 6306801656336

Status : Answered

Chosen Option : B

**Q.75** Which of the following is a commercial process for making permanent magnets for speakers, telephones, microphones, etc.?

**Ans**  A. Induction method

B. Touch method

C. Double touch method

D. By Electric Current method

Question ID : 630680424571

Option 1 ID : 6306801656604

Option 2 ID : 6306801656603

Option 3 ID : 6306801656606

Option 4 ID : 6306801656605

Status : Answered

Chosen Option : A

**Q.76** Which of the following has a pointed tip, with a centre hole at the top, for attaching a string?

**Ans**  A. Plumb bob

B. Point square bradawl

C. File

D. Gimlet

Question ID : 630680424489

Option 1 ID : 6306801656275

Option 2 ID : 6306801656276

Option 3 ID : 6306801656277

Option 4 ID : 6306801656278

Status : Answered

Chosen Option : A

Q.77 Which of the following is correct when the internal resistance of a lead-acid cell is increased?

- Ans  A. Spacing between the plates increases.  
 B. Area of the plates increases.  
 C. Spacing between the plates decreases.  
 D. Specific gravity of  $H_2SO_4$  decreases.

Question ID : 630680424507  
Option 1 ID : 6306801656350  
Option 2 ID : 6306801656347  
Option 3 ID : 6306801656348  
Option 4 ID : 6306801656349  
Status : Answered  
Chosen Option : A

Q.78 Around the smaller portion of the pole, a short circuited ring is placed in shaded pole motor known as \_\_\_\_\_.

- Ans  A. Shading winding  
 B. Main winding  
 C. Direct winding  
 D. Running winding

Question ID : 630680424596  
Option 1 ID : 6306801656705  
Option 2 ID : 6306801656703  
Option 3 ID : 6306801656706  
Option 4 ID : 6306801656704  
Status : Answered  
Chosen Option : A

Q.79 Which section of National Electrical Code – 2011 represent covers of guidelines for preparation of diagrams, chart and tables in electro technology and for marking of conductors?

- Ans  A. Section 4  
 B. Section 5  
 C. Section 7  
 D. Section 8

Question ID : 630680424490  
Option 1 ID : 6306801656279  
Option 2 ID : 6306801656280  
Option 3 ID : 6306801656281  
Option 4 ID : 6306801656282  
Status : Answered  
Chosen Option : A

Q.80 Which is incorrect statement for multi-vibrator?

- Ans
- A. Used as use deep positive feedback
  - B. Does not required resistance-capacitance coupling
  - C. Generates a square wave output.
  - D. Turn on and off two electronic devices alternately

Question ID : 630680424621  
Option 1 ID : 6306801656803  
Option 2 ID : 6306801656805  
Option 3 ID : 6306801656806  
Option 4 ID : 6306801656804  
Status : Answered  
Chosen Option : B

Q.81 When two conductors of a multi core cable come in contact with each other due to insulation failure, is called \_\_\_\_\_.

- Ans
- A. Open circuit faculty
  - B. Phase to neutral fault
  - C. Earth fault
  - D. Short circuit fault

Question ID : 630680424610  
Option 1 ID : 6306801656760  
Option 2 ID : 6306801656761  
Option 3 ID : 6306801656762  
Option 4 ID : 6306801656759  
Status : Answered  
Chosen Option : D

Q.82 In a power cable, why is petroleum jelly applied to the layers of the cambric?

- Ans
- A. For the Working for voltage stress.
  - B. To prevent heat.
  - C. To prevent damage.
  - D. For providing high conductance.

Question ID : 630680424500  
Option 1 ID : 6306801656319  
Option 2 ID : 6306801656322  
Option 3 ID : 6306801656320  
Option 4 ID : 6306801656321  
Status : Answered  
Chosen Option : A

**Q.83** Magnets transform energy from one form to another, which of the following is perfect example of Mechanical to heat?

- Ans**
- A. Eddy current and hysteresis torque devices
  - B. Attraction and repulsion.
  - C. Magneto-resistance
  - D. Generators

Question ID : 630680424572  
Option 1 ID : 6306801656609  
Option 2 ID : 6306801656608  
Option 3 ID : 6306801656610  
Option 4 ID : 6306801656607  
Status : Answered  
Chosen Option : D

**Q.84** When the battery is being charged, the vents must be kept open, otherwise the case may \_\_\_\_\_.

- Ans**
- A. short circuited
  - B. get cracked
  - C. get discharged
  - D. form fault

Question ID : 630680424509  
Option 1 ID : 6306801656358  
Option 2 ID : 6306801656356  
Option 3 ID : 6306801656357  
Option 4 ID : 6306801656355  
Status : Answered  
Chosen Option : B

**Q.85** Which type of relay is often used as time-delay relays?

- Ans**
- A. Impulse relay
  - B. Electromagnetic relay
  - C. Clapper-type armature relay
  - D. Thermal relay

Question ID : 630680424606  
Option 1 ID : 6306801656746  
Option 2 ID : 6306801656745  
Option 3 ID : 6306801656743  
Option 4 ID : 6306801656744  
Status : Answered  
Chosen Option : D

**Q.86** The conductor which connects the non-conductive body of an electrical equipment to the earth electrode is called

- Ans
- A. dead wire
  - B. earth continuity conductor
  - C. earth fault
  - D. earthing

Question ID : **630680424552**  
Option 1 ID : **6306801656529**  
Option 2 ID : **6306801656527**  
Option 3 ID : **6306801656530**  
Option 4 ID : **6306801656528**  
Status : **Answered**  
Chosen Option : **B**

**Q.87** Which of the following material is used as low melting point in fuse?

- Ans
- A. Aluminum
  - B. Copper
  - C. Silver
  - D. Tin

Question ID : **630680424609**  
Option 1 ID : **6306801656758**  
Option 2 ID : **6306801656757**  
Option 3 ID : **6306801656756**  
Option 4 ID : **6306801656755**  
Status : **Answered**  
Chosen Option : **D**

**Q.88** Which is the change in terminal voltage when a load current at any power factor is applied, expressed as a fraction of the no-load terminal voltage of a transformer?

- Ans
- A. Voltage up regulation
  - B. Voltage down regulation
  - C. Load regulation
  - D. Power regulation

Question ID : **630680424557**  
Option 1 ID : **6306801656547**  
Option 2 ID : **6306801656548**  
Option 3 ID : **6306801656549**  
Option 4 ID : **6306801656550**  
Status : **Answered**  
Chosen Option : **A**

**Q.89** Which type of fault is produced in ceiling fan due to misalignment?

- Ans
- A. Noise
  - B. Low Speed
  - C. Not starting
  - D. Jamming

Question ID : 630680424522  
Option 1 ID : 6306801656407  
Option 2 ID : 6306801656408  
Option 3 ID : 6306801656410  
Option 4 ID : 6306801656409  
Status : Answered  
Chosen Option : A

**Q.90** For the parallel operation of generator the positive terminal of all the machines must be connected to \_\_\_\_\_ bus bar  
the negative terminals must be connected to the \_\_\_\_\_ bus bar.

- Ans
- A. Negative, negative
  - B. Positive, positive
  - C. Positive, negative
  - D. Negative, positive

Question ID : 630680424539  
Option 1 ID : 6306801656475  
Option 2 ID : 6306801656478  
Option 3 ID : 6306801656477  
Option 4 ID : 6306801656476  
Status : Answered  
Chosen Option : C

**Q.91** Which of the following is an INCORRECT action when casualty is unconscious?

- Ans
- A. loosen the clothing about the neck, chest and waist
  - B. Keep a constant check on the breathing and pulse rate
  - C. Leave an unconscious person unattended.
  - D. Do not give an unconscious person anything to eat or drink

Question ID : 630680424486  
Option 1 ID : 6306801656263  
Option 2 ID : 6306801656264  
Option 3 ID : 6306801656266  
Option 4 ID : 6306801656265  
Status : Answered  
Chosen Option : C

Q.92 Which type of properties is does not consider as insulating property?

- Ans
- A. Thermal Properties
  - B. Electrical property
  - C. Chemical Properties
  - D. Geometrical properties

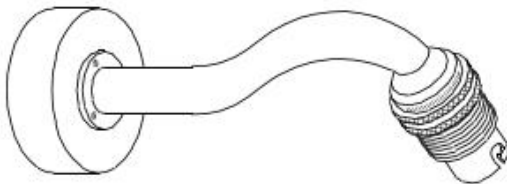
Question ID : 630680424541  
Option 1 ID : 6306801656484  
Option 2 ID : 6306801656483  
Option 3 ID : 6306801656485  
Option 4 ID : 6306801656486  
Status : Answered  
Chosen Option : D

Q.93 The maximum value of shunt field resistance which just excites the shunt generator is called \_\_\_\_\_.

- Ans
- A. Peak resistance
  - B. Critical resistance
  - C. Full load resistance
  - D. Half load resistance

Question ID : 630680424540  
Option 1 ID : 6306801656479  
Option 2 ID : 6306801656480  
Option 3 ID : 6306801656481  
Option 4 ID : 6306801656482  
Status : Answered  
Chosen Option : B

Q.94



Identify the name of the holders given in above diagram?

- Ans
- A. Batten
  - B. Angle
  - C. Bracket
  - D. Pendent

Question ID : 630680424604  
Option 1 ID : 6306801656737  
Option 2 ID : 6306801656735  
Option 3 ID : 6306801656736  
Option 4 ID : 6306801656738  
Status : Answered  
Chosen Option : C



Q.95 Which of the following is correct for an N- type semiconductor?

- Ans
- A. Large number of electrons and large number of holes
  - B. Small number of electrons and large number of holes
  - C. Large number of electrons and small number of holes
  - D. Small number of electrons and small number of holes

Question ID : 630680424492

Option 1 ID : 6306801656287

Option 2 ID : 6306801656289

Option 3 ID : 6306801656288

Option 4 ID : 6306801656290

Status : Answered

Chosen Option : C

Q.96 Which of the following is correct for good illumination?

- Ans
- A. Sufficient light
  - B. Strike the eyes
  - C. Produce glare in the eyes
  - D. Use any shades and reflectors

Question ID : 630680424575

Option 1 ID : 6306801656620

Option 2 ID : 6306801656621

Option 3 ID : 6306801656622

Option 4 ID : 6306801656619

Status : Answered

Chosen Option : A

Q.97 Which of the following reasons is INCORRECT for failure of voltage generation by a shunt generator?

- Ans
- A. Insufficient residual magnetism
  - B. The speed is too low
  - C. The resistance of the field circuit is too low
  - D. Field connections are incorrect

Question ID : 630680424536

Option 1 ID : 6306801656466

Option 2 ID : 6306801656465

Option 3 ID : 6306801656464

Option 4 ID : 6306801656463

Status : Answered

Chosen Option : D

**Q.98** Which of the following is known as ohmic conductor?

- Ans**
- A. Vacuum tube
  - B. Transistors
  - C. Metals
  - D. Electrolytes

Question ID : **630680424502**  
Option 1 ID : **6306801656327**  
Option 2 ID : **6306801656328**  
Option 3 ID : **6306801656330**  
Option 4 ID : **6306801656329**  
Status : **Answered**  
Chosen Option : **C**

**Q.99** What should be done if the universal motor produces humming sound or lack of torque due to overheat?

- Ans**
- A. Clean the bearings and check for damage
  - B. Rewind the field winding
  - C. Rectify the defect and apply shellac varnish to insulation.
  - D. Rectify the loose connections at the switch & fuse

Question ID : **630680424597**  
Option 1 ID : **6306801656709**  
Option 2 ID : **6306801656708**  
Option 3 ID : **6306801656710**  
Option 4 ID : **6306801656707**  
Status : **Answered**  
Chosen Option : **A**

**Q.100** Which of the following is a synchronous motor without salient poles and without DC excitation?

- Ans**
- A. Stepper motor
  - B. Universal motor
  - C. Variable-reluctance motor
  - D. Hysteresis motor

Question ID : **630680424598**  
Option 1 ID : **6306801656711**  
Option 2 ID : **6306801656714**  
Option 3 ID : **6306801656713**  
Option 4 ID : **6306801656712**  
Status : **Answered**  
Chosen Option : **D**

Q.101 Which of the following is the unit of potential difference?

- Ans
- A. Watt hour
  - B. Volt ampere
  - C. Coulomb / second
  - D. Joules / coulomb

Question ID : 630680424493  
Option 1 ID : 6306801656293  
Option 2 ID : 6306801656294  
Option 3 ID : 6306801656291  
Option 4 ID : 6306801656292  
Status : Answered  
Chosen Option : D

Q.102 According to Kirchoff's law, what is the value of current flowing through the  $6\Omega$  resistance when applied voltage is 180V between terminal A and B?

- Ans
- A. 10A
  - B. 5A
  - C. 20A
  - D. 15A

Question ID : 630680424505  
Option 1 ID : 6306801656341  
Option 2 ID : 6306801656342  
Option 3 ID : 6306801656339  
Option 4 ID : 6306801656340  
Status : Marked For Review  
Chosen Option : C

Q.103 Which of the following is disadvantage of low power factor?

- Ans
- A. Reduced losses in the transformers and cables
  - B. Reduction line voltage at point of application
  - C. Reduction in power cost
  - D. Reduction in the current

Question ID : 630680424600  
Option 1 ID : 6306801656721  
Option 2 ID : 6306801656722  
Option 3 ID : 6306801656720  
Option 4 ID : 6306801656719  
Status : Answered  
Chosen Option : B

Q.104 Which of the following alphabet represents the photo-coupler?

- Ans
- A. D
  - B. N
  - C. F
  - D. L

Question ID : 630680424614  
Option 1 ID : 6306801656775  
Option 2 ID : 6306801656778  
Option 3 ID : 6306801656776  
Option 4 ID : 6306801656777  
Status : Not Answered  
Chosen Option : --

Q.105 Which of the following relation between coil pitch  $C_p$  and Pole pitch  $P_p$  represent full pitch winding?

- Ans
- A.  $C_p = P_p$
  - B.  $C_p = 2P_p$
  - C.  $C_p < P_p$
  - D.  $C_p > P_p$

Question ID : 630680424593  
Option 1 ID : 6306801656691  
Option 2 ID : 6306801656694  
Option 3 ID : 6306801656693  
Option 4 ID : 6306801656692  
Status : Answered  
Chosen Option : A

Q.106 As squirrel cage induction motor will have less rotor resistance then starting torque is \_\_\_\_\_ but running torque is \_\_\_\_\_.

- Ans
- A. High, low
  - B. Low, satisfactory
  - C. High, satisfactory
  - D. Low, high

Question ID : 630680424589  
Option 1 ID : 6306801656675  
Option 2 ID : 6306801656677  
Option 3 ID : 6306801656678  
Option 4 ID : 6306801656676  
Status : Answered  
Chosen Option : B

Q.107 Which of the following is correct for Triac?

- Ans
- A. Diode for the alternating current
  - B. Includes two terminals
  - C. Bi-directional and controlled device
  - D. Bi-directional and uncontrolled device

Question ID : 630680424624  
Option 1 ID : 6306801656815  
Option 2 ID : 6306801656816  
Option 3 ID : 6306801656818  
Option 4 ID : 6306801656817  
Status : Answered  
Chosen Option : C

Q.108 What can be the reason for the shock to the operator of the universal motor?

- Ans
- A. Open overload relay of starter
  - B. No voltage due to blown fuse
  - C. Improper contact of carbon brushes with commutator
  - D. Grounded field or armature circuit due to weak insulation

Question ID : 630680424594  
Option 1 ID : 6306801656696  
Option 2 ID : 6306801656695  
Option 3 ID : 6306801656697  
Option 4 ID : 6306801656698  
Status : Answered  
Chosen Option : D

Q.109 According to the rules for under the Indian Electricity Rules-1956 which rule is concerned with high and extra high voltage installation?

- Ans
- A. Rule 65
  - B. Rule 90
  - C. Rule 50
  - D. Rule 32

Question ID : 630680424546  
Option 1 ID : 6306801656505  
Option 2 ID : 6306801656506  
Option 3 ID : 6306801656504  
Option 4 ID : 6306801656503  
Status : Answered  
Chosen Option : C

Q.110 Which of the following represents 20% tolerance in colour code resistance?

- Ans  A. No color  
 B. Green  
 C. Grey  
 D. Gold

Question ID : 630680424499  
Option 1 ID : 6306801656318  
Option 2 ID : 6306801656315  
Option 3 ID : 6306801656317  
Option 4 ID : 6306801656316  
Status : Answered  
Chosen Option : A

Q.111 Which of the following statements is INCORRECT for cell and DC generator?

- Ans  A. No relative losses in cell and frictional, windage losses in generator  
 B. The efficiency of DC generator is more than cell  
 C. Cell is stationary device and generator is rotational device  
 D. Cell changes chemical energy to electrical and generator changes mechanical energy into electrical

Question ID : 630680424510  
Option 1 ID : 6306801656361  
Option 2 ID : 6306801656362  
Option 3 ID : 6306801656360  
Option 4 ID : 6306801656359  
Status : Answered  
Chosen Option : B

Q.112 Which of the following part of a DC machine known as mechanical rectifier?

- Ans  A. Armature winding  
 B. Armature core  
 C. Yoke  
 D. Commutator

Question ID : 630680424532  
Option 1 ID : 6306801656447  
Option 2 ID : 6306801656450  
Option 3 ID : 6306801656449  
Option 4 ID : 6306801656448  
Status : Answered  
Chosen Option : D

Q.113 Which type of cables are used beyond the 66 kV voltage?

- Ans
- A. Single core cables
  - B. Belted cables
  - C. Pressure cables
  - D. Screened cables

Question ID : 630680424501

Option 1 ID : 6306801656326

Option 2 ID : 6306801656323

Option 3 ID : 6306801656325

Option 4 ID : 6306801656324

Status : Answered

Chosen Option : C

Q.114 How many parallel paths are required in 6 pole lap connected triplex DC machine?

- Ans
- A. 3
  - B. 18
  - C. 2
  - D. 36

Question ID : 630680424579

Option 1 ID : 6306801656636

Option 2 ID : 6306801656637

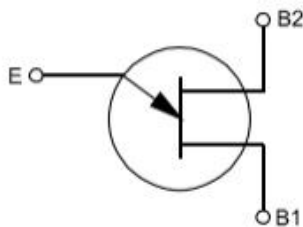
Option 3 ID : 6306801656635

Option 4 ID : 6306801656638

Status : Answered

Chosen Option : B

Q.115



Identify the above symbol name?

- Ans
- A. SCR
  - B. UJT
  - C. FET
  - D. BJT

Question ID : 630680424617

Option 1 ID : 6306801656790

Option 2 ID : 6306801656787

Option 3 ID : 6306801656788

Option 4 ID : 6306801656789

Status : Answered

Chosen Option : B

Q.116 In a transistor base current is usually very small the emitter current is nearly equal to \_\_\_\_\_.

- Ans
- A. Base current
  - B. Collector current
  - C. Sum of base current and avalanche current
  - D. Sum of holding current and base current

Question ID : 630680424616  
 Option 1 ID : 6306801656783  
 Option 2 ID : 6306801656785  
 Option 3 ID : 6306801656784  
 Option 4 ID : 6306801656786  
 Status : Answered  
 Chosen Option : B

Q.117 Which of the following types of losses are considered in the category of Mechanical losses in a DC machine?

- Ans
- A. Armature copper losses
  - B. Friction losses
  - C. Series field winding losses
  - D. Eddy current losses

Question ID : 630680424526  
 Option 1 ID : 6306801656423  
 Option 2 ID : 6306801656425  
 Option 3 ID : 6306801656426  
 Option 4 ID : 6306801656424  
 Status : Answered  
 Chosen Option : B

Q.118



Find the direction of the current flow in the above conductor.

- Ans
- A. B to A
  - B. A to B
  - C. Not defined
  - D. In any direction

Question ID : 630680424517  
 Option 1 ID : 6306801656388  
 Option 2 ID : 6306801656387  
 Option 3 ID : 6306801656390  
 Option 4 ID : 6306801656389  
 Status : Answered  
 Chosen Option : B



Q.119 Which of the following parts of a file is its end that is opposite to tang?

- Ans
- A. Edge
  - B. Face or side
  - C. Heel
  - D. Tip or point

Question ID : 630680424491

Option 1 ID : 6306801656284

Option 2 ID : 6306801656283




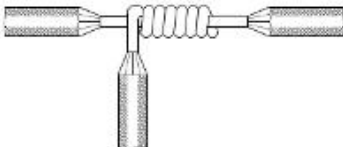
Option 3 ID : 6306801656285

Option 4 ID : 6306801656286

Status : Answered

Chosen Option : D

Q.120 Which type of join is considered as western union joint?

- Ans
- A. 
  - B. 
  - C. 
  - D. 

Question ID : 630680424497

Option 1 ID : 6306801656309

Option 2 ID : 6306801656307

Option 3 ID : 6306801656308

Option 4 ID : 6306801656310

Status : Answered

Chosen Option : B

Q.121 Which of the following works as AC regulator for motor drive?

- Ans
- A. Cycloconverters
  - B. Rectifier
  - C. Semiconductor chopper
  - D. Auto transformer

Question ID : 630680424628

Option 1 ID : 6306801656834

Option 2 ID : 6306801656831

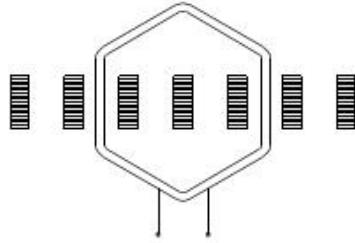
Option 3 ID : 6306801656833

Option 4 ID : 6306801656832

Status : Answered

Chosen Option : A

Q.122



Identify the type of winding shown in above diagram?

- Ans
- A. Chain winding
  - B. Skew winding
  - C. Diamond coil winding
  - D. Involute coil winding

Question ID : 630680424592

Option 1 ID : 6306801656687

Option 2 ID : 6306801656688

Option 3 ID : 6306801656689

Option 4 ID : 6306801656690

Status : Answered

Chosen Option : C

Q.123 Which of the following is incorrect for inductive type tachometer comparing to other?

- Ans
- A. Calibration process is very easy and simple
  - B. Free to maintenance
  - C. Measure the small speed
  - D. Construction is simple and rugged

Question ID : 630680424564

Option 1 ID : 6306801656578

Option 2 ID : 6306801656576

Option 3 ID : 6306801656577

Option 4 ID : 6306801656575

Status : Answered

Chosen Option : B

Q.124 Which is a domestic electrical appliance, which is used to grind the wet grains?

- Ans
- A. Wet grinders
  - B. Pump
  - C. Food mixer
  - D. Blander

Question ID : 630680424521

Option 1 ID : 6306801656404

Option 2 ID : 6306801656405

Option 3 ID : 6306801656406

Option 4 ID : 6306801656403

Status : Answered

Chosen Option : A

Q.125 Which is correct advantage of tree system wiring?

- Ans  A. Small Length of wire is used
- B. The tapings can become loose in aluminum bus bar
- C. Fuses are required at different places
- D. Reach equal voltage level to all ends

Question ID : 630680424605

Option 1 ID : 6306801656740

Option 2 ID : 6306801656742

Option 3 ID : 6306801656741

Option 4 ID : 6306801656739

Status : Answered

Chosen Option : D

Q.126 What is a good earth resistance at earth MEEB bus-bar earthing value?

- Ans  A. not be more than 1 ohm
- B. not be more than 2 ohm
- C. not be more than 10 ohm
- D. not be more than 5 ohm

Question ID : 630680424550

Option 1 ID : 6306801656522

Option 2 ID : 6306801656519

Option 3 ID : 6306801656521

Option 4 ID : 6306801656520

Status : Answered

Chosen Option : A

Q.127 How many diodes is/are used in center tap transformer full wave rectifier?

- Ans  A. Four
- B. Three
- C. Two
- D. One

Question ID : 630680424618

Option 1 ID : 6306801656794

Option 2 ID : 6306801656793

Option 3 ID : 6306801656792

Option 4 ID : 6306801656791

Status : Answered

Chosen Option : C

Q.128 A 60 watt bulb means that it is giving out \_\_\_\_\_ of energy per second.

- Ans
- A. 60 joules
  - B. 30 joules
  - C. 100 joules
  - D. 40 joules

Question ID : 630680424495  
Option 1 ID : 6306801656300  
Option 2 ID : 6306801656302  
Option 3 ID : 6306801656299  
Option 4 ID : 6306801656301  
Status : Answered  
Chosen Option : A

Q.129 V-curve of a synchronous machine shows \_\_\_\_\_

- Ans
- A. The relation between armature current and power factor
  - B. The relation between field current and armature current
  - C. The relation between field current and power factor
  - D. The relation between armature current and applied voltage

Question ID : 630680424601  
Option 1 ID : 6306801656726  
Option 2 ID : 6306801656724  
Option 3 ID : 6306801656723  
Option 4 ID : 6306801656725  
Status : Answered  
Chosen Option : B

Q.130 Which of the following is correct for insulating resistance?

- Ans
- A. Resistance increases with the increase in applied voltage.
  - B.  
The insulation resistance is determined either directly by the voltmeter meter.
  - C. Resistance falls with increase in temperature.
  - D.  
The resistivity of the insulator is higher in the presence of moisture.

Question ID : 630680424542  
Option 1 ID : 6306801656489  
Option 2 ID : 6306801656490  
Option 3 ID : 6306801656487  
Option 4 ID : 6306801656488  
Status : Answered  
Chosen Option : C

**Q.131** Which of the following terms describes the equivalent resistance of a 1 m length conductor, whose cross-section area is  $1\text{m}^2$ ?

- Ans**
- A. Applied voltage
  - B. Resistivity
  - C. Applied current
  - D. Conductivity

Question ID : 630680424498

Option 1 ID : 6306801656313

Option 2 ID : 6306801656312

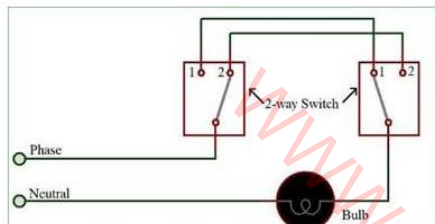
Option 3 ID : 6306801656314

Option 4 ID : 6306801656311

Status : Answered

Chosen Option : B

**Q.132**



Which of the following condition is correct for Bulb is ON condition in above Two way switch circuit?

- Ans**
- A. Can't be done
  - B. First Switch in 2 and second switch in 1 position
  - C. First Switch in 1 and second switch in 2 position
  - D. First Switch in 1 and second switch in 1 position

Question ID : 630680424569

Option 1 ID : 6306801656598

Option 2 ID : 6306801656596

Option 3 ID : 6306801656595

Option 4 ID : 6306801656597

Status : Answered

Chosen Option : D

**Q.133** Which of the following is NOT a characteristic of a DC shunt motor?

- Ans**
- A. Produced very high starting torque Comparing to series motor
  - B. Works with fixed speed at fixed voltage
  - C. DC motor is upturned by the turn around the motor connections like a series motor .
  - D. Rising motor current, torque can be improved without reducing in speed.

Question ID : 630680424580

Option 1 ID : 6306801656642

Option 2 ID : 6306801656639

Option 3 ID : 6306801656640

Option 4 ID : 6306801656641

Status : Answered

Chosen Option : A

Q.134 Which of the following spark controlling method is not used in universal series motor?

- Ans
- A. Compensating winding
  - B. High contact resistance bruises
  - C. Pure copper winding
  - D. Inter poles

Question ID : 630680424595  
Option 1 ID : 6306801656699  
Option 2 ID : 6306801656701  
Option 3 ID : 6306801656702  
Option 4 ID : 6306801656700  
Status : Answered  
Chosen Option : C

Q.135 The internal resistance of a lead acid cell is \_\_\_\_\_.

- Ans
- A. Very small in mili-ohm
  - B. High in upto 10 ohm
  - C. Very high above 100 ohm
  - D. Small in few ohm

Question ID : 630680424506  
Option 1 ID : 6306801656343  
Option 2 ID : 6306801656345  
Option 3 ID : 6306801656346  
Option 4 ID : 6306801656344  
Status : Answered  
Chosen Option : A

Q.136



Identify the form of conductor given above conductor diagram?

- Ans
- A. Twin conductor
  - B. Duplex conductor
  - C. Aluminum conductor with steel reinforced
  - D. Triplex conductor

Question ID : 630680424496  
Option 1 ID : 6306801656303  
Option 2 ID : 6306801656304  
Option 3 ID : 6306801656306  
Option 4 ID : 6306801656305  
Status : Answered  
Chosen Option : D

Q.137 Which of the following is correct statement for magnetic field lines?

Ans  A. Magnetic line never cross each other

B.

Magnetic lines cut each other when flow north pole to south pole

C.

Magnetic line always flow from south pole to north pole outside to magnet

D. Magnetic line attract each other

Question ID : 630680424514

Option 1 ID : 6306801656377

Option 2 ID : 6306801656375

Option 3 ID : 6306801656378

Option 4 ID : 6306801656376

Status : Answered

Chosen Option : A

Q.138 Which of the following is correct statement for simple lap winding in a DC generator?

Ans  A.

Each parallel path has  $Z/2$  conductors in series, Z being total number of armature conductor

B. Emf generated = parallel path/EMF

C.

Total armature current = Number of Poles\* current per parallel path

D. In lap winding only 2 parallel paths

Question ID : 630680424523

Option 1 ID : 6306801656413

Option 2 ID : 6306801656414

Option 3 ID : 6306801656411

Option 4 ID : 6306801656412

Status : Answered

Chosen Option : C

Q.139 Which of the following is an invalid location of the AVR (Automatic Voltage Regulator) for a generator ?

Ans  A. It can be put out of the generating unit station

B. It could be located under the alternators rear cover.

C. It can be in the main control box of the generator

D. It can be in the alternators terminal box

Question ID : 630680424562

Option 1 ID : 6306801656568

Option 2 ID : 6306801656570

Option 3 ID : 6306801656567

Option 4 ID : 6306801656569

Status : Answered

Chosen Option : A

Q.140 Which of the following is correct for slip ring induction motor over squirrel cage?

- Ans
- A. Starting current is high
  - B. Acceleration on load is very good
  - C. Cost very low
  - D. Starting torque is low

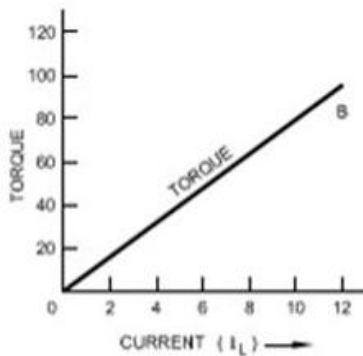
Question ID : 630680424588  
 Option 1 ID : 6306801656672  
 Option 2 ID : 6306801656673  
 Option 3 ID : 6306801656674  
 Option 4 ID : 6306801656671  
 Status : Answered  
 Chosen Option : B

Q.141 A high-rate discharge tester is having three colours: red, yellow and green. What does the yellow colour show?

- Ans
- A. Bad condition of the battery.
  - B. Battery is fully discharged.
  - C. Battery is fully charged.
  - D. Battery is half discharged.

Question ID : 630680424512  
 Option 1 ID : 6306801656370  
 Option 2 ID : 6306801656367  
 Option 3 ID : 6306801656369  
 Option 4 ID : 6306801656368  
 Status : Answered  
 Chosen Option : D

Q.142



Which type of DC motor produces above type of characteristic curve?

- Ans
- A. DC series motor
  - B. DC shunt motor
  - C. DC short shunt compound
  - D. DC long shunt compound

Question ID : 630680424581  
 Option 1 ID : 6306801656644  
 Option 2 ID : 6306801656643  
 Option 3 ID : 6306801656646  
 Option 4 ID : 6306801656645  
 Status : Answered  
 Chosen Option : B



Q.143 The power (in watt) recommended for a power socket outlets (16A) is:

- Ans  A. 500  
 B. 1000  
 C. 60  
 D. 100

Question ID : 630680424634  
Option 1 ID : 6306801656857  
Option 2 ID : 6306801656858  
Option 3 ID : 6306801656855  
Option 4 ID : 6306801656856  
Status : Answered  
Chosen Option : B

Q.144 Which is correct amount of emergent produced in downward by General diffused Lighting systems?

- Ans  A. 50%  
 B. 60%  
 C. 100%  
 D. 80%

Question ID : 630680424576  
Option 1 ID : 6306801656626  
Option 2 ID : 6306801656625  
Option 3 ID : 6306801656623  
Option 4 ID : 6306801656624  
Status : Answered  
Chosen Option : B

Q.145 Which of the following controlling accessory is a four terminal device capable of making or breaking two connections from two position?

- Ans  A. Single pole, two-way switch  
 B. Double pole switch  
 C. Intermediate switch  
 D. Pull switch

Question ID : 630680424603  
Option 1 ID : 6306801656731  
Option 2 ID : 6306801656734  
Option 3 ID : 6306801656732  
Option 4 ID : 6306801656733  
Status : Answered  
Chosen Option : C

Q.146 The advantage of insulated gate bipolar transistor device over a BJT or MOSFET is that it offers \_\_\_\_\_.

- Ans
- A. Greater power gain
  - B. Higher controlling
  - C. Greater speed
  - D. Lower impedance

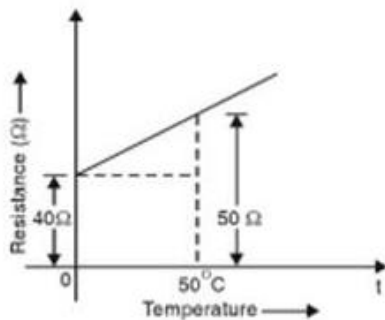
Question ID : 630680424625  
 Option 1 ID : 6306801656820  
 Option 2 ID : 6306801656819  
 Option 3 ID : 6306801656821  
 Option 4 ID : 6306801656822  
 Status : Answered  
 Chosen Option : C

Q.147 In a lap winding the commutator pitch is \_\_\_\_\_ whereas for wave winding it is about \_\_\_\_\_ pole pitch?

- Ans
- A. One; twice
  - B. One; one
  - C. Twice; twice
  - D. Twice; one

Question ID : 630680424533  
 Option 1 ID : 6306801656453  
 Option 2 ID : 6306801656451  
 Option 3 ID : 6306801656454  
 Option 4 ID : 6306801656452  
 Status : Answered  
 Chosen Option : B

Q.148



Find the  $\alpha_{50}$  (temperature coefficient) from above graph?

- Ans
- A.  $0.012/^\circ\text{C}$
  - B.  $0.004/^\circ\text{C}$
  - C.  $0.002/^\circ\text{C}$
  - D.  $0.008/^\circ\text{C}$

Question ID : 630680424520  
 Option 1 ID : 6306801656402  
 Option 2 ID : 6306801656400  
 Option 3 ID : 6306801656399  
 Option 4 ID : 6306801656401  
 Status : Answered  
 Chosen Option : B

**Q.149** In lap design dc machine the parallel path is taken as \_\_\_\_\_ and current carrying capacity is \_\_\_\_\_.

- Ans**
- A. Number of pole, low
  - B. Two, low
  - C. Number of poles, high
  - D. Two, high

Question ID : 630680424524  
Option 1 ID : 6306801656418  
Option 2 ID : 6306801656416  
Option 3 ID : 6306801656417  
Option 4 ID : 6306801656415  
Status : Answered  
Chosen Option : C

**Q.150** Which of the following information does not mention on the name plate of dc generator?

- Ans**
- A. Output voltage
  - B. Speed
  - C. Armature winding resistance
  - D. Permissible temperature

Question ID : 630680424538  
Option 1 ID : 6306801656472  
Option 2 ID : 6306801656473  
Option 3 ID : 6306801656471  
Option 4 ID : 6306801656474  
Status : Answered  
Chosen Option : C